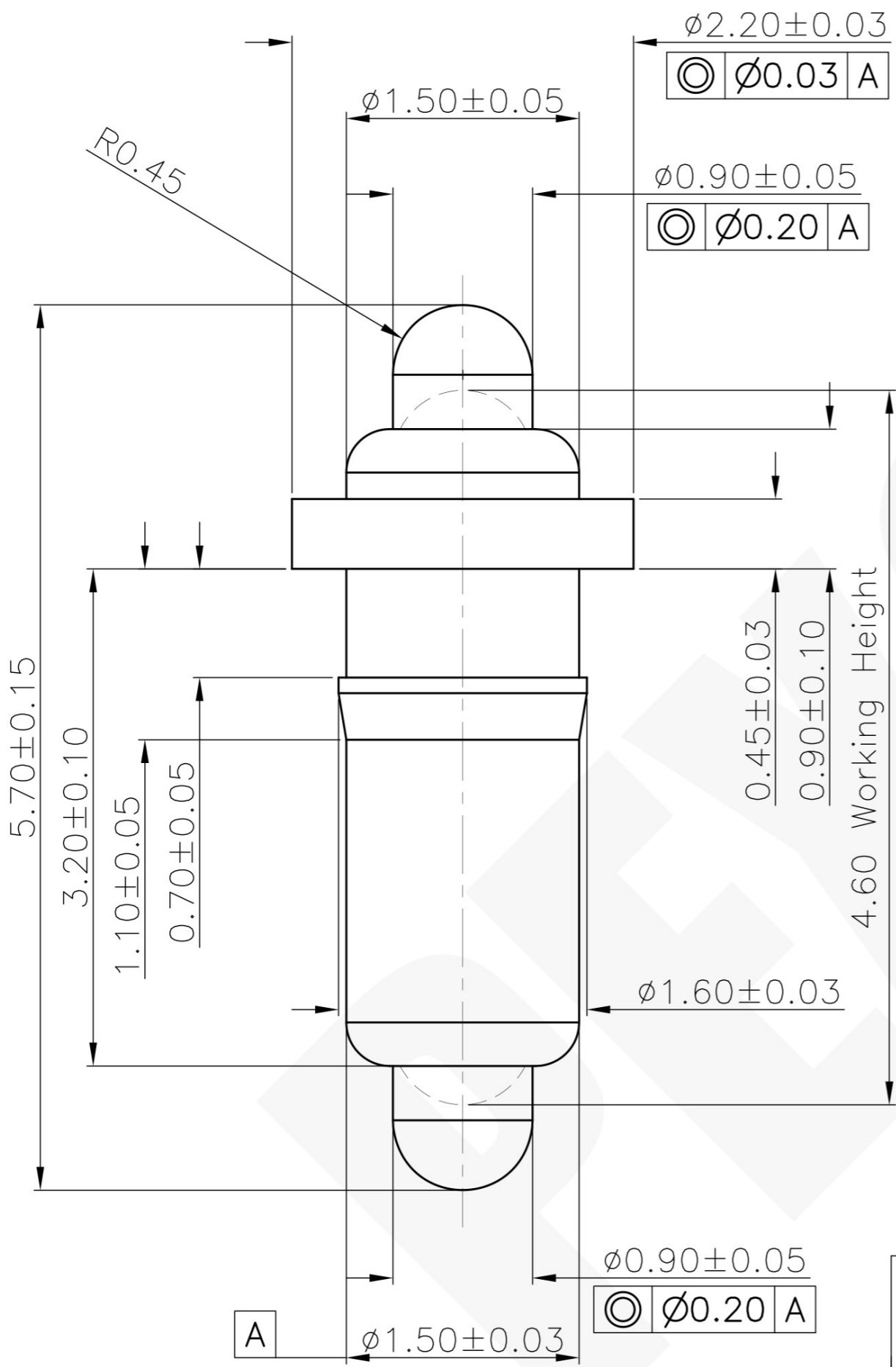


THIS INFORMATION IS CONFIDENTIAL AND IS DISCLOSED TO YOU ON CONDITION THAT NO FURTHER DISCLOSURE IS MADE BY YOU TO OTHER THAN PEXON PERSONNEL WITHOUT WRITTEN AUTHORIZATION FROM PEXON LTD.



- Notes:
- Dimensions shall be interpreted per ASME Y14.5M.
 - Mechanical performance(See the table 1)
 - <2.1>The force is the average of forces obtained when plunger goes downwards and upwards.
 - <2.2>Warning:Working height are not permitted to be less than Min working height.
 - Electrical performance
 - <3.1>Current rating: 1.5A
 - <3.2>Voltage rating: 36VAC/DC
 - <3.3>Dynamic Resistance: 30mOhm Max. (between max and min working height)
 - Environmental performance
 - <4.1>RoHS compliant.
 - <4.2>Salt Spray:48h Min
 - <4.3>Operating Temperature range: -40°C~+85°C
 - <4.4>Withstanding Higt Temperature: 260°C/10Sec
 - Packaging: Bag

Working Height	4.60mm	80gf min.
Durability	10000 Cycles Min.	

3	Body	1	Leaded Brass	Au plating 0.4um min Ni plating 1.4um min
2	Plunger	2	Leaded Brass	Au plating 0.4um min Ni plating 1.4um min
1	Spring	1	Stainless steel wire	-----
Item	Part Name	Q'TY	Material	Finish

Top-Link Electronics Ltd.
 TOLERANCES UNLESS OTHER SPECIFIED
 0. = ± -
 0.0 = ± 0.15
 0.00 = ± 0.10
 0.000 = ± -
 Angle: ±1°
 SURF TEXTURE:
 REMOVE BURRS.
 BREAK SHARP EDGES
 R0.05 MAX.DO NOT SCALE PRINT.

Type	Customer drawing		Unit	mm	<h1>PEXON</h1>
DWN:	Alan		APVD:		
CHK:			REL:		
NAME Pogo PIN					
Scale	1:1	Size	A4	Part NO.	C-20101011541
				Page	1/1
				Rev:	XA

XA	New Release	2016.08.20
Item	Revision record	Date



PEXON

E-mail: sale@pinconnector.com

WhatsApp: +86-13361867201

www.pinconnector.com