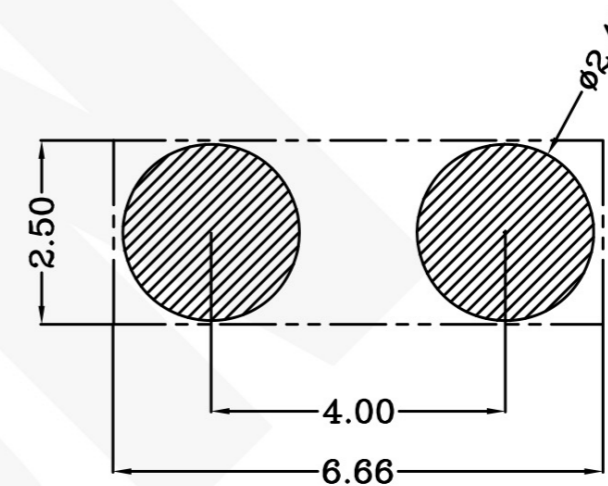
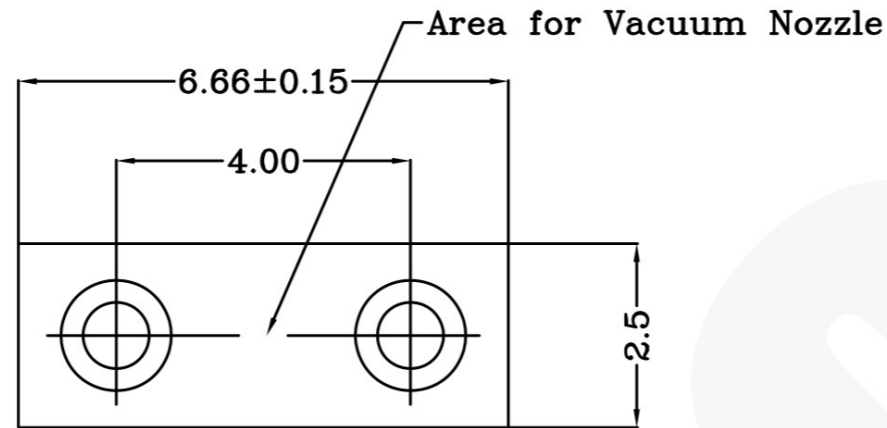


THIS INFORMATION IS CONFIDENTIAL AND IS DISCLOSED TO YOU ON CONDITION THAT NO FURTHER DISCLOSURE IS MADE BY YOU TO OTHER THAN PEXON PERSONNEL WITHOUT WRITTEN AUTHORIZATION FROM PEXON LTD.

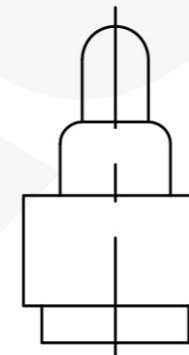
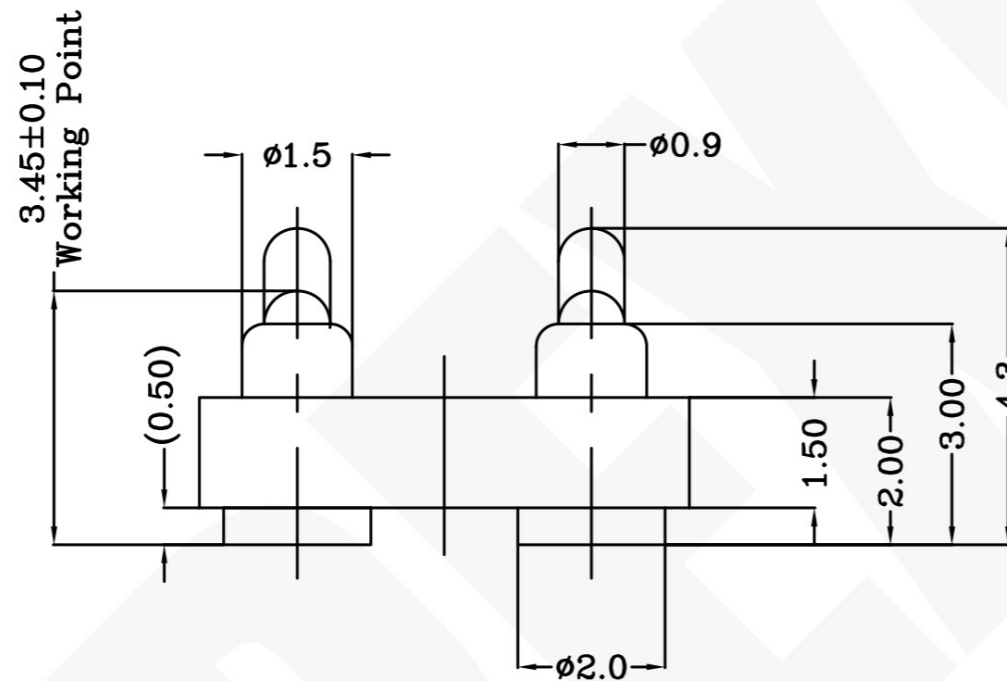
DWG NO.
C-100033



USED ON



Recommended PCB Layout



- Notes:
- Material, Housing: PA 4.6 (30% Glass Filled)
Color Black.
Contact: Brass
 - Mechanical demands:
Plating Plunger: Min. 0.4um Au over 1.4um Ni
Plating Body: Min. 0.1 um Au over 1.4um Ni.
 - Packing: Reel Tape

100033-2

PART NUMBER

FIN

DIMENSIONS IN MM
TOLERANCES UNLESS
OTHER SPECIFIED
0 = ±-
0.0 = ±0.15
0.00 = ±0.10
0.000 = ±
ANGLE: ±1°
SURF TEXTURE: 3.2/
REMOVE BURRS. BREAK
SHARP EDGES R0.05 MAX
DO NOT SCALE PRINT

MATL	<input checked="" type="checkbox"/>	HT TR	-	FIN	<input checked="" type="checkbox"/>
DWN	Benny	APVD	Lansing	PEXON	
CHK	Andy	REL			
NAME BATTERY POGO CONNECTOR 2 POSITIONS PGC-1.5-4.3-R-2P-4.0PH					
SCALE	1:1	A4	DWG NO. C-100033	SHEET	1 OF 1
				REV	D

LDC	-
DIST	-

	Update WH		2007/11/06
LTR	REVISION RECORD	APVD	DATE

4

3

2

1

D

C

B

A



PEXON

E-mail: sale@pinconnector.com

WhatsApp: +86-13361867201

www.pinconnector.com