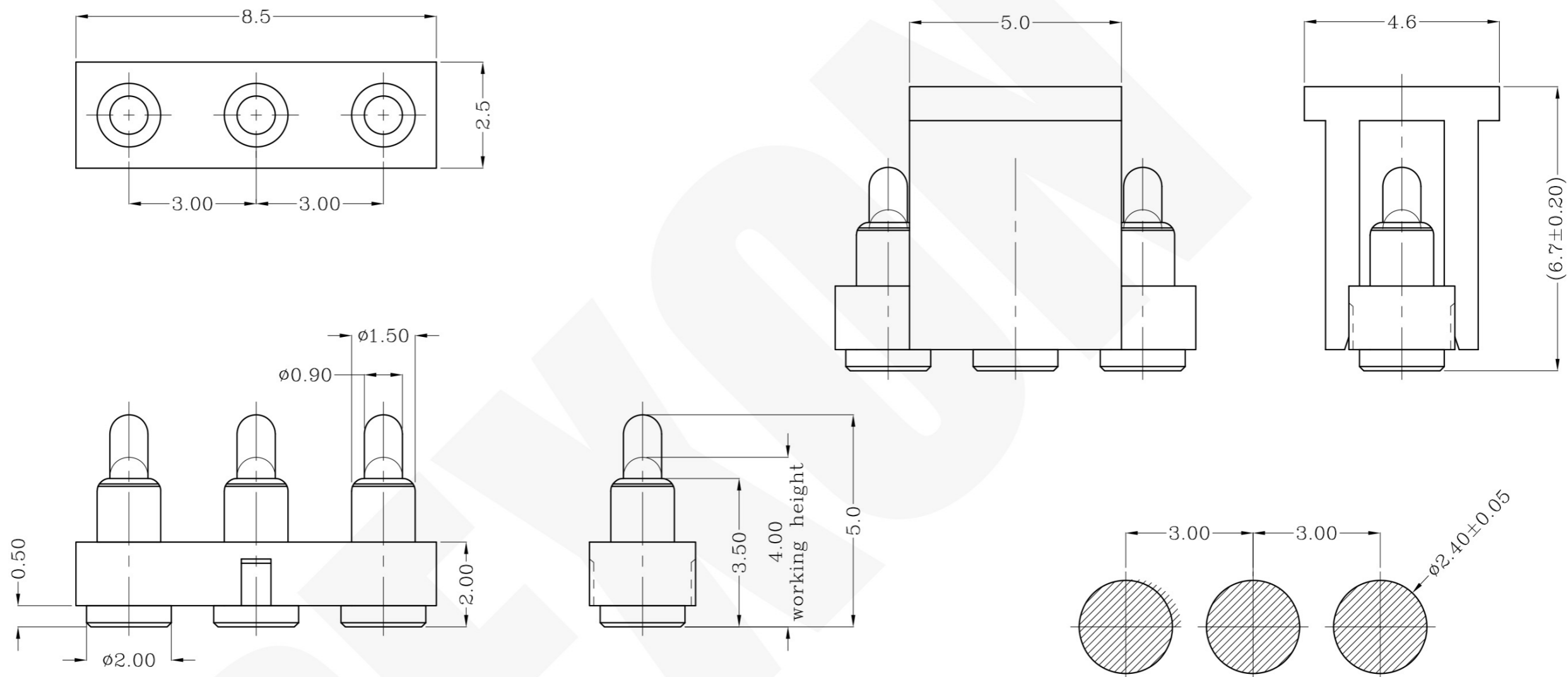


THIS INFORMATION IS CONFIDENTIAL AND IS DISCLOSED TO YOU ON CONDITION THAT NO FURTHER DISCLOSURE IS MADE BY YOU TO OTHER THAN PEXON PERSONNEL WITHOUT WRITTEN AUTHORIZATION FROM PEXON LTD.

DWG NO.
C-100418



USED ON



Notes:

- 1 Material, Housing: PA 4.6 (30% Glass Filled)
Color Black.
Contact: Brass
- 2 Mechanical demands:
Plating Plunger: Min 0.4um Au over 1.4um Ni
Plating Body: Min 0.1um Au over 1.4um Ni.
- 3 Electrical
 - a) Contact resistance: 30mOhm Max.
 - b) Current rating: 2.0A
 - c) Operating voltage: 36VDC
 - d) Force: 150±30gf per pin at 1.00mm stroke

Recommended PCB Layout

100418-3

PART NUMBER

DIMENSIONS IN MM
TOLERANCES UNLESS
OTHER SPECIFIED
0 = ±-
0.0 = ±0.15
0.00 = ±0.10
0.000 = ±
ANGLE: ±1°
SURF TEXTURE: 3.2/
REMOVE BURRS. BREAK
SHARP EDGES R0.05 MAX
DO NOT SCALE PRINT

MATL	$\triangle 1$	HT TR	-	FIN	- ✓
DWN	Qin	APVD		Pexon	
CHK		REL			
NAME	PGG0 3P PGC-1.5-5.0-R-3P-3.0PH				
SCALE	1:1	A4	DWG NO. C-100418	SHEET 1 OF 1	REV B

LDC	-
DIST	-

	NEW		2012/05/25
LTR	REVISION RECORD	APVD	DATE

4

3

2

1

D

C

B

A



PEXON

E-mail: sale@pinconnector.com

WhatsApp: +86-13361867201

www.pinconnector.com