

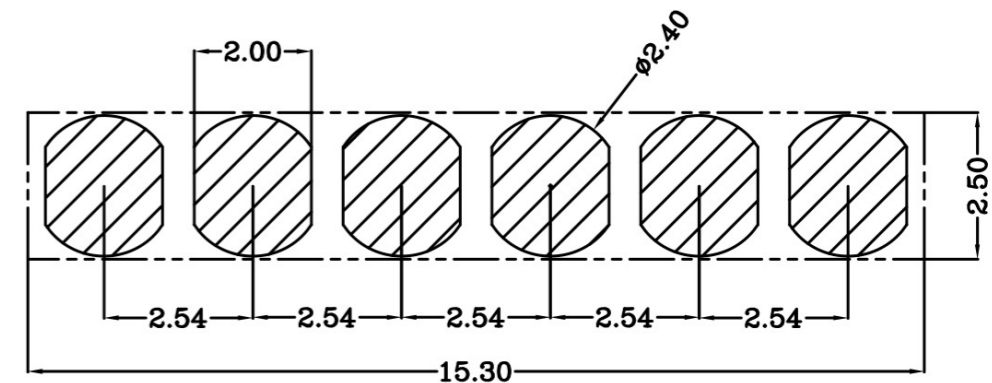
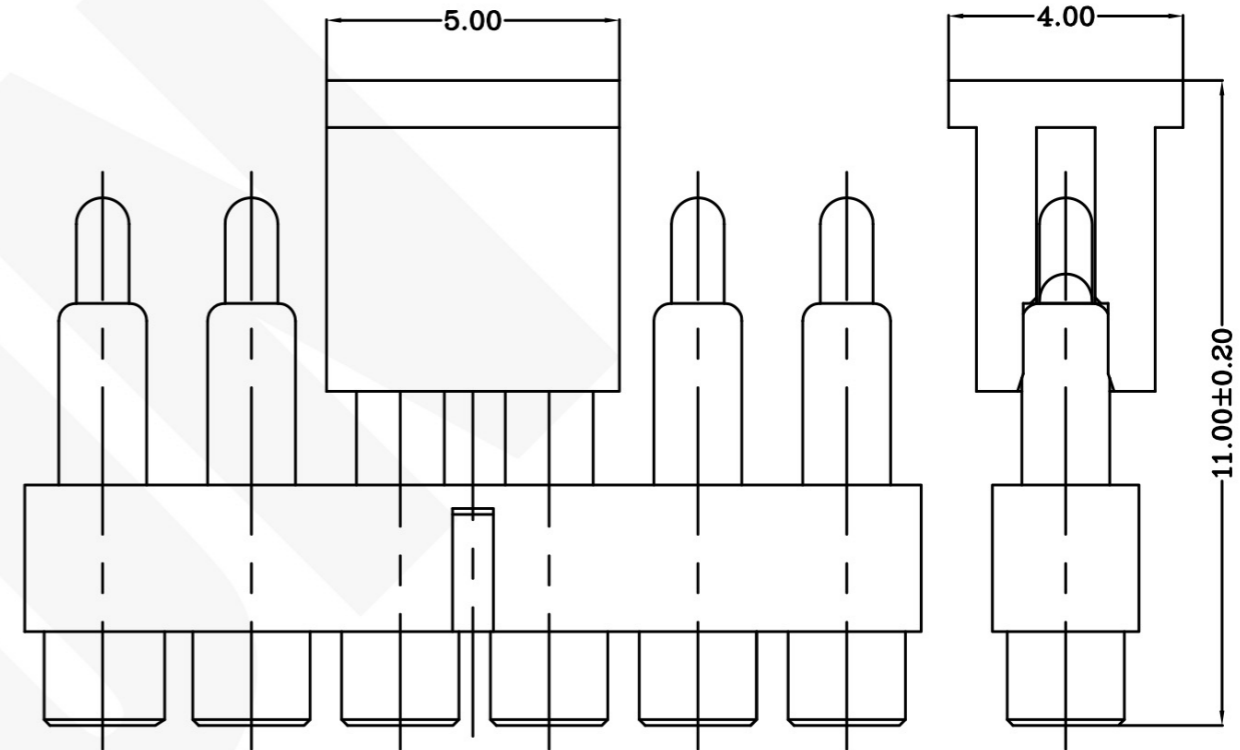
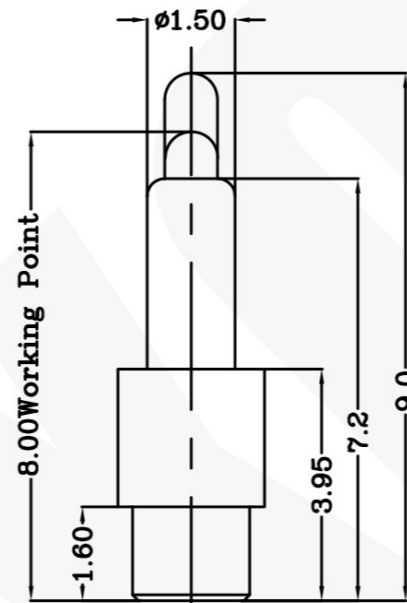
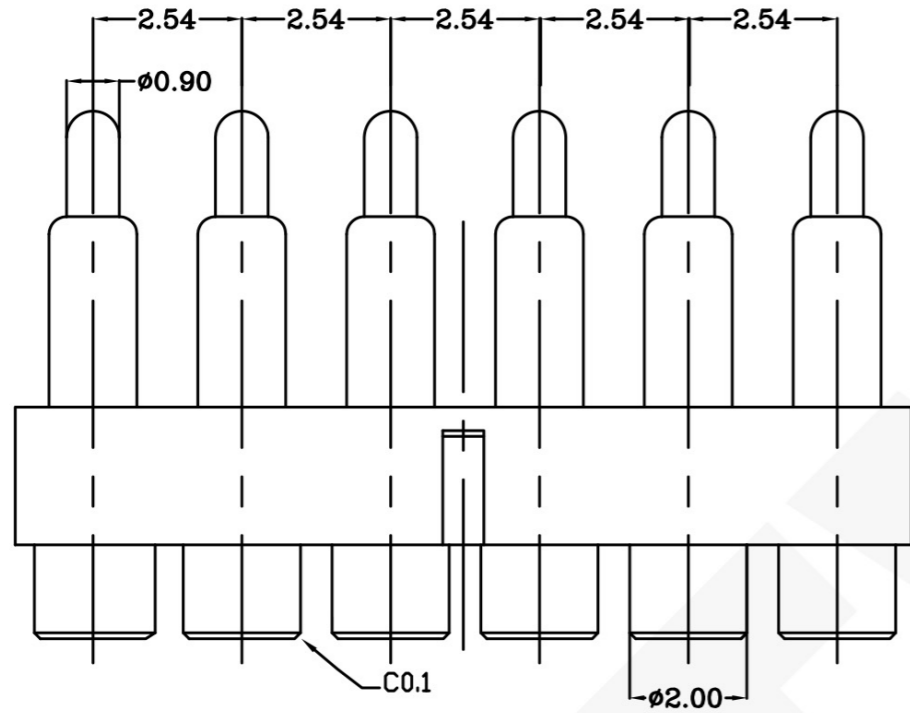
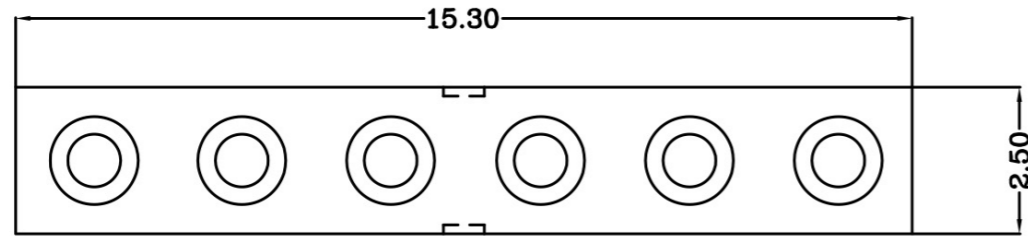
THIS INFORMATION IS CONFIDENTIAL AND IS DISCLOSED TO YOU ON CONDITION THAT NO FURTHER DISCLOSURE IS MADE BY YOU TO OTHER THAN PEXON PERSONNEL WITHOUT WRITTEN AUTHORIZATION FROM PEXON LTD.

DWG NO. C-100350

DWG NO.



USED ON -



Recommended PCB Layout

- Notes:
- Material, Housing: PA 4.6 (30% Glass Filled)
Color Black.
Contact: Brass
 - Mechanical demands:
Plating Plunger: Min 0.4um Au over 1.4um Ni
Plating Body: Min 0.1um Au over 1.4um Ni.

DIMENSIONS IN MM
TOLERANCES UNLESS
OTHER SPECIFIED
0 = ±-
0.0 = ±0.15
0.00 = ±0.10
0.000 = ±
ANGLE: ±1°
SURF TEXTURE: 3.2/
REMOVE BURRS, BREAK
SHARP EDGES R0.05 MAX
DO NOT SCALE PRINT

MATL	HT TR	FIN
DWN Qin	APVD Lansing	FIN ✓
CHK Jim	REL	PEXON
NAME BATTERY POGO CONNECTOR 6 POSITIONS PGC-1.5-9.0-R-6P-2.54PH		
SCALE 1:1	DWG NO. C-100350	SHEET 1 OF 1
A4		REV A

LDC -	NEW	08/06/19
DIST -	REVISION RECORD	APVD DATE

100350-6

PART NUMBER

4

3

2

1

D

C

B

A



PEXON

E-mail: sale@pinconnector.com

WhatsApp: +86-13361867201

www.pinconnector.com