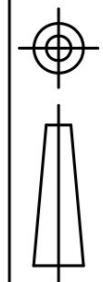
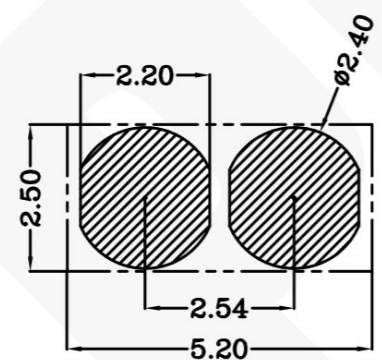
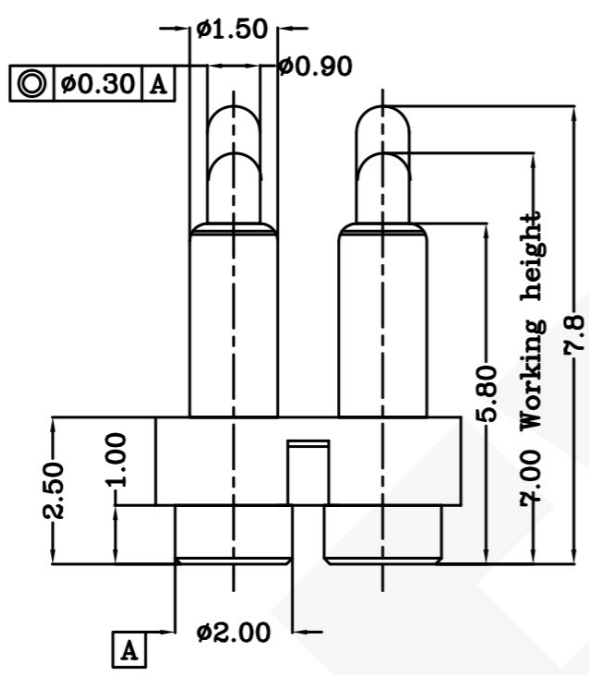
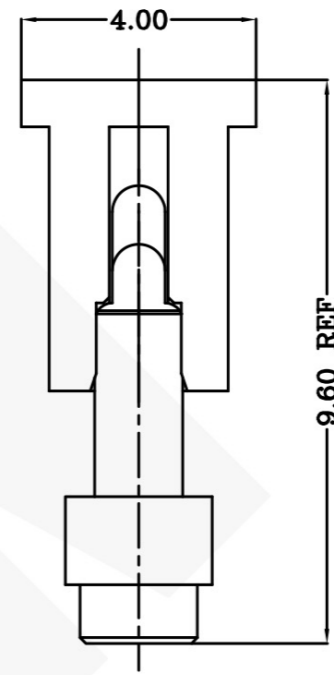
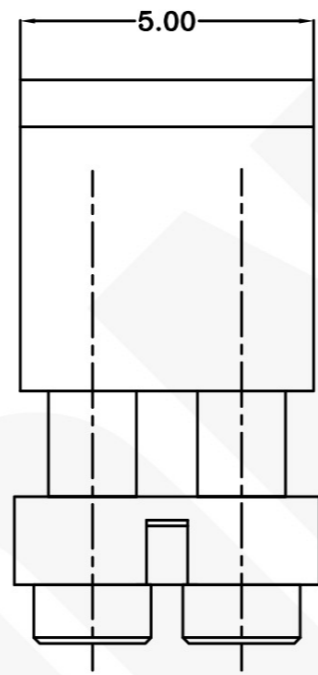
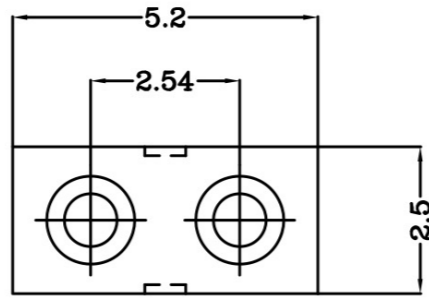


THIS INFORMATION IS CONFIDENTIAL AND IS DISCLOSED TO YOU ON CONDITION THAT NO FURTHER DISCLOSURE IS MADE BY YOU TO OTHER THAN PEXON PERSONNEL WITHOUT WRITTEN AUTHORIZATION FROM PEXON LTD.

DWG NO. C-100636



USED ON -



Recommended PCB Layout

Notes:

- 1 Material(材质):
 Housing: PA 4.6 (30% Glass Filled) Color Black.
 Contact: Brass
 Spring :Stainless steel wire
- 2 Plating:
 1)Body: Min 0.1um Gold plating over min. 1.4um Nickel plating
 (Body: 镀金0.1um Min 镍底1.4um Min)
 2)Plunger: Min 0.4um Gold plating over min. 1.4um Nickel plating
 (Plunger: 镀金0.4um Min 镍底1.4um Min)
- 3 Mechanical:
 Force:120±30gf per pin at 0.8mm stroke
 Total stroke(总行程): 1.90mm
 Durability(寿命): 10,000 cycle min.
- 4 Electrical(电性能)
 Contact resistance(接触抵抗): 50mOhm Max.
 Voltage rating(额定电压): 36V DC Max
 Current rating(额定电流): 2.0A

100636-2
PART NUMBER

DIMENSIONS IN MM TOLERANCES UNLESS OTHER SPECIFIED		MATL	HT TR	FIN
0	= ±-	1	-	-
0.0	= ±0.15	DWN	APVD	Pexon
0.00	= ±0.10	QIn	REL	
0.000	= ±	CHK	REL	NAME POGO PIN CONNECTOR 2 POSITIONS PGC-1.5-7.8-R-2P-2.54PH
ANGLE	±1°			
SURF TEXTURE: 3.2/ REMOVE BURRS. BREAK SHARP EDGES R0.05 MAX DO NOT SCALE PRINT		SCALE	DWG NO.	SHEET
		1:1	A4	1 OF 1
		C-100636		REV A

LTR	REVISION RECORD	APVD	DATE
	NEW		2010/08/17

LDC	-
DIST	-

D
C
B
A



PEXON

E-mail: sale@pinconnector.com

WhatsApp: +86-13361867201

www.pinconnector.com