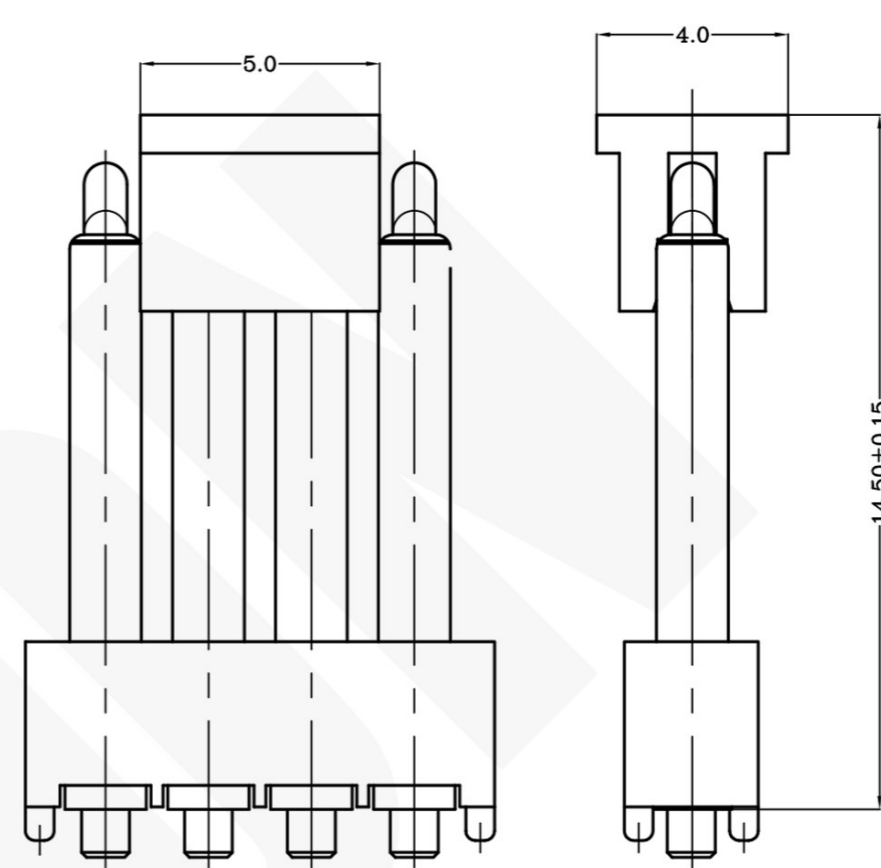
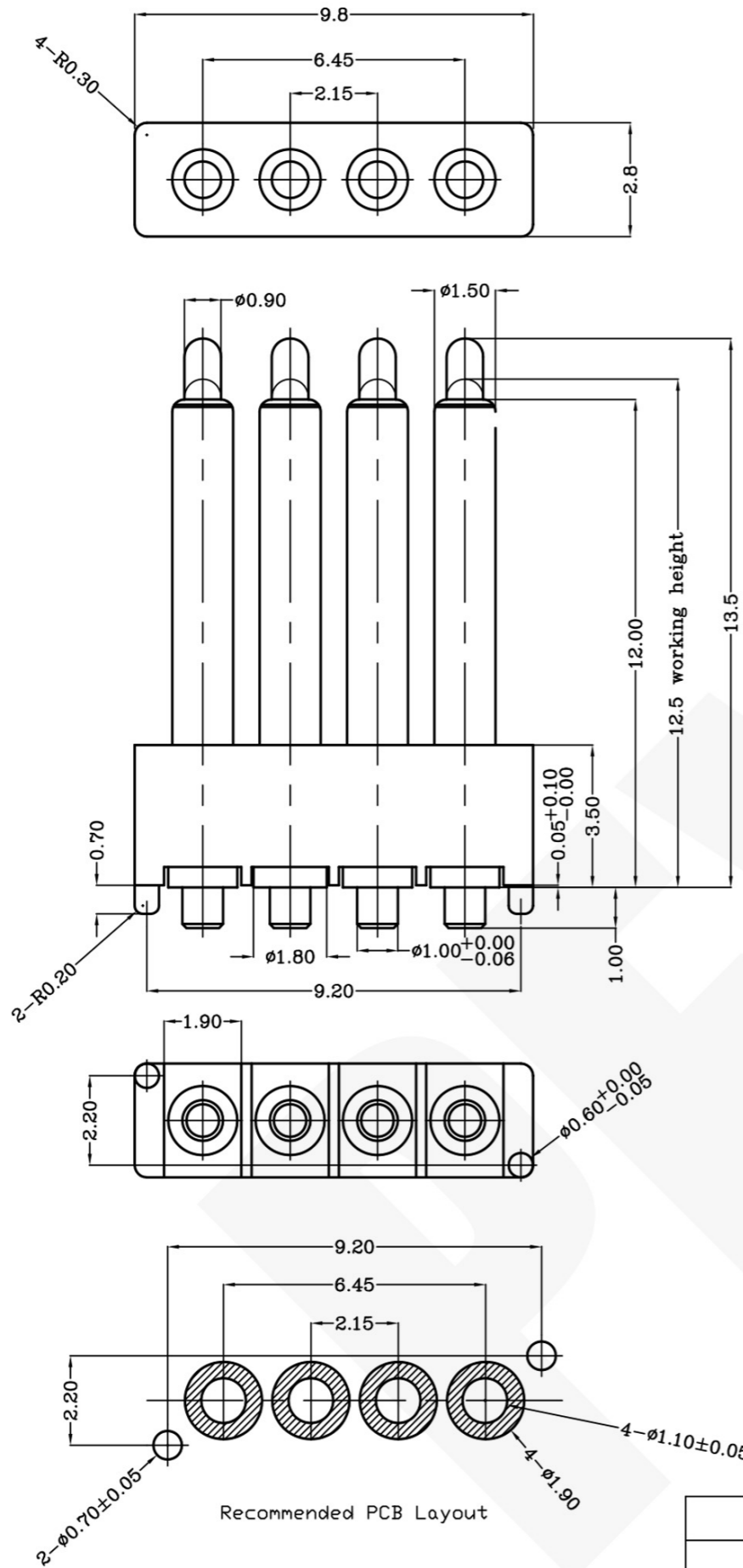


THIS INFORMATION IS CONFIDENTIAL AND IS DISCLOSED TO YOU ON CONDITION THAT NO FURTHER DISCLOSURE IS MADE BY YOU TO OTHER THAN PEXON PERSONNEL WITHOUT WRITTEN AUTHORIZATION FROM PEXON LTD.

DWG NO.
C-100592



USED ON
-

Notes:

- Material, Housing: PA 4.6 (30% Glass Filled)
Color Black.
Contact: Brass
- Mechanical demands:
Plating Plunger: 0.4um Au over 1.4um Ni
Plating Body: 0.1um Au over 1.4um Ni.
Spring force: Min 20gf with 0.3mm stroke
120±20 gf with 1.0mm stroke.
Resistance: Max. 25 mOhm at working point
Full stroke: 1.4mm

100592-4
PART NUMBER

DIMENSIONS IN MM
TOLERANCES UNLESS
OTHER SPECIFIED
0 = ±
0.0 = ±0.15
0.00 = ±0.10
0.000 = ±
ANGLE: ±1°
SURF TEXTURE: 3.2/
REMOVE BURRS. BREAK
SHARP EDGES R0.05 MAX
DO NOT SCALE PRINT

MATL	1	HT TR	-	FIN	- ✓
DWN		APVD		Pexon	
Qin		REL			
CHK				NAME	
				PGO 4P PGC-1.7-13.5-R-4P-2.15PH	
SCALE	1:1	A4	DWG NO. C-100592	SHEET 1 OF 1	REV C1

	更新		2010/06/10
	MEW		2007/09/27
LTR	REVISION RECORD	APVD	DATE

LDC	-
DIST	-

4 | 3 | 2 | 1



PEXON

E-mail: sale@pinconnector.com

WhatsApp: +86-13361867201

www.pinconnector.com