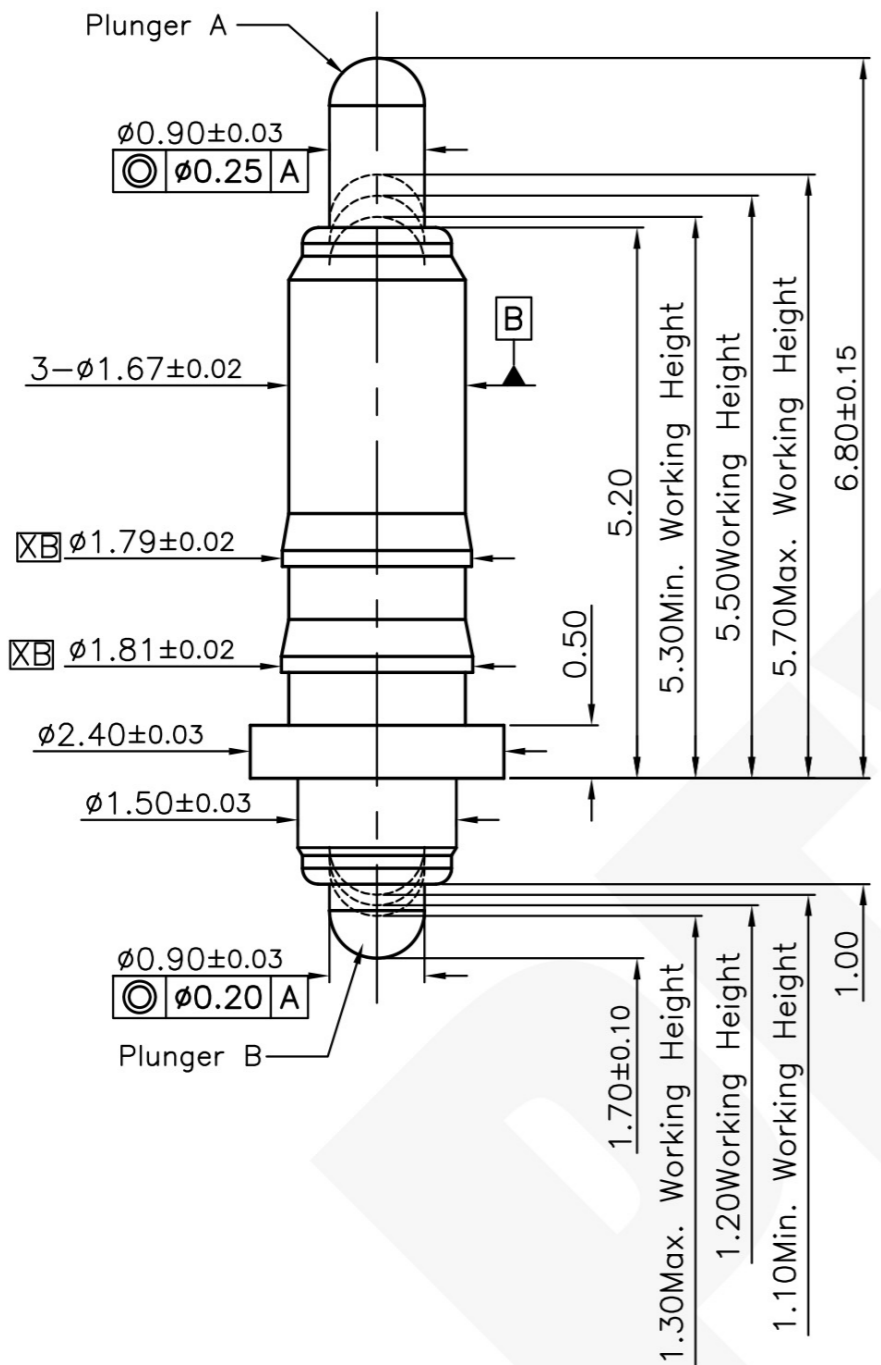


THIS INFORMATION IS CONFIDENTIAL AND IS DISCLOSED TO YOU ON CONDITION THAT NO FURTHER DISCLOSURE IS MADE BY YOU TO OTHER THAN PEXON PERSONNEL WITHOUT WRITTEN AUTHORIZATION FROM PEXON LTD.



- Notes:
- Dimensions shall be interpreted per ASME Y14.5M
 - Mechanical performance(See the table 1)
 - <2.1>The force is the average of forces obtained when plunger goes downwards and upwards
 - <2.2>Warning:Working height are not permitted to be less than Min working height
 - Electrical performance
 - <3.1>Current rating: 2.0A
 - <3.2>Voltage rating: 36VAC/DC
 - <3.3>Dynamic Resistance:30mOhm Max (between max and min working height)
 - Environmental performance
 - <4.1> RoHS compliant
 - <4.2>Operating Temperature range:-40°C~+85°C
 - <4.3>Withstanding High Temperature:260°C/10Sec
 - Packaging:Bag.

Working Height	Plunger A	5.50mm	60±15gf
	Plunger B	1.20mm	90±20gf
Durability		10000 Cycles Min.	

Item	Part Name	Q'TY	Material	Finish
4	Body	1pcs	Leaded Brass	Au 0.1um min plated over 1.4um min Ni
3	Plunger B	1pcs	Leaded Brass	Au 0.4um min plated over 1.4um min Ni
2	Plunger A	1pcs	Leaded Brass	Au 0.4um min plated over 1.4um min Ni
1	Spring	2pcs	Stainless steel wire	-----

XB	Body Dimension change	2016.10.26
XA	New Release	2016.08.31
Item	Revision record	Date

Top-Link Electronics Ltd.
 TOLERANCES UNLESS OTHER SPECIFIED
 0. = ± -
 0.0 = ± 0.15
 0.00 = ± 0.10
 0.000 = ± -
 Angle: ±1'
 SURF TEXTURE: REMOVE BURRS. BREAK SHARP EDGES R0.05 MAX.DO NOT SCALE PRINT.

Type	Customer drawing		Unit	mm
DRW:	Henry	APRD:		
CHK:		REL:		
Name	Pogo Pin			
Scale	1:1	Size	A4	Part NO. 20101011554
Page	1/1	Rev:	XB	

PEXON



PEXON

E-mail: sale@pinconnector.com

WhatsApp: +86-13361867201

www.pinconnector.com