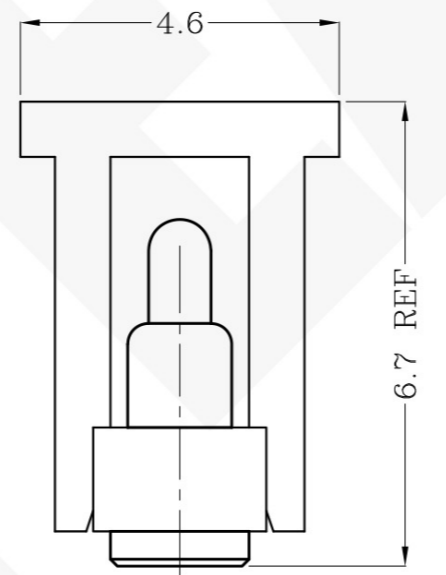
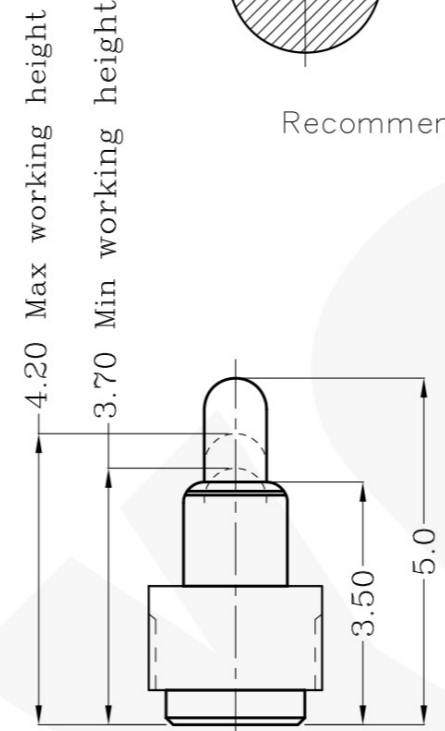
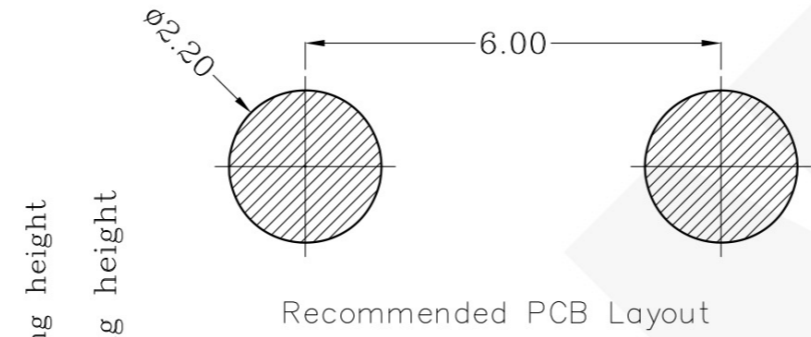
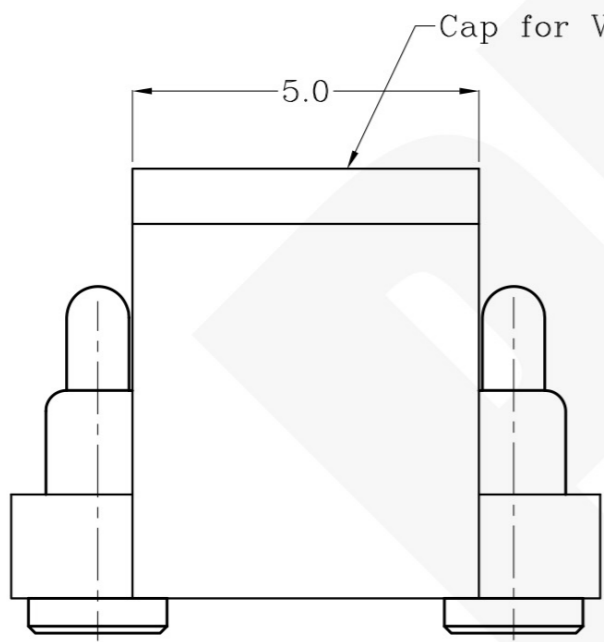
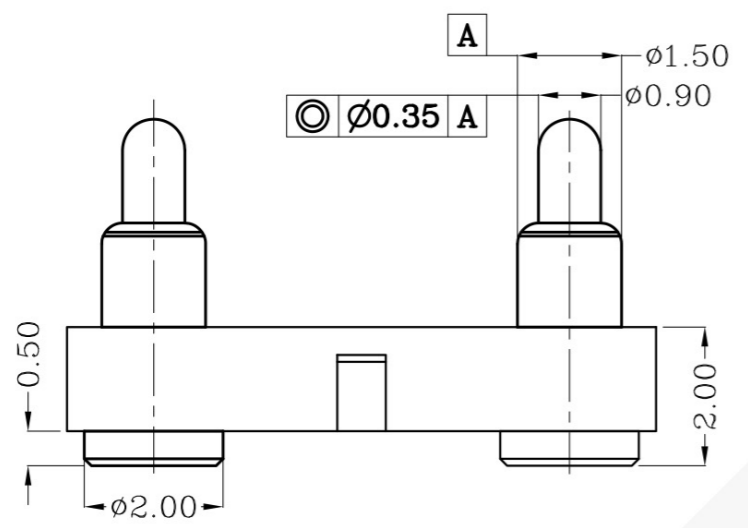
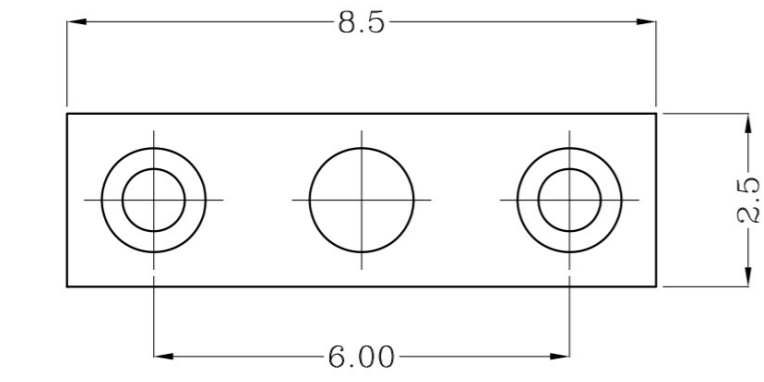


THIS INFORMATION IS CONFIDENTIAL AND IS DISCLOSED TO YOU ON CONDITION THAT NO FURTHER DISCLOSURE IS MADE BY YOU TO OTHER THAN PEXON PERSONNEL WITHOUT WRITTEN AUTHORIZATION FROM PEXON LTD.

DWN No.: C-100695



Item	Part name	Q'ty/Ea'	Material	Finish
1	HSG	1	High temp.Plastic UL94 V-0 Color Black	_____
2	Body	2	Leaded Brass	Gold plating over Nickel plating
3	Plunger	2	Leaded Brass	Gold plating over Nickel plating
4	Spring	2	Stainless steel wire	_____
5	CAP	1	High temp.Plastic UL94 V-0 Color Black	_____

Max.working height	4.20mm	80±20gf <3.1>
Min.working height	3.70mm	110±30gf
Durability	10000cycle	

- Notes:
- Dimensions shall be interpreted per ASME Y14.5M.
 - Mechanical performance(See the table 1)
<3.1>The force is the average of forces obtained when plunger goes downwards and upwards.
<3.2>Warning: Working height are not permitted to be less than Min working height.
 - Electrical performance
Resistance: 30mOhm Max.
Current rating: 2.0A
 - Packaging Spec.Comformance to EIA 481
 - RoHS complaint.

DIST

DIST

Rev.	Revision record.	Date.
	NEW	2011/05/03
3		

Top-Link
Electronics Ltd.
TOLERANCES UNLESS
OTHER SPECIFIED
0. = ± -
0.0 = ± 0.15
0.00 = ± 0.10
0.000 = ± -
Angle: ±
SURF TEXTURE:
REMOVE BURRS.
BREAK SHARP EDGES
R0.05 MAX.DO NOT
SCALE PRINT.

Type Customer drawing	Unit mm	Weight
DWN: Qin	APVD:	PEXON
CHK:	REL:	
Name Customer drawing PGC-1.5-5.0-R-2P-6.0PH		
Scale 1:1	Size A4	DWG No. C-100695
Page 1/1	Rev. 1	

100695-2
PART NUMBER



PEXON

E-mail: sale@pinconnector.com

WhatsApp: +86-13361867201

www.pinconnector.com