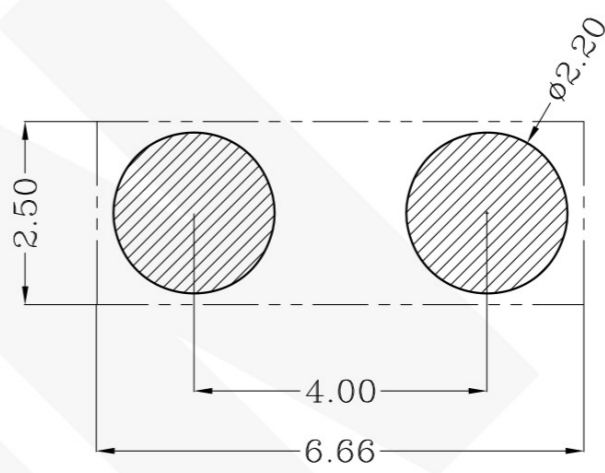
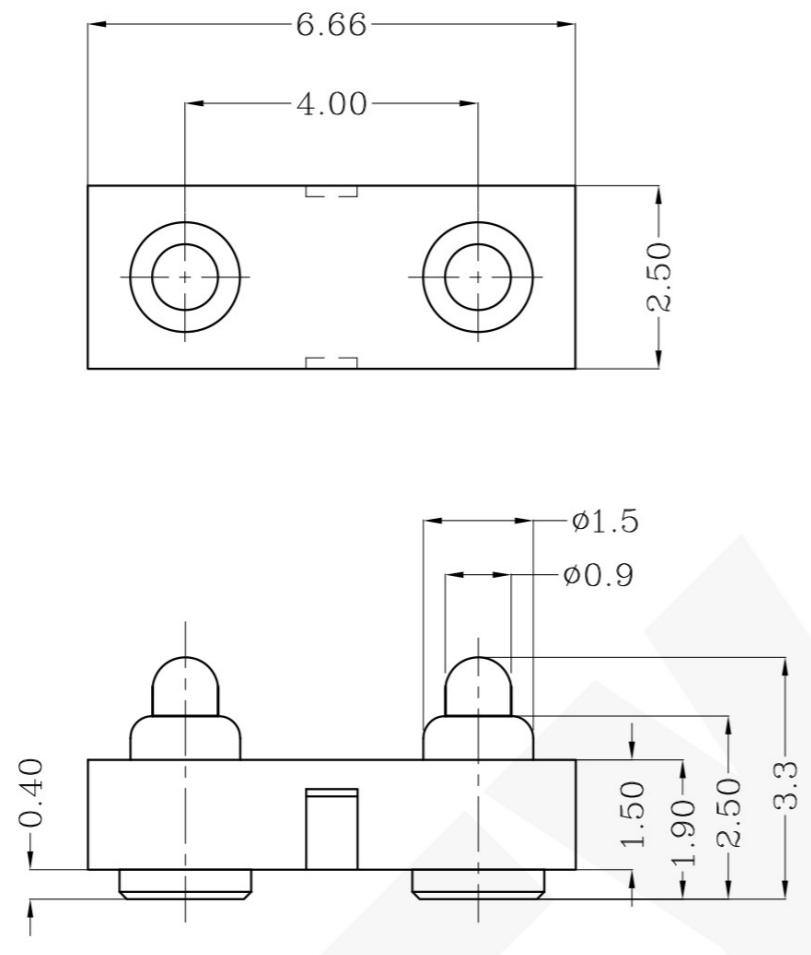


THIS INFORMATION IS CONFIDENTIAL AND IS DISCLOSED TO YOU ON CONDITION THAT NO FURTHER DISCLOSURE IS MADE BY YOU TO OTHER THAN PEXON PERSONNEL WITHOUT WRITTEN AUTHORIZATION FROM PEXON LTD.

DWG NO. C-100587



USED ON -



Recommended PCB Layout

Notes:

- 1 Material(材质):
 Housing: PA 4.6 (30% Glass Filled)Color Black.
 Contact: Brass
 Spring :Stainless steel wire
- 2 Plating:
 1)Body: Min 0.1um Gold plating over min. 1.4um Nickel plating
 (Body: 镀金0.1um Min 镍底1.4um Min)
 2)Plunger: Min 0.4um Gold plating over min. 1.4um Nickel plating
 (Plunger: 镀金0.4um Min 镍底1.4um Min)

100587-2
PART NUMBER

DIMENSIONS IN MM
 TOLERANCES UNLESS
 OTHER SPECIFIED
 0 = ±-
 0.0 = ±0.15
 0.00 = ±0.10
 0.000 = ±-
 ANGLE: ±1°
 SURF TEXTURE: 3.2/
 REMOVE BURRS. BREAK
 SHARP EDGES R0.05 MAX
 DO NOT SCALE PRINT

MATL	△ 1	HT TR	-	FIN	- ✓
DWN	Qin	APVD		Pexon	
CHK		REL			
NAME POGO CONNECTOR 2 POSITIONS PGC-1.5-3.3-R-2P-4.0PH					
SCALE	1:1	A4	DWG NO. C-100587	SHEET 1 OF 1	REV 1

LDC	-				
DIST	-				
		new	10/02/04		
LTR	REVISION RECORD	APVD	DATE		

4

3

2

1

D

C

B

A



PEXON

E-mail: sale@pinconnector.com

WhatsApp: +86-13361867201

www.pinconnector.com