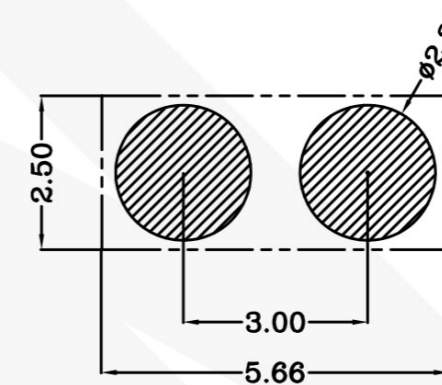
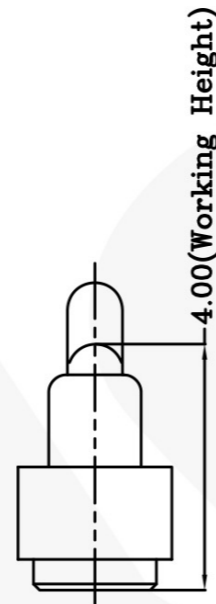
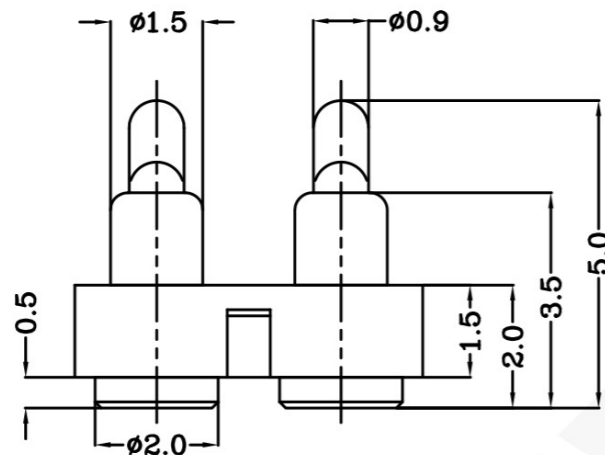
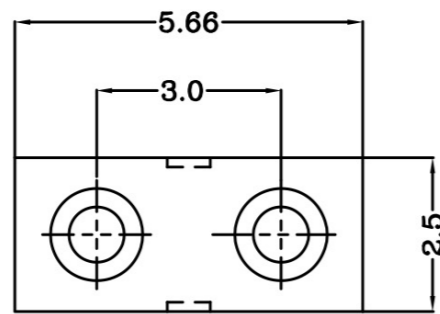


THIS INFORMATION IS CONFIDENTIAL AND IS DISCLOSED TO YOU ON CONDITION THAT NO FURTHER DISCLOSURE IS MADE BY YOU TO OTHER THAN PEXON PERSONNEL WITHOUT WRITTEN AUTHORIZATION FROM PEXON LTD.

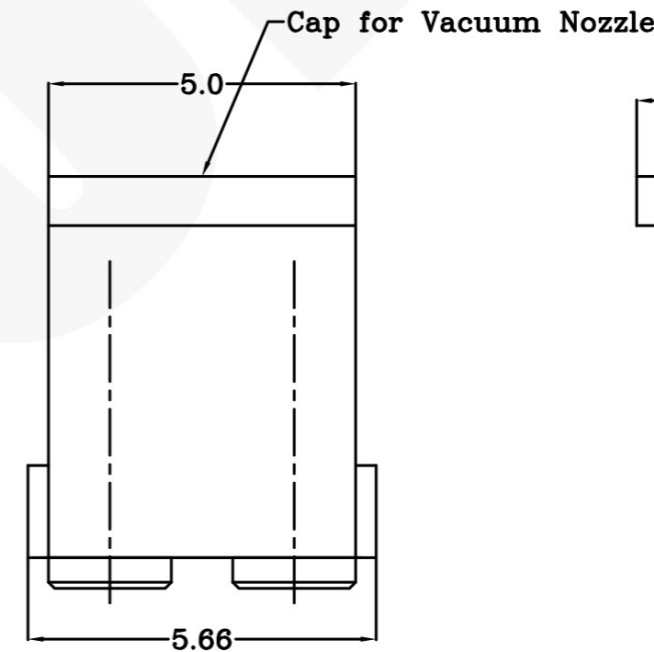
DWG NO. C-100300



USED ON



Recommended PCB Layout



Notes:

- 1 Material(材质):  
Housing: PA 4.6 + 30% Glass fiber; UL94 V-0 Color Black.  
Contact: Brass  
Spring :Stainless steel wire
- 2 Plating:  
1)Body: Min 0.1um Gold plating over min. 1.4um Nickel plating  
(Body: 镀金0.1um Min 镍底1.4um Min)  
2)Plunger: Min 0.4um Gold plating over min. 1.4um Nickel plating  
(Plunger: 镀金0.4um Min 镍底1.4um Min)
- 3 Mechanical:  
Total stroke(总行程): 1.20mm  
Durability(寿命): 10,000 cycle min.
- 4 Electrical(电性能)  
Contact resistance(接触抵抗): 30mOhm Max.  
Voltage rating(额定电压): 36V DC Max  
Current rating(额定电流): 2.0A

100300-2  
PART NUMBER

DIMENSIONS IN MM TOLERANCES UNLESS OTHER SPECIFIED		MATL	HT TR	FIN
0	= ±-	1	-	-
0.0	= ±0.15	DWN	APVD	Pexon
0.00	= ±0.10	Qln	REL	
0.000	= ±-	CHK		
ANGLE:	±1°	NAME POGO CONNECTOR 2 POSITIONS PGC-1.5-5.0-R-2P-3.0PH		
SURF TEXTURE: 3.2/ REMOVE BURRS. BREAK SHARP EDGES R0.05 MAX DO NOT SCALE PRINT		SCALE	DWG NO.	SHEET
		1:1	C-100300	1 OF 1
		A4		REV A

LDC	-
DIST	-

	new		09/09/10
LTR	REVISION RECORD	APVD	DATE

4

3

2

1

D

C

A



**PEXON**

E-mail: [sale@pinconnector.com](mailto:sale@pinconnector.com)

WhatsApp: +86-13361867201

[www.pinconnector.com](http://www.pinconnector.com)