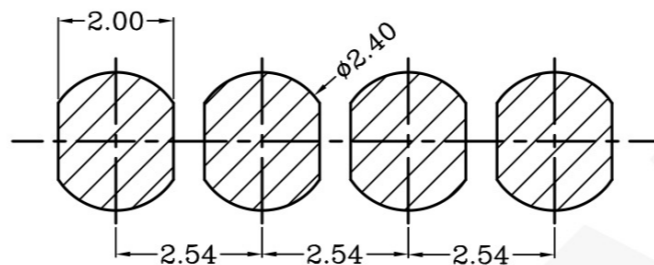
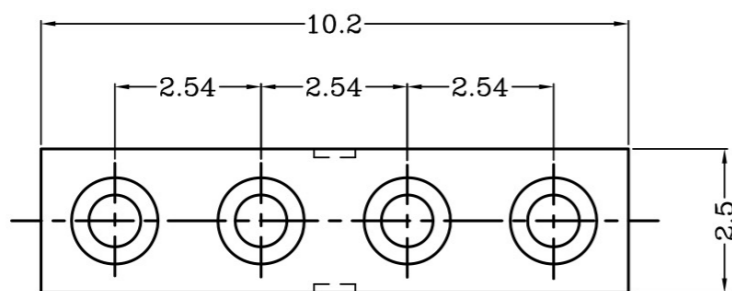


DWN No.: C-1001111

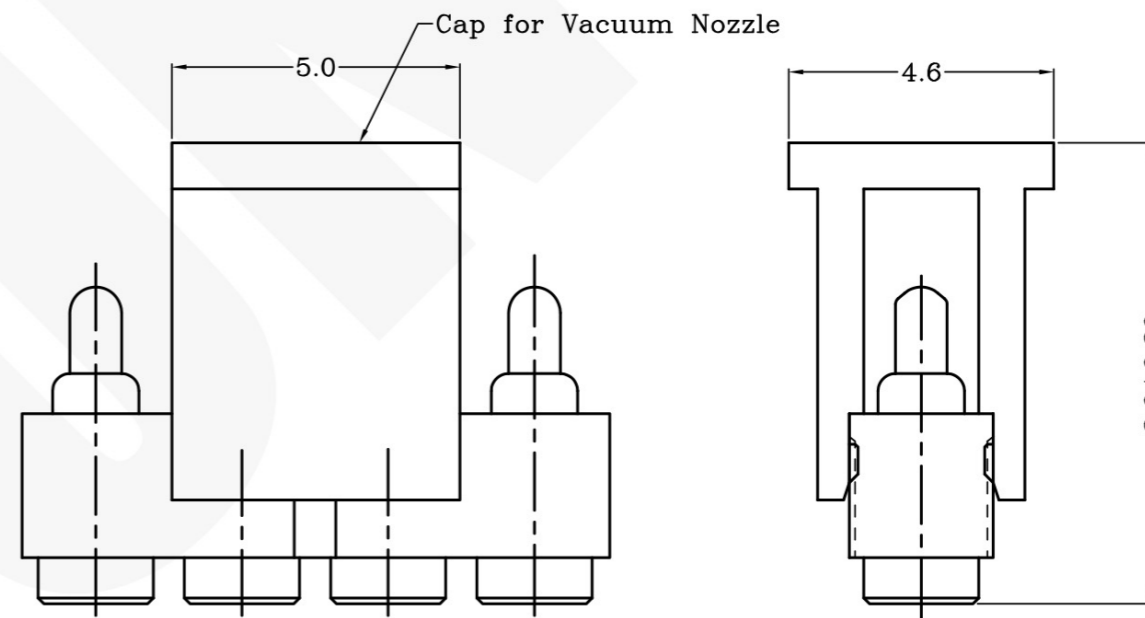
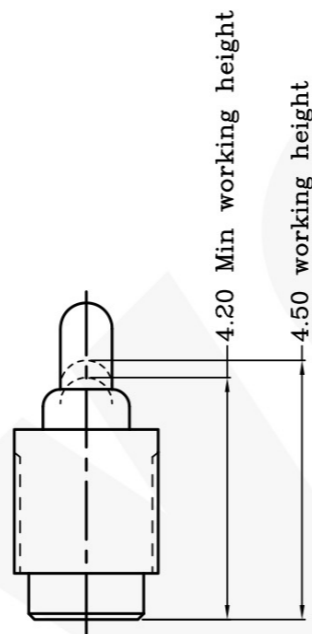
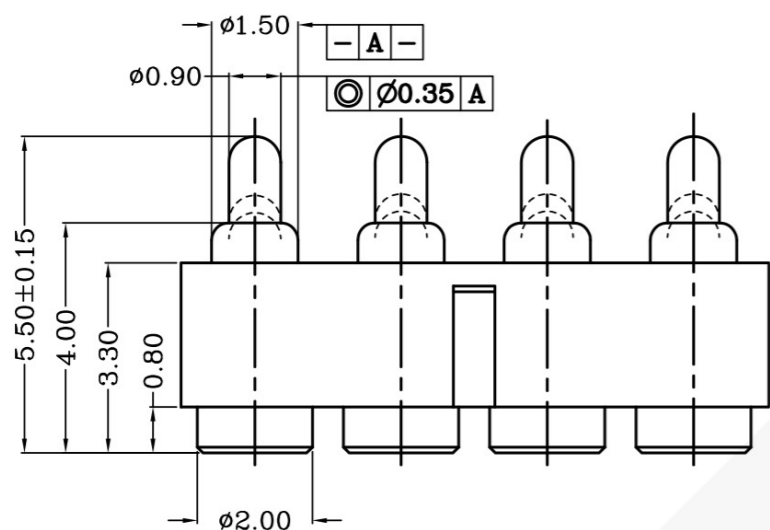


THIS INFORMATION IS CONFIDENTIAL AND IS DISCLOSED TO YOU ON CONDITION THAT NO FURTHER DISCLOSURE IS MADE BY YOU TO OTHER THAN PEXON PERSONNEL WITHOUT WRITTEN AUTHORIZATION FROM PEXON LTD.

Item	Part name	Q'ty/Ea'	Material	Finish
1	HSG	1	High temp.Plastic UL94 V-0 Color Black	_____
2	Body	4	Leaded Brass	Gold plating over Nickel plating
3	Plunger	4	Leaded Brass	Gold plating over Nickel plating
4	Spring	4	Stainless steel wire	_____
5	CAP	1	High temp.Plastic UL94 V-0 Color Black	_____



Recommended PCB Layout



Notes:

- Dimensions shall be interpreted per ASME Y14.5M.
- Mechanical performance(See the table 1)  
 <2.1>The force is the average of forces obtained when plunger goes downwards and upwards.  
 <2.2>Warning: Working height are not permitted to be less than Min working height.
- Electrical performance  
 Resistance: 30mOhm Max.  
 Current rating: 2.0A
- Packaging specification conforms to EIA 481
- RoHS compliant.

working height	4.5mm	120±30gf <2.1>
Durability	10000cycle	

1001111-4  
PART NUMBER

Top-Link Electronics Ltd.		Type Customer drawing	Unit mm	Weight
TOLERANCES UNLESS OTHER SPECIFIED 0. = ± - 0.0 = ± 0.15 0.00 = ± 0.10 0.000 = ± - Angle: ±1° SURF TEXTURE: REMOVE BURRS. BREAK SHARP EDGES R0.05 MAX.DO NOT SCALE PRINT.		DWN: Cai wanlu	APVD:	<b>PEXON</b>
		CHK:	REL:	
		Name Pogo pin connector		
Scale 1:1	Size A4	DWG No. C-1001111	Page 1/1	Rev. 1

Rev.	Revision record.	Date.
	NEW	2014/01/06

DIST  
---  
DIST  
---



**PEXON**

E-mail: [sale@pinconnector.com](mailto:sale@pinconnector.com)

WhatsApp: +86-13361867201

[www.pinconnector.com](http://www.pinconnector.com)