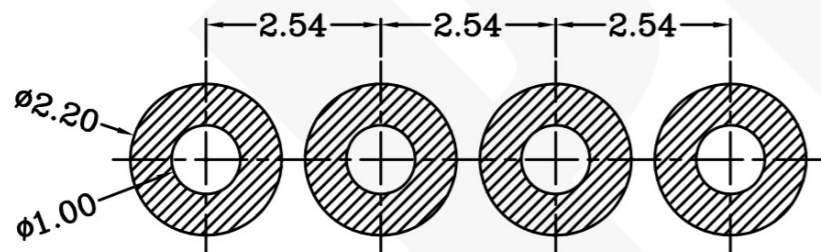
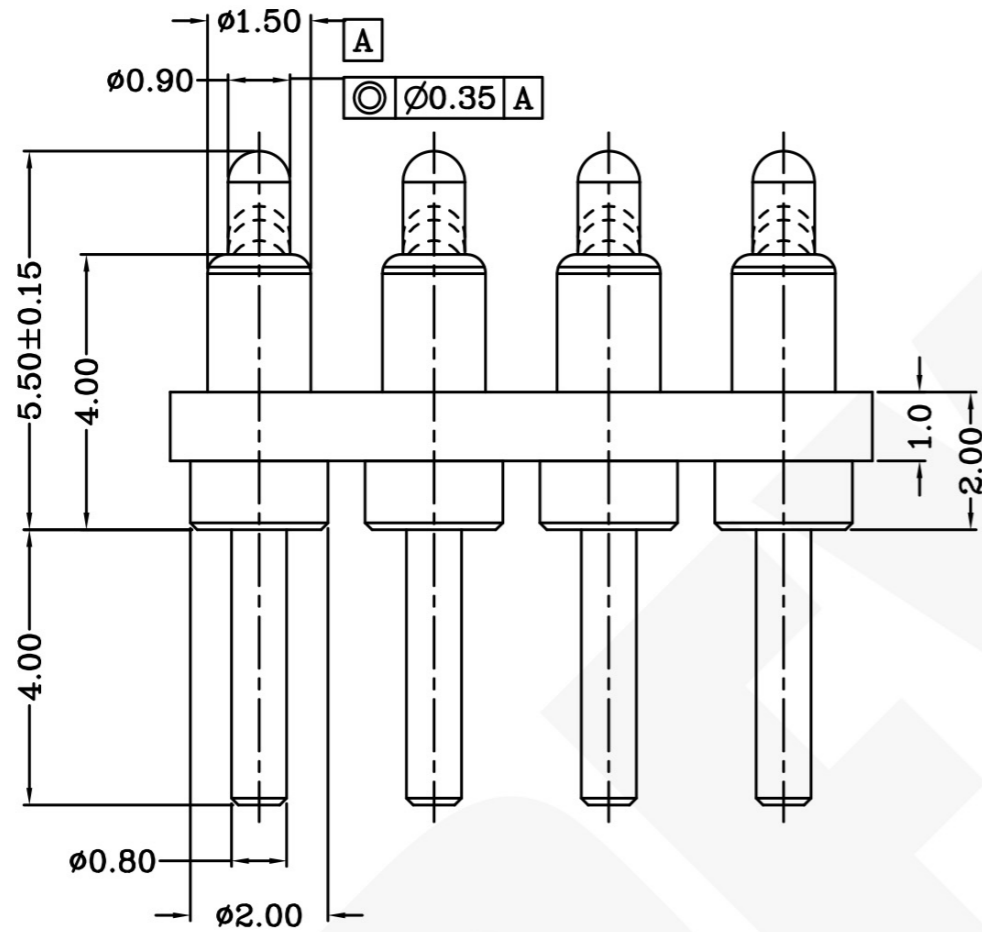
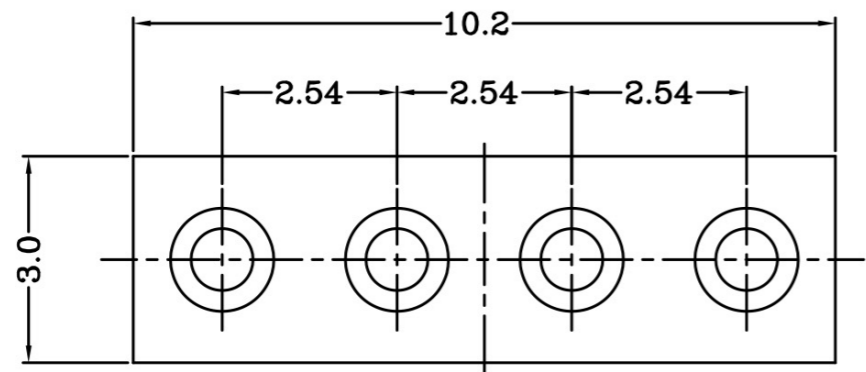
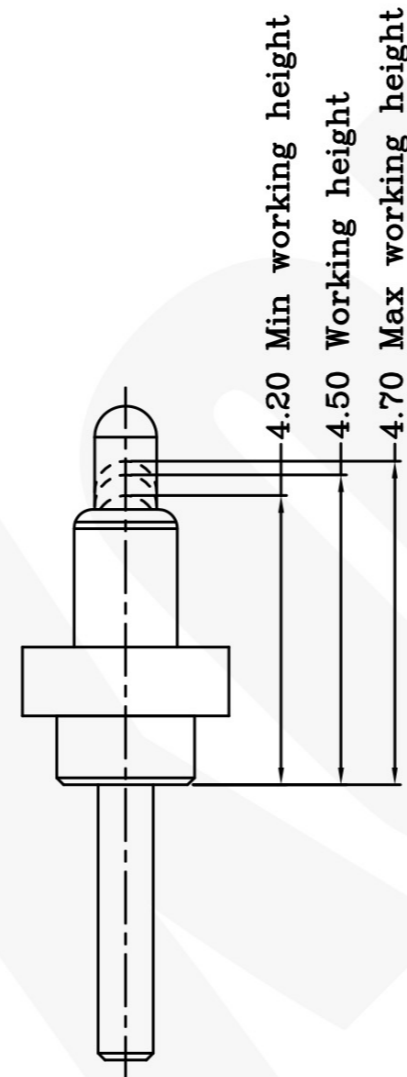


THIS INFORMATION IS CONFIDENTIAL AND IS DISCLOSED TO YOU ON CONDITION THAT NO FURTHER DISCLOSURE IS MADE BY YOU TO OTHER THAN PEXON PERSONNEL WITHOUT WRITTEN AUTHORIZATION FROM PEXON LTD.

DWN No.: C-10110041607



Recommended PCB Layout



Item	Part name	Q'ty/Ea'	Material	Finish
1	HSG	1	High temp.Plastic UL94 V-0 Color Black	_____
2	Body	4	Leaded Brass	Min Au 0.1um over min Ni 1.4um
3	Plunger	4	Leaded Brass	Min Au 0.4um over min Ni 1.4um
4	Spring	4	Stainless steel wire	_____
5				

Working height	4.50mm	100±20gf <2.1>
Durability	10000cycle	

Notes:

- 1 Dimensions shall be interpreted per ASME Y14.5M.
- 2 Mechanical performance(See the table 1)  
<2.1>The force is the average of forces obtained when plunger goes downwards and upwards.  
<2.2>Warning: Working height are not permitted to be less than Min working height.
- 3 Electrical performance  
Resistance: 30mOhm Max.  
Current rating: 2.0A
- 4 RoHS compliant.

10110041607

PART NUMBER

Top-Link Electronics Ltd.		Type	Unit	Weight
TOLERANCES UNLESS OTHER SPECIFIED		Customer drawing	mm	_____
0. = ± -		DWN: Caiwanlu	APVD:	<b>PEXON</b>
0.0 = ± 0.15		CHK:	REL:	
0.00 = ± 0.10		Name		
0.000 = ± -		Pogo pin connector		
Angle: ±1°		Scale	Size	DWG No.
SURF TEXTURE: REMOVE BURRS. BREAK SHARP EDGES R0.05 MAX.DO NOT SCALE PRINT.		1:1	A4	C-10110041607
Rev.	Revision record.	Date.	Page	Rev.
4	3	2016/03/25	1/1	1

DIST

DIST



**PEXON**

E-mail: [sale@pinconnector.com](mailto:sale@pinconnector.com)

WhatsApp: +86-13361867201

[www.pinconnector.com](http://www.pinconnector.com)