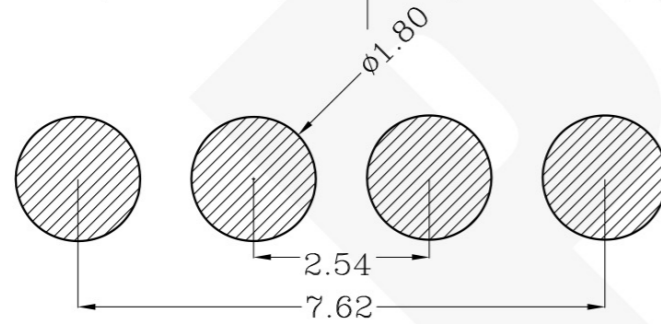
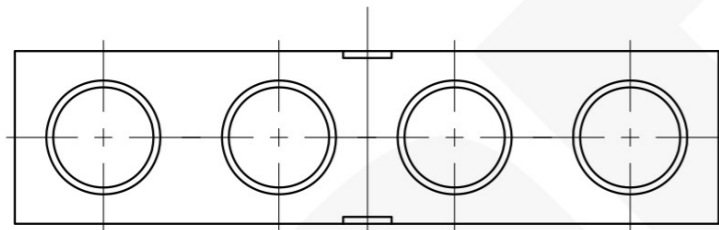
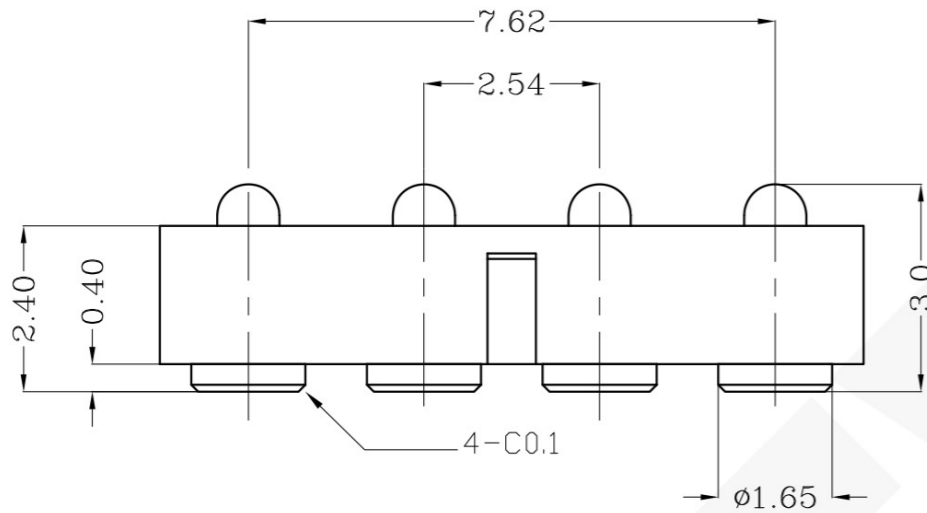
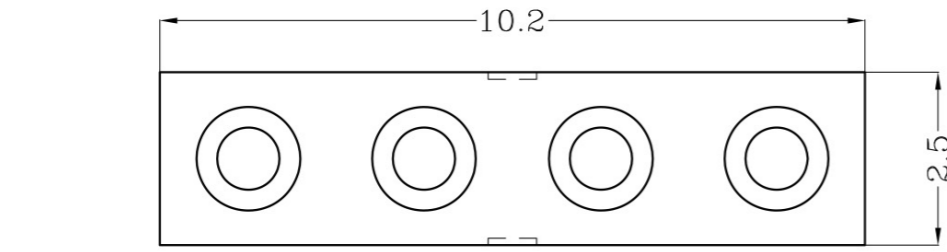
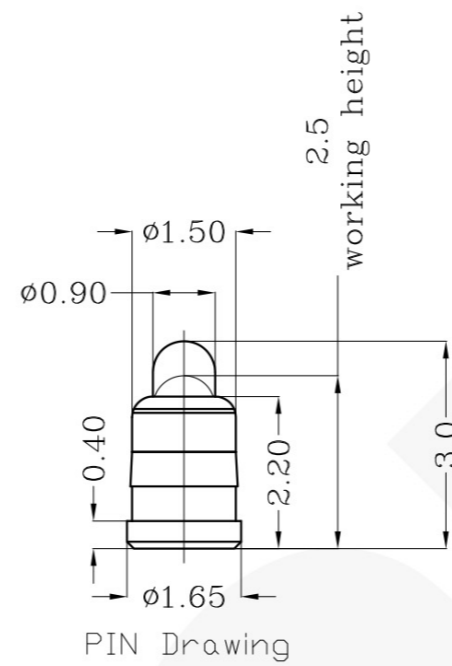


THIS INFORMATION IS CONFIDENTIAL AND IS DISCLOSED TO YOU ON CONDITION THAT NO FURTHER DISCLOSURE IS MADE BY YOU TO OTHER THAN PEXON PERSONNEL WITHOUT WRITTEN AUTHORIZATION FROM PEXON LTD.

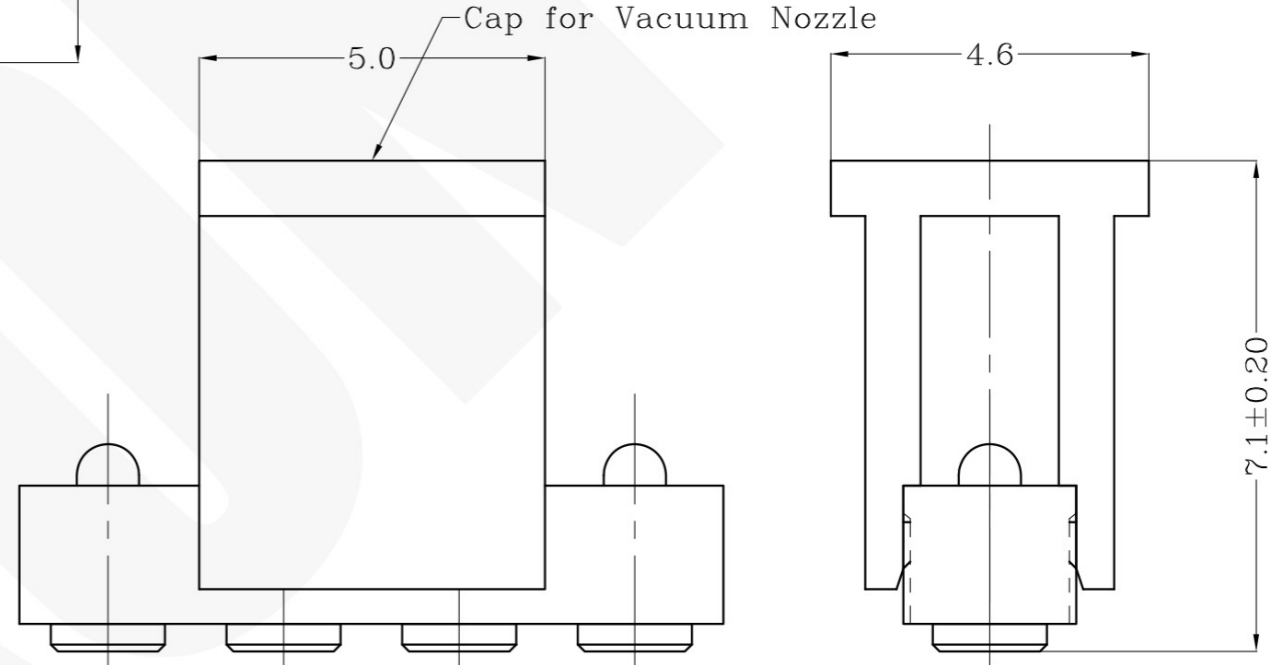
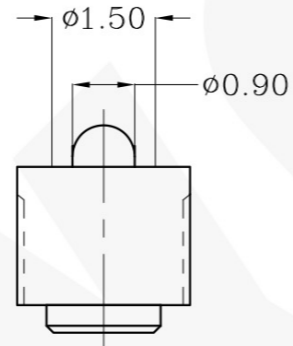
DWN No.: C-100445



Recommended PCB Layout



PIN Drawing



Item	Part name	Q'ty/Ea'	Material	Finish
1	HSG	1	High temp.Plastic UL94 V-0 Color Black	_____
2	Body	4	Leaded Brass	Gold plating over Nickel plating
3	Plunger	4	Leaded Brass	Gold plating over Nickel plating
4	Spring	4	Stainless steel wire	_____
5	CAP	1	High temp.Plastic UL94 V-0 Color Black	_____

working height	2.50mm	90gf min<2.1>
Durability	10000cycle	

- Notes:
- 1 Demensions shall be interpreted per ASME Y14.5M.
 - 2 Mechanical performance(See the table 1)
<2.1>The force is the average of forces obtained when plunger goes downwards and upwards.
 - 3 Electrical performance
Resistance: 50mOhm Max.
Current rating: 2.0A
 - 4 Packaging Specification conforms to EIA 481
 - 5 RoHS compliant.

100445-4
PART NUMBER

Top-Link Electronics Ltd.		Type	Customer drawing	Unit	mm	Weight	
TOLERANCES UNLESS OTHER SPECIFIED		DWN:	JERRY	APVD:		PEXON	
0. = ± -		CHK:		REL:			
0.0 = ± 0.15		Name				POGO PIN CONNECTOR	
0.00 = ± 0.10		Scale	1:1	Size	A4	DWG No.	C-100445
0.000 = ± -		Page	1/1	Rev.	A1		
Angle: ±1°							
SURF TEXTURE: REMOVE BURRS. BREAK SHARP EDGES R0.05 MAX.DO NOT SCALE PRINT.							

Rev.	Revision record.	Date.
	NEW	2013/08/21
3		
4		

DIST

DIST

4

3

2

1



PEXON

E-mail: sale@pinconnector.com

WhatsApp: +86-13361867201

www.pinconnector.com