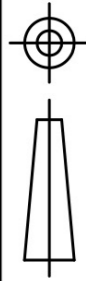
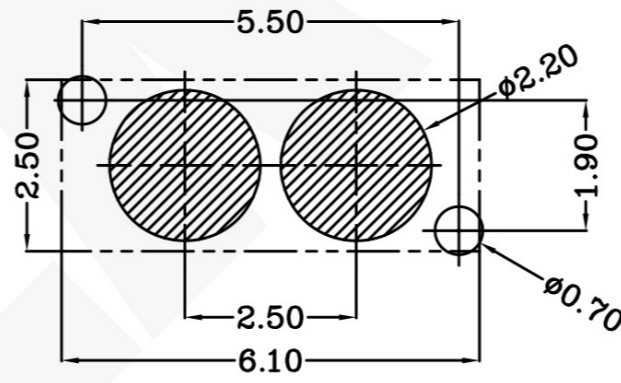
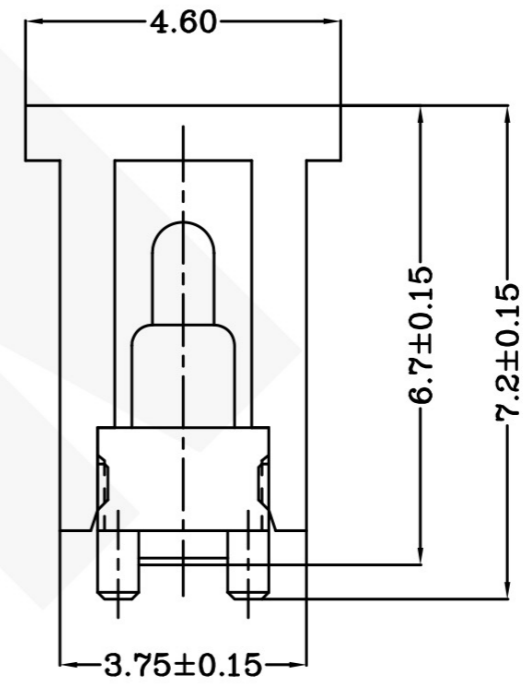
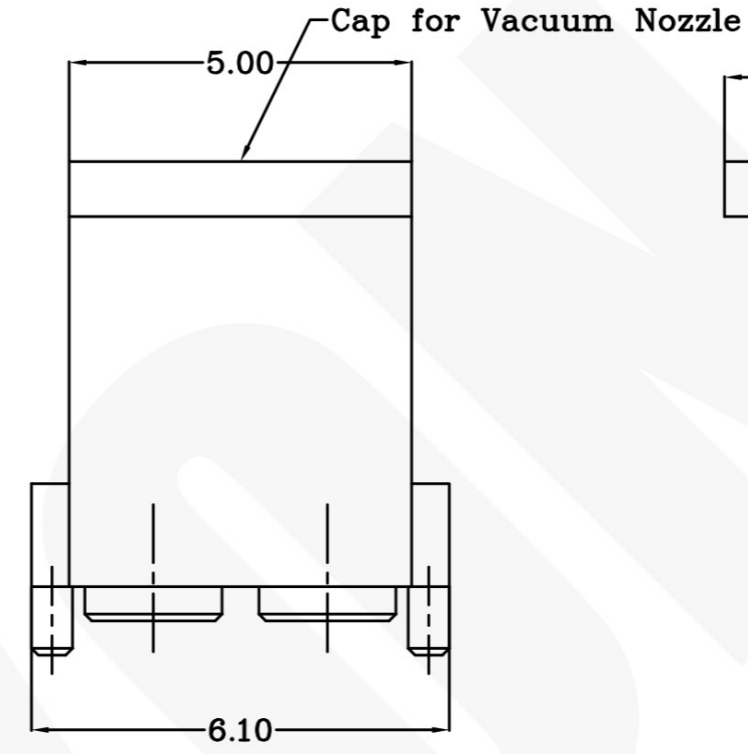
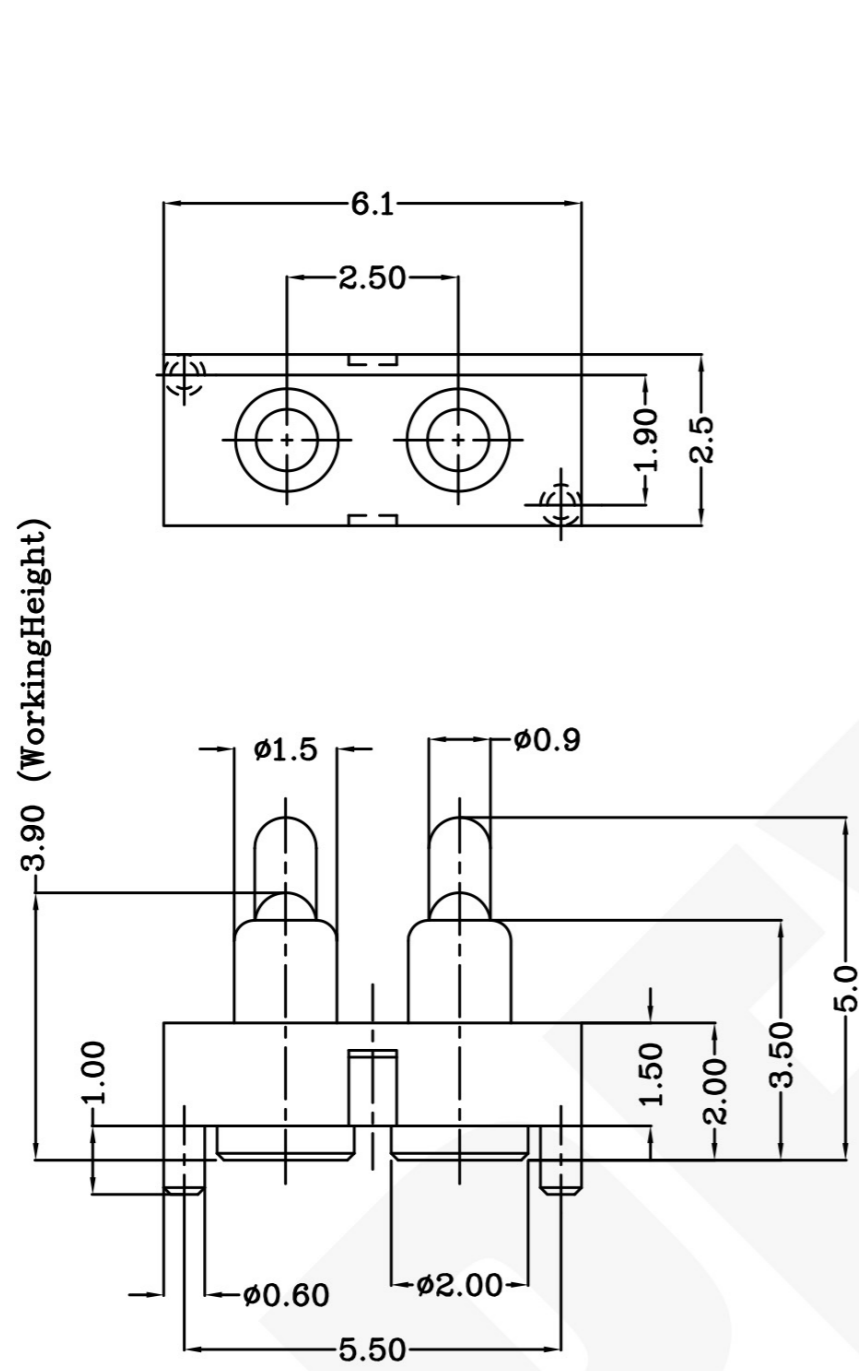


THIS INFORMATION IS CONFIDENTIAL AND IS DISCLOSED TO YOU ON CONDITION THAT NO FURTHER DISCLOSURE IS MADE BY YOU TO OTHER THAN PEXON PERSONNEL WITHOUT WRITTEN AUTHORIZATION FROM PEXON LTD.

DWG NO.
C-100390



USED ON
-



Recommended PCB Layout

- Notes:
- Material, Housing: PA 4.6 (30% Glass Filled)
Color Black.
Contact: Brass
 - Mechanical demands:
Spring force: 0.50±0.20N with 1.1mm stroke.
Full stroke: 1.4mm
Plating Plunger: 0.4µm Au over 1.4µm Ni
Plating Body: 0.1µm Au over 1.4µm Ni.

100390-2
PART NUMBER

DIMENSIONS IN MM
TOLERANCES UNLESS
OTHER SPECIFIED
0 = ±-
0.0 = ±0.15
0.00 = ±0.10
0.000 = ±
ANGLE: ±1°
SURF TEXTURE: 3.2/
REMOVE BURRS. BREAK
SHARP EDGES R0.05 MAX
DO NOT SCALE PRINT

MATL	1	HT TR	-	FIN	-	Pexon
DWN	Jim	APVD	Lansing			
CHK	Andy	REL				
NAME BATTERY POGO CONNECTOR 2 POSITIONS PGC-1.5-5.0-R-2P-2.54PH						
SCALE	1:1	A4	DWG NO. C-100390	SHEET	1 OF 1	REV A

LDC	-	New		2008/08/29	
DIST	-	LTR	REVISION RECORD	APVD	DATE

4

3

2

1

D

C

B

A



PEXON

E-mail: sale@pinconnector.com

WhatsApp: +86-13361867201

www.pinconnector.com