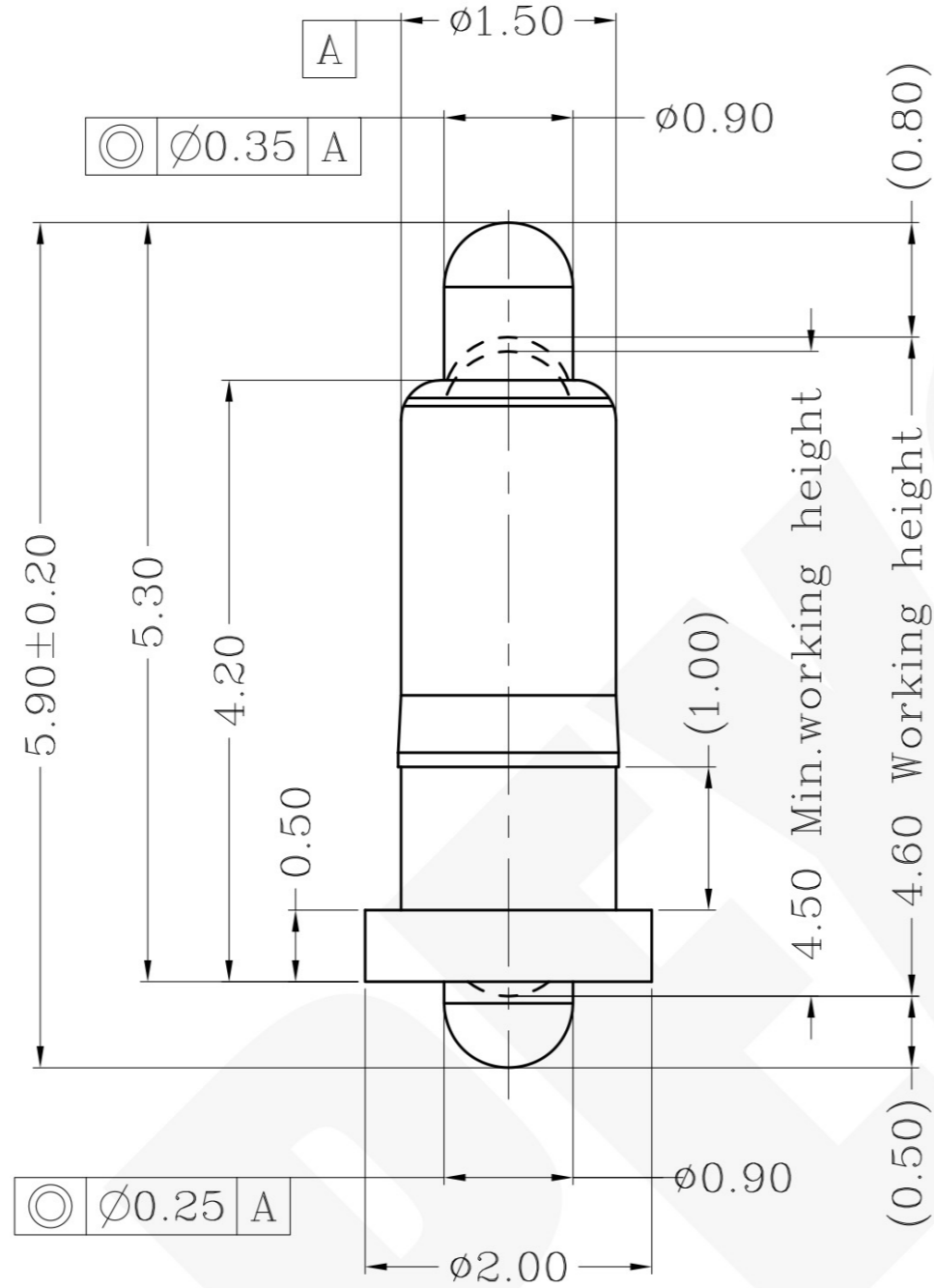
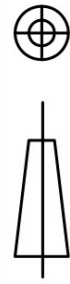


THIS INFORMATION IS CONFIDENTIAL AND IS DISCLOSED TO YOU ON CONDITION THAT NO FURTHER DISCLOSURE IS MADE BY YOU TO OTHER THAN PEXON PERSONNEL WITHOUT WRITTEN AUTHORIZATION FROM PEXON LTD.

DWN No: C-20101011155



Item	Part name	Q'ty/Ea'	Material	Finish
1	Body	1	Leaded Brass	Au 0.1um plating Ni 1.4um
2	Plunger	2	Leaded Brass	Au 0.4um plating Ni 1.4um
3	Spring	1	Stainless steel wire	—————
4				
5				

Table 1 Mechanical performance		
Working height	4.60mm	65±25gf <2.1>
Durability	10000cycle	

Notes:

- Dimensions shall be interpreted per ASME Y14.5M.
- Mechanical performance(See the table 1)
<2.1>The force is the average of forces obtained when plunger goes downwards and upwards.
<2.2>Warning: Working height are not permitted to be less than Min working height.
- Electrical performance
Resistance: 30mOhm Max.
Current rating: 2.0A
- RoHS compliant.

20101011155

PART NUMBER

Top-Link Electronics Ltd.		Type	Customer drawing	Unit	mm	Weight	—————
TOLERANCES UNLESS OTHER SPECIFIED		DWN:	Cai wanlu	APVD:		PEXON	
0. = ± —		CHK:		REL:			
0.0 = ± 0.15		Name		POGO PIN			
0.00 = ± 0.10		Scale	1:1	Size	A4	DWG No.	C-20101011155
0.000 = ± —		Page	1/1	Rev.	A		
Angle: ±1°							
SURF TEXTURE: REMOVE BURRS. BREAK SHARP EDGES R0.05 MAX.DO NOT SCALE PRINT.							

Rev.	Revision record.	Date.
A	NEW	2015/07/08

DIST



PEXON

E-mail: sale@pinconnector.com

WhatsApp: +86-13361867201

www.pinconnector.com