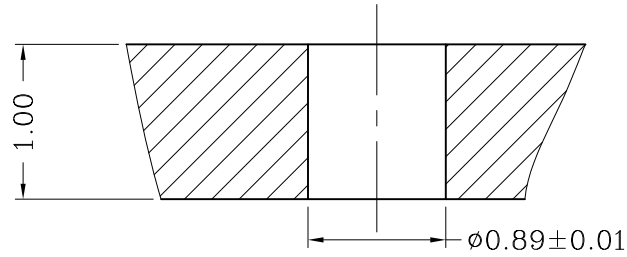
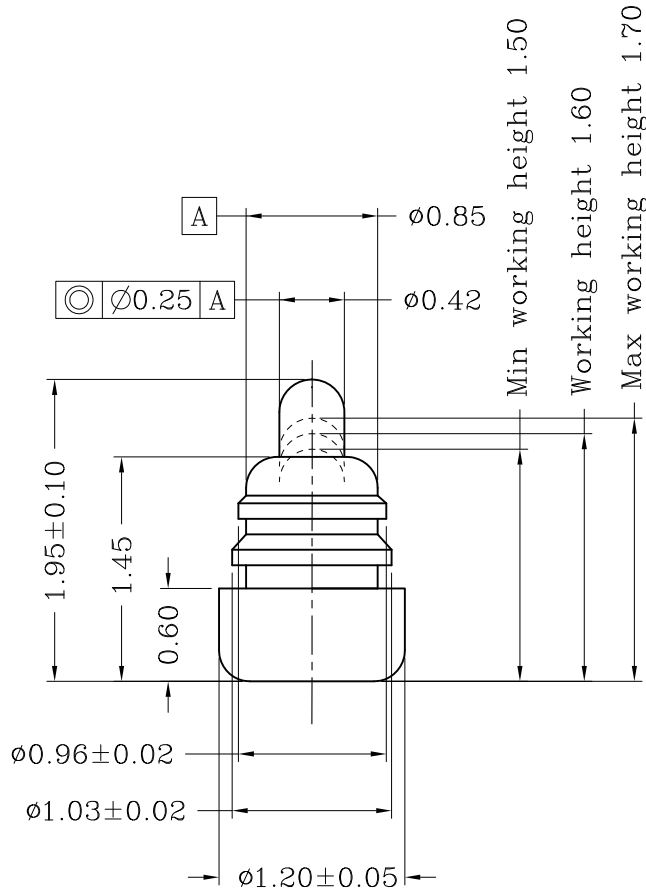


THIS INFORMATION IS CONFIDENTIAL AND IS DISCLOSED TO YOU ON CONDITION THAT NO FURTHER DISCLOSURE IS MADE BY YOU TO OTHER THAN TOP-LINK PERSONNEL WITHOUT WRITTEN AUTHORIZATION FROM TOP-LINK LTD.



DWN No.: C-20101011233

proposal



Recommended Dimensions of HSG

Item	Part name	Q'ty/Ea'	Material	Finish
1	Body	1	Leaded Brass	Au 0.75um min. plating Zn-Cu 1.4um min.
2	Plunger	1	Leaded Brass	Au 0.75um min. plating Ni 1.4um min.
3	Spring	1	Stainless steel wire	—————
4				
5				

Table 1 Mechanical performance		
Working height	1.60mm	35gf Min.
Durability	10000cycle	

Notes:

- Dimensions shall be interpreted per ASME Y14.5M.
- Mechanical performance(See the table 1)
 <2.1>The force is the average of forces obtained when plunger goes downwards and upwards.
 <2.2>Warning: Working height are not permitted to be less than Min working height.
- Electrical performance
 Resistance: 30mOhm Max.
 Operating voltage: 36VDC MAX.
 Current rating: 1.0A
- RoHS compliant.

20101011233

PART NUMBER

DIST

DIST

2	UPDATE DRAWING	2015/09/08
1	NEW	2015/08/11
Rev.	Revision record.	Date.

Top-Link Electronics Ltd.		Type	Customer drawing	Unit	mm	Weight	
TOLERANCES UNLESS OTHER SPECIFIED 0. = ± 0.0 = ±0.15 0.00 = ±0.10 0.000 = ±		DWN:	Minos	APVD:	Lansing		
Angle: ± SURF TEXTURE: REMOVE BURRS. BREAK SHARP EDGES R0.05 MAX.DO NOT SCALE PRINT.		CHK:	Kent	REL:			
Name Pogo pin connector							
Scale	1:1	Size	A4	DWG No.	C-20101011233	Page	1/1
						Rev.	2

4

3

2

1

D

C

B

A