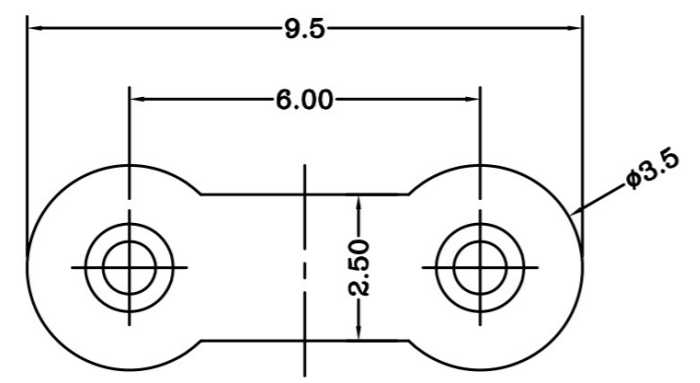


USED ON  
—

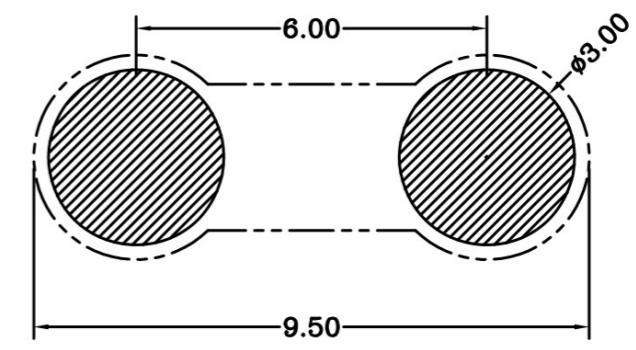
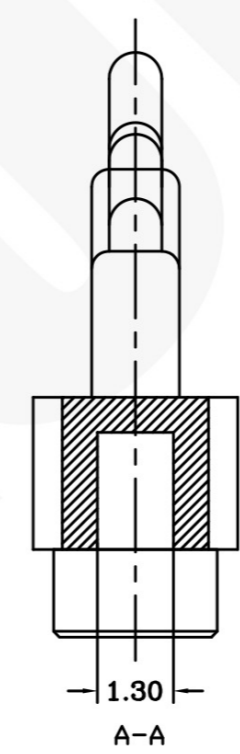
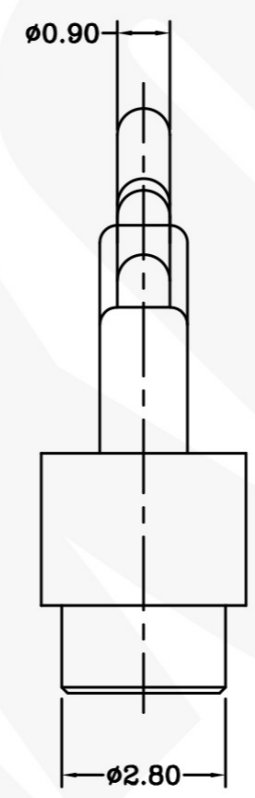
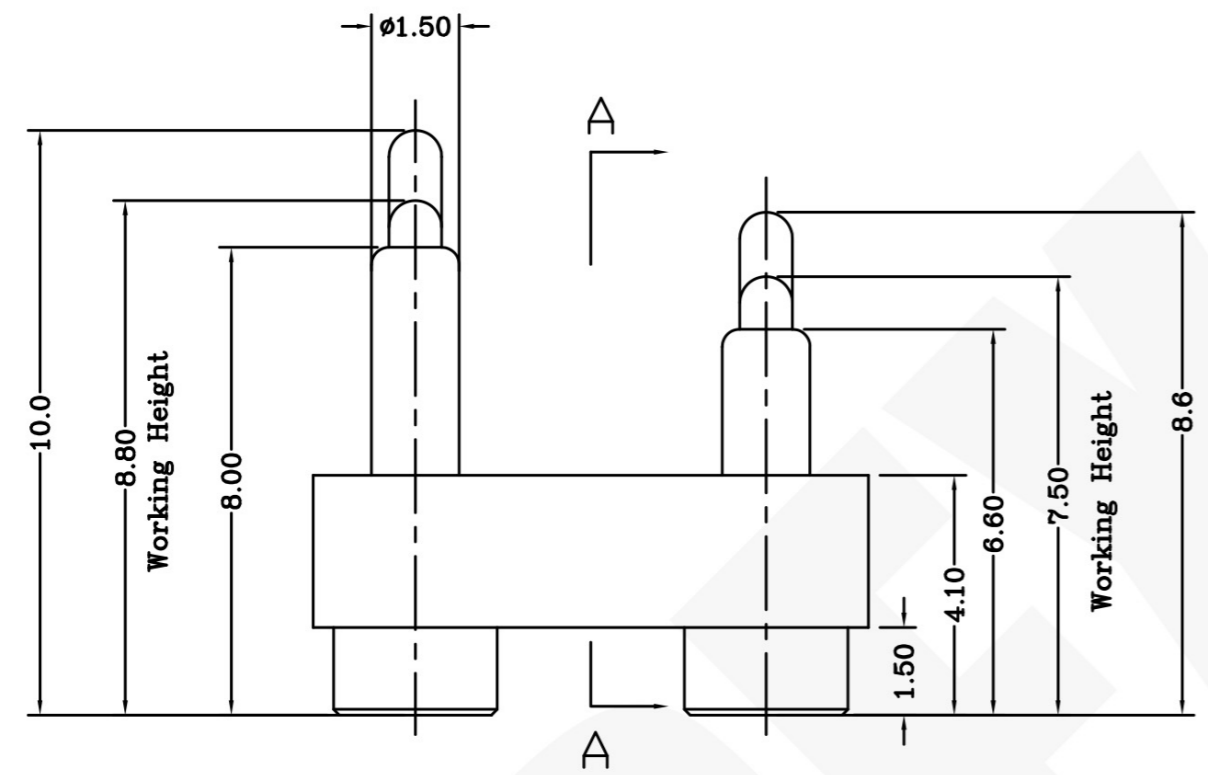
DWG NO.  
C-100035



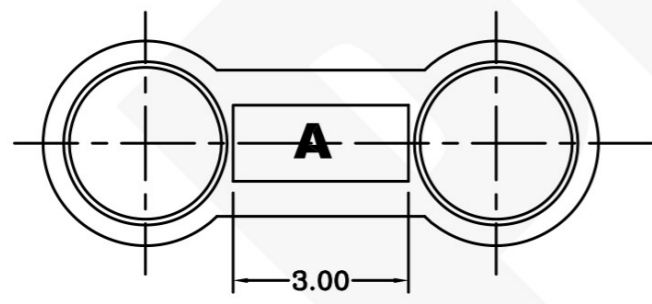
THIS INFORMATION IS CONFIDENTIAL AND IS DISCLOSED TO YOU ON CONDITION THAT NO FURTHER DISCLOSURE IS MADE BY YOU TO OTHER THAN PEXON PERSONNEL WITHOUT WRITTEN AUTHORIZATION FROM PEXON LTD.



Notes:  
 1 Material, Housing: PA 4.6 (30% Glass Filled)  
     Color Black.  
     Contact: Brass  
 2 Mechanical demands:  
     Plating Plunger: 0.5um Au over 2.5um Ni  
     Plating Body: 0.125um Au over 1.4um Ni.



Recommended PCB Layout



100035-2  
PART NUMBER

DIMENSIONS IN MM  
 TOLERANCES UNLESS  
 OTHER SPECIFIED  
 0 = ±-  
 0.0 = ±0.15  
 0.00 = ±0.10  
 0.000 = ±  
 ANGLE: ±1°  
 SURF TEXTURE: 3.2/  
 REMOVE BURRS, BREAK  
 SHARP EDGES R0.05 MAX  
 DO NOT SCALE PRINT

MATL	△ 1	HT TR	—	FIN	— ✓
DWN	Benny	APVD	Lansing	<b>PEXON</b>	
CHK	Andy	REL			
NAME BATTERY POGO CONNECTOR 2 POSITIONS (PGC-1.5-8.6/9.7-R-2P-6.0PH)					
SCALE	1:1	A4	DWG NO. C-100035	SHEET 1 OF 1	REV C

LDC	-
DIST	-

update remark	2007/09/07		
LTR	REVISION RECORD	APVD	DATE

4

3

2

1

D

C

B

A



**PEXON**

E-mail: [sale@pinconnector.com](mailto:sale@pinconnector.com)

WhatsApp: +86-13361867201

[www.pinconnector.com](http://www.pinconnector.com)