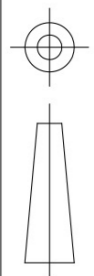
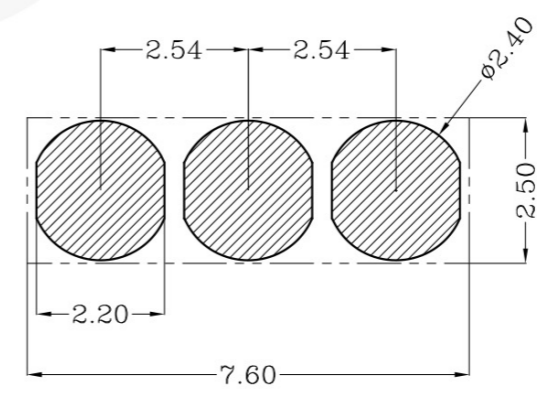
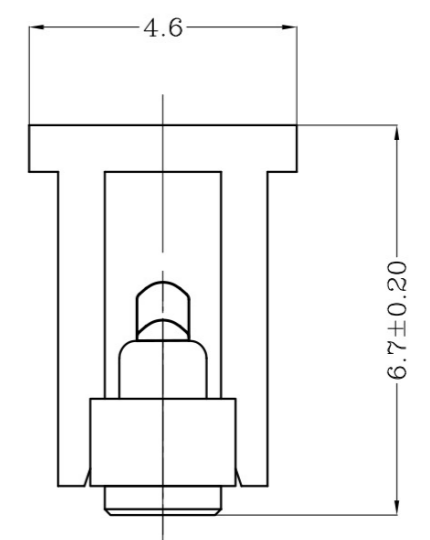
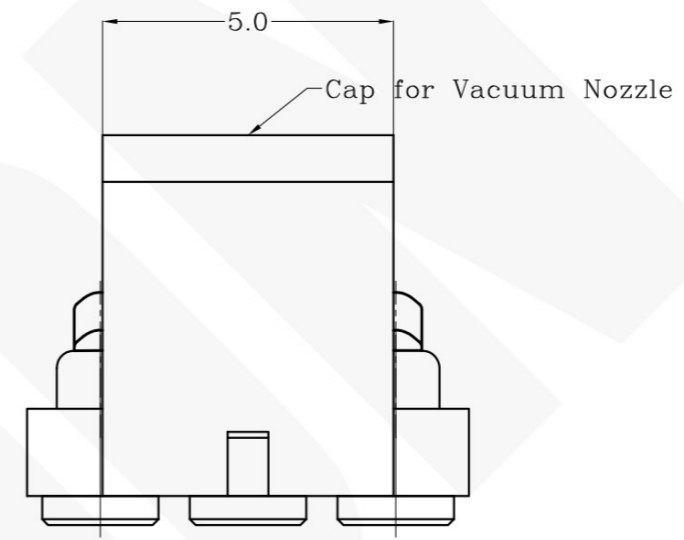
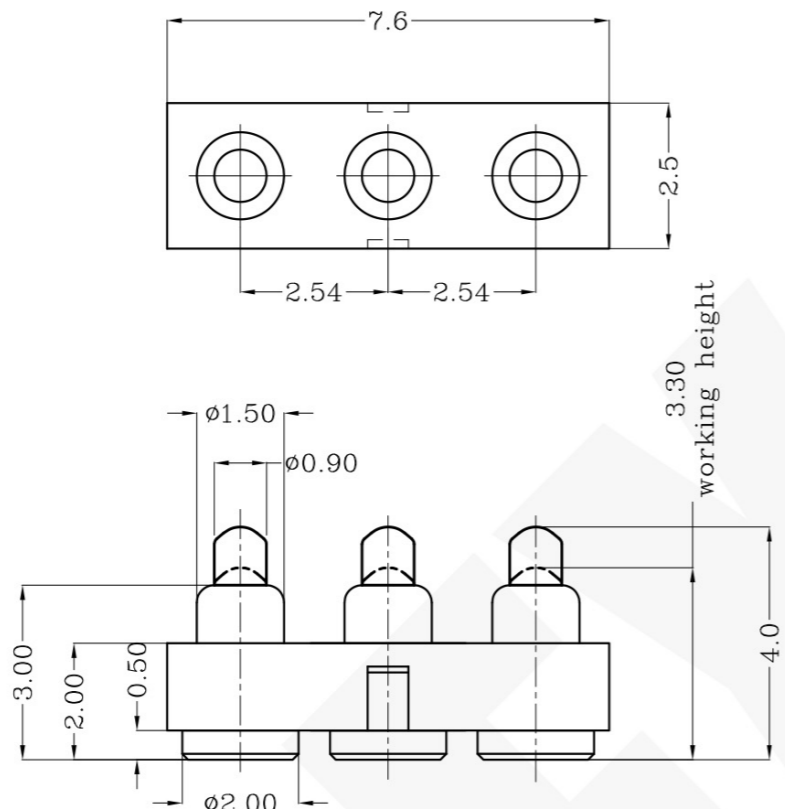


THIS INFORMATION IS CONFIDENTIAL AND IS DISCLOSED TO YOU ON CONDITION THAT NO FURTHER DISCLOSURE IS MADE BY YOU TO OTHER THAN PEXON PERSONNEL WITHOUT WRITTEN AUTHORIZATION FROM PEXON LTD.

DWG NO.  
C-100424



USED ON \_\_\_\_\_



Recommended PCB Layout

- Notes:
- Material, Housing: PA 4.6 (30% Glass Filled)  
Color Black.  
Contact: Brass
  - Mechanical demands:  
Plating Plunger: 0.4um Au over 1.4um Ni  
Plating Body: 0.1um Au over 1.4um Ni.
  - Mechanical:  
1) Force: 110±30gf per pin at 0.7mm stroke  
2) Total stroke: 0.90mm  
3) Durability: 10,000 cycle min.

100424-3  
PART NUMBER

DIMENSIONS IN MM TOLERANCES UNLESS OTHER SPECIFIED		MATL	HT TR	FIN
0	= ±-	1	—	— ✓
0.0	= ±0.15	DWN	APVD	Pexon
0.00	= ±0.10	Qin	REL	
0.000	= ±	CHK	REL	NAME BATTERY POGO CONNECTOR 3 POSITIONS PGC-1.5-4.0-R-3P-2.54PH
ANGLE: ±1°				
SURF TEXTURE: 3.2/√		SCALE	A4	DWG NO. C-100424
REMOVE BURRS. BREAK SHARP EDGES R0.05 MAX DO NOT SCALE PRINT		1:1		SHEET 1 OF 1
				REV A

LDC	-
DIST	-

	NEW		2008/11/12
LTR	REVISION RECORD	APVD	DATE



**PEXON**

E-mail: [sale@pinconnector.com](mailto:sale@pinconnector.com)

WhatsApp: +86-13361867201

[www.pinconnector.com](http://www.pinconnector.com)