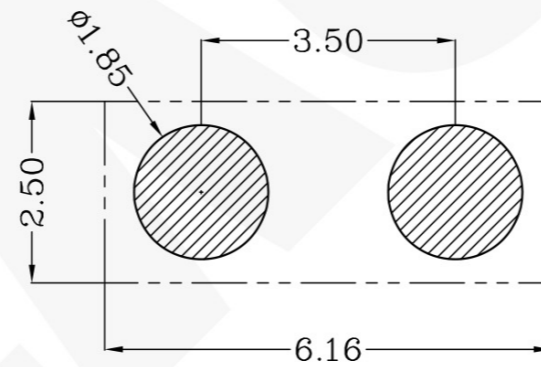
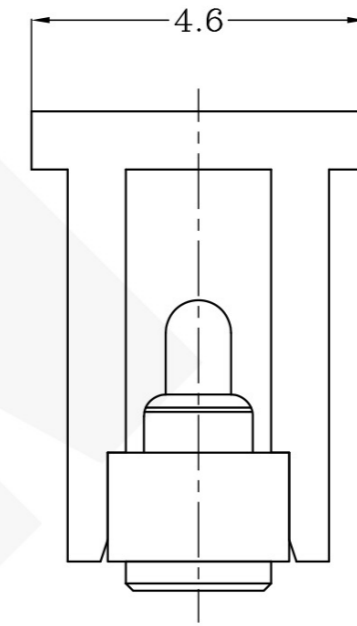
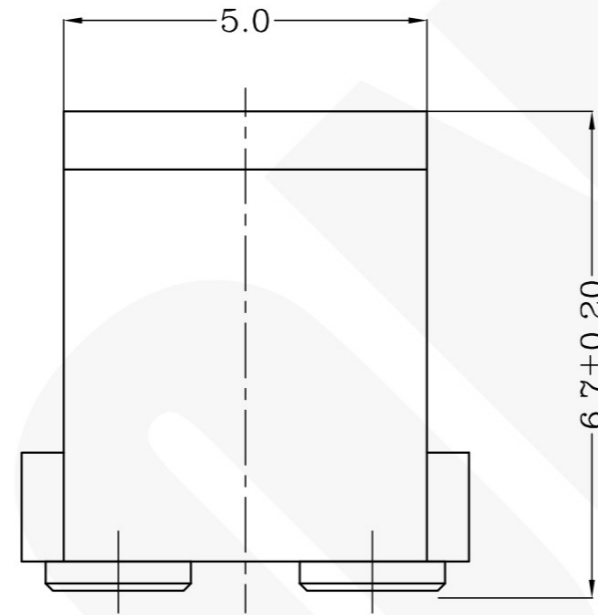
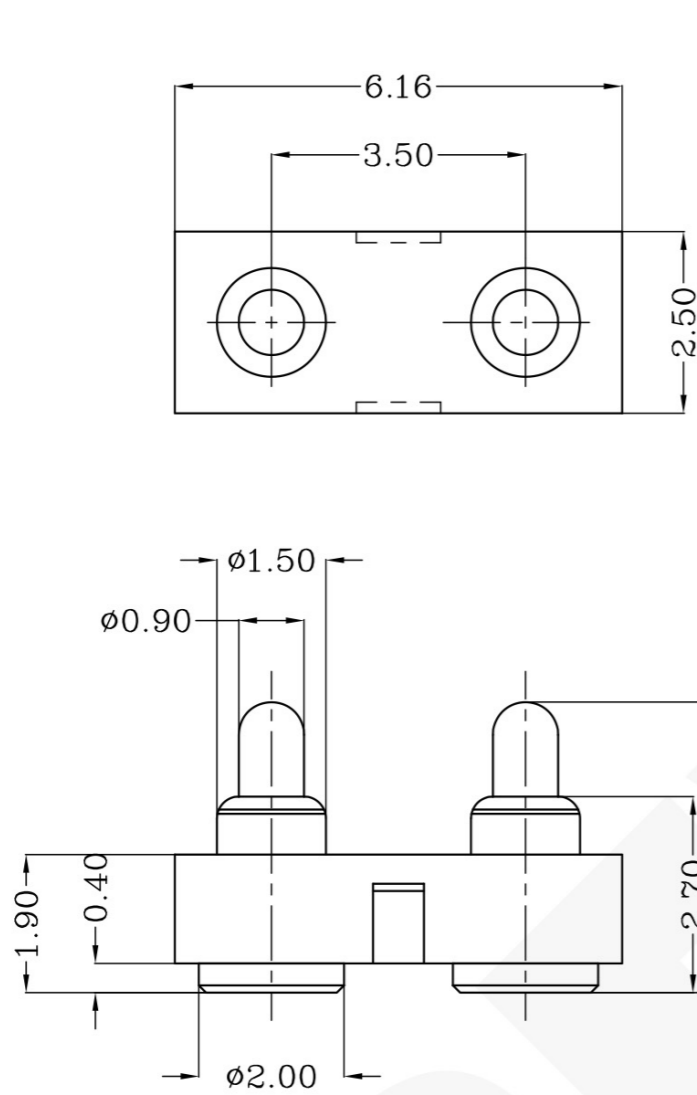


THIS INFORMATION IS CONFIDENTIAL AND IS DISCLOSED TO YOU ON CONDITION THAT NO FURTHER DISCLOSURE IS MADE BY YOU TO OTHER THAN PEXON PERSONNEL WITHOUT WRITTEN AUTHORIZATION FROM PEXON LTD.

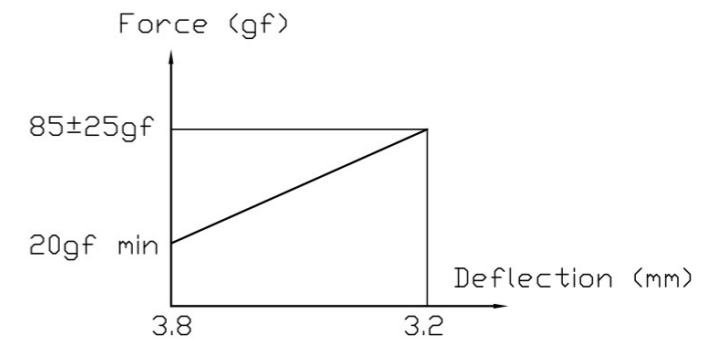
DWG NO. C-100419



USED ON -



Recommended PCB Layout



- Notes:
- 1 Material, Housing: PA 4.6 (30% Glass Filled)
Color Black.
Contact: Brass
 - 2 Mechanical demands:
Body: Min 0.1um Gold plating over min. 1.4um Nickle plating
Plunger: Min 0.4um Gold plating over min. 1.4um Nickle plating

100419-2

PART NUMBER

DIMENSIONS IN MM
TOLERANCES UNLESS
OTHER SPECIFIED
0 = ±-
0.0 = ±0.15
0.00 = ±0.10
0.000 = ±
ANGLE: ±1°
SURF TEXTURE: 3.2/
REMOVE BURRS. BREAK
SHARP EDGES R0.05 MAX
DO NOT SCALE PRINT

MATL	△ 1	HT TR	-	FIN	- ✓
DWN	Qin	APVD	Lansing	PEXON	
CHK	Jim	REL			
NAME	BATTERY POGO CONNECTOR 2 POSITIONS PGC-1.5-4.0-R-2P-3.5PH				
SCALE	1:1	A4	DWG NO.	C-100419	SHEET 1 OF 1
					REV A

LDC	-
DIST	-

	NEW		2008/10/29
LTR	REVISION RECORD	APVD	DATE

4

3

2

1

D

C

B

A



PEXON

E-mail: sale@pinconnector.com

WhatsApp: +86-13361867201

www.pinconnector.com