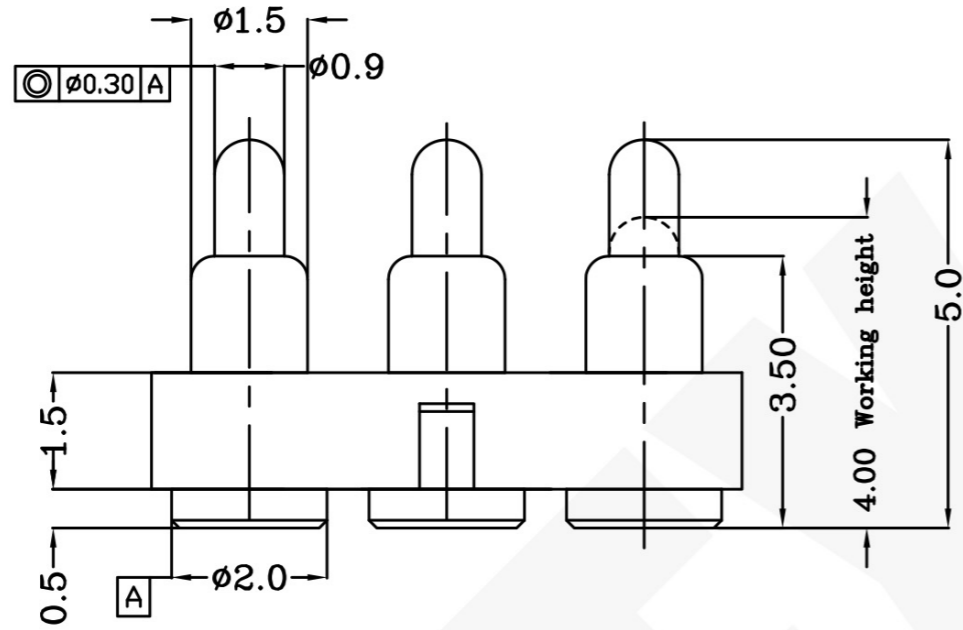
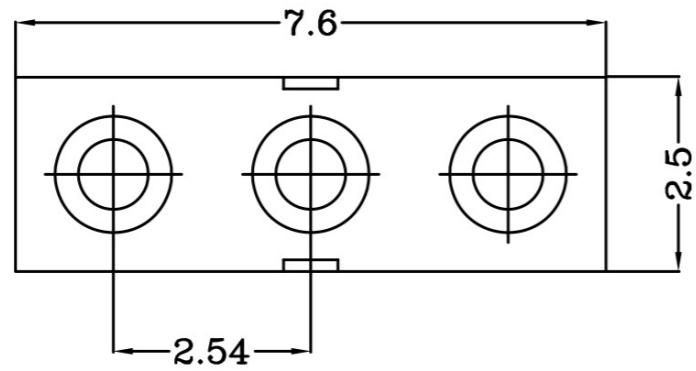


THIS INFORMATION IS CONFIDENTIAL AND IS DISCLOSED TO YOU ON CONDITION THAT NO FURTHER DISCLOSURE IS MADE BY YOU TO OTHER THAN PEXON PERSONNEL WITHOUT WRITTEN AUTHORIZATION FROM PEXON LTD.

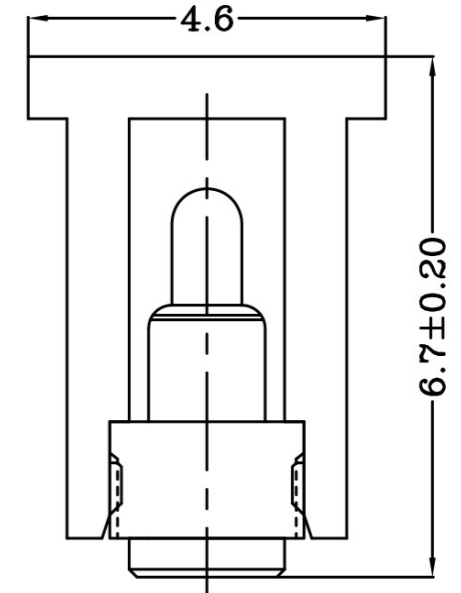
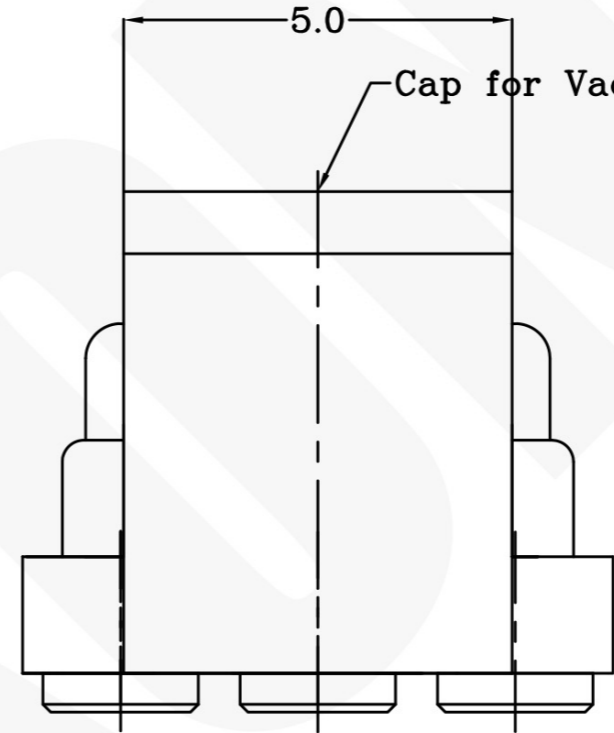
DWN No.: C-100782



Notes:

- 1 Demensions shall be interpreted per ASME Y14.5M.
- 2 Mechanical performance(See the table 1)
- <2.1>The force is the average of forces obtained when plunger goes downwards and upwards.
- 3 Electrical performance  
Resistance: 200mOhm Max.Current rating: 1.0A
- 4 Packaging Spec.Comformance to EIA 481
- 5 RoHS compliant.

Item	Part name	Q'ty/Ea'	Material	Finish
1	HSG	1	High temp.Plastic UL94 V-0 Color Black	_____
2	Body	3	Leaded Brass	Gold plating over Nickel plating
3	Plunger	3	Leaded Brass	Gold plating over Nickel plating
4	Spring	3	Stainless steel wire	_____
5	CAP	1	High temp.Plastic UL94 V-0 Color Black	_____



Working height	4.00mm	35±15gf <2.1>
Durability	10000cycle	

100782-3  
PART NUMBER

Top-Link Electronics Ltd.		Type	Customer drawing	Unit	mm	Weight	
TOLERANCES UNLESS OTHER SPECIFIED		DWN:	Qin Zuozhong	APVD:		<b>PEXON</b>	
0. = ± -		CHK:		REL:			
0.0 = ± 0.15		Name				Customer drawing	
0.00 = ± 0.10		Scale	1:1	Size	A4	DWG No.	C-100782
0.000 = ± -						Page	1/1
Angle: ±1°						Rev.	1
SURF TEXTURE: REMOVE BURRS. BREAK SHARP EDGES R0.05 MAX.DO NOT SCALE PRINT.							

Rev.	Revision record.	Date.
4		
3	NEW	2012/02/04

DIST  
---



**PEXON**

E-mail: [sale@pinconnector.com](mailto:sale@pinconnector.com)

WhatsApp: +86-13361867201

[www.pinconnector.com](http://www.pinconnector.com)