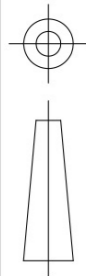
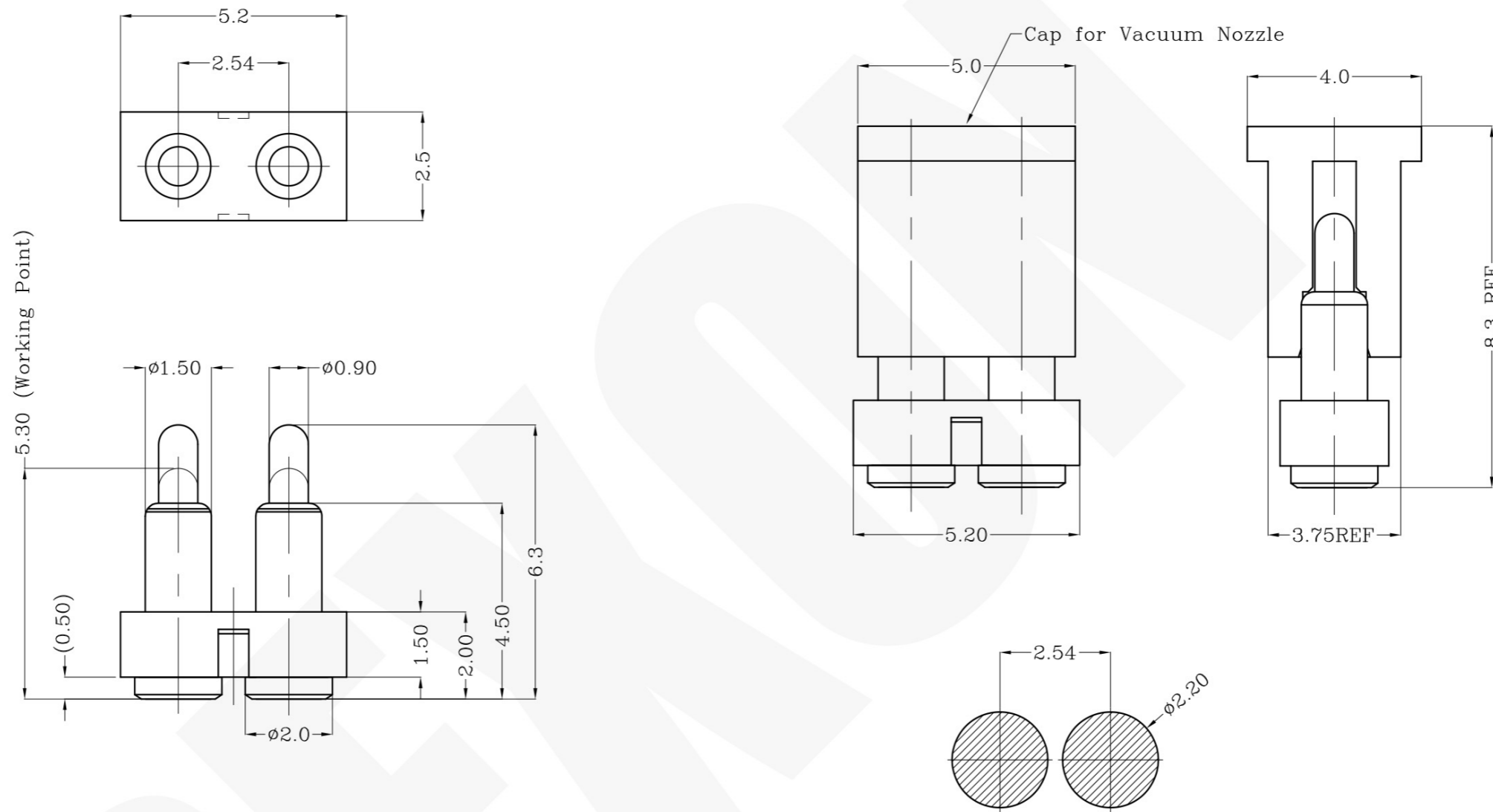


THIS INFORMATION IS CONFIDENTIAL AND IS DISCLOSED TO YOU ON CONDITION THAT NO FURTHER DISCLOSURE IS MADE BY YOU TO OTHER THAN PEXON PERSONNEL WITHOUT WRITTEN AUTHORIZATION FROM PEXON LTD.

DWG NO.
C-100244



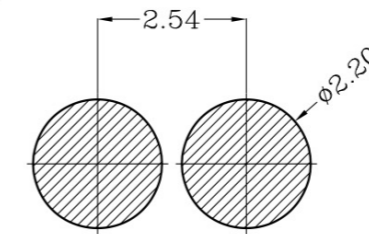
USED ON
—



Notes:

- Material, Housing: PA 4.6 (30% Glass Filled)
Color Black.
Contact: Brass
- Mechanical demands:
Spring force: 105±25g with 1.0mm stroke.
Full stroke: 1.5mm
Plating Plunger: Min. 0.4um Au over 1.4um Ni
Plating Body: Min. 0.1um Au over 1.4um Ni.

Recommended solder patse thickness is 0.10 mm
Recommended PCB Layout



LDC	-
DIST	-

	変更CAP		2010/06/08
	NEW		2009/09/08
LTR	REVISION RECORD	APVD	DATE

DIMENSIONS IN MM
TOLERANCES UNLESS
OTHER SPECIFIED
0 = ±
0.0 = ±0.15
0.00 = ±0.10
0.000 = ±
ANGLE: ±1°
SURF TEXTURE: 3.2/
REMOVE BURRS. BREAK
SHARP EDGES R0.05 MAX
DO NOT SCALE PRINT

MATL	△1	HT TR	—	FIN	— ✓
DWN	Qin	APVD		Pexon	
CHK		REL			
NAME POGO CONNECTOR 2 POSITIONS PGC-1.5-6.3-R-2P-2.54PH					
SCALE	1:1	A4	DWG NO. C-100244	SHEET 1 OF 2	REV B

4

3

2

1

D

C

B

A



PEXON

E-mail: sale@pinconnector.com

WhatsApp: +86-13361867201

www.pinconnector.com