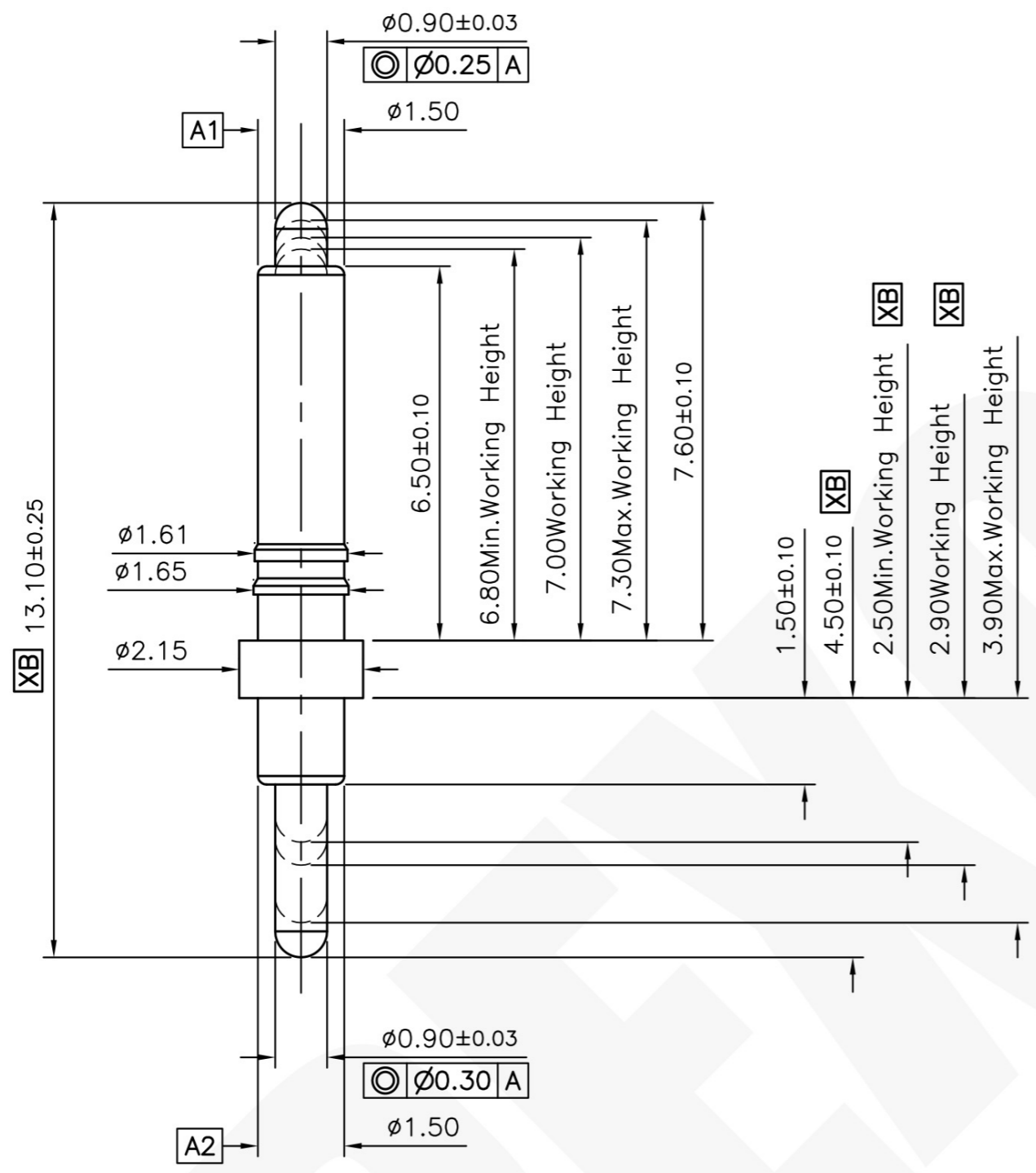
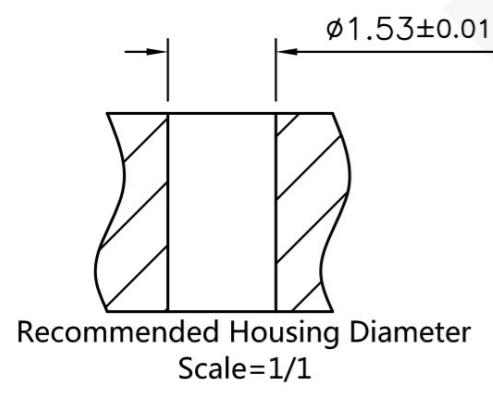


THIS INFORMATION IS CONFIDENTIAL AND IS DISCLOSED TO YOU ON CONDITION THAT NO FURTHER DISCLOSURE IS MADE BY YOU TO OTHER THAN PEXON PERSONNEL WITHOUT WRITTEN AUTHORIZATION FROM PEXON LTD.



- Notes:
- Dimensions shall be interpreted per ASME Y14.5M
  - Mechanical performance (See the table 1)
    - <2.1> The force is the average of forces obtained when plunger goes downwards and upwards
    - <2.2> Warning: Working height are not permitted to be less than Min working height
  - Electrical performance
    - <3.1> Current rating: 3.0A MAX
    - <3.2> Voltage rating: 36VAC/DC
    - <3.3> Pin Resistance: 30mOhm Max (Statically, at working height)
  - Environmental performance
    - <4.1> RoHS2.0 compliant
    - <4.2> Operating Temperature range: -40°C ~ +85°C
    - <4.3> Withstanding High Temperature: 260°C/10Sec
  - Packaging: Bag.

Working Height(long)	7.00mm	90±20gf
Working Height(short)	2.90mm	90±20gf
Durability	10000 Cycles Min.	



XB	Design Change	2008.01.30
XA	New Release	2017.08.03
Item	Revision record	Date

Top-Link  
Electronics LTD.  
TOLERANCES UNLESS  
OTHER SPECIFIED  
0. = ± 0.25  
0.0 = ± 0.15  
0.00 = ± 0.10  
0.000 = ± 0.05  
Angle: ±1°  
SURF TEXTURE: Ra1.6  
REMOVE BURRS.  
BREAK SHARP  
EDGES R0.05 MAX.

4	Body	1pcs	Leaded Brass	Au 0.1um min plated over 1.4um min Ni
3	Plunger(Long)	1pcs	Brass	Au 0.4um min plated over 1.4um min Ni
2	Plunger(Short)	1pcs	Brass	Au 0.4um min plated over 1.4um min Ni
1	Spring	2pcs	Stainless steel wire	-----
Item	Part Name	Q'TY	Material	Finish
Type			Customer drawing	Unit mm
DRW: Fred Liu		APRD:		<b>PEXON</b>
CHK:		REL:		
Name Pogo Pin				
Scale 1:1	Size A4	Part NO. 20101011974		Page 1/1
				Rev: XB



**PEXON**

E-mail: [sale@pinconnector.com](mailto:sale@pinconnector.com)

WhatsApp: +86-13361867201

[www.pinconnector.com](http://www.pinconnector.com)