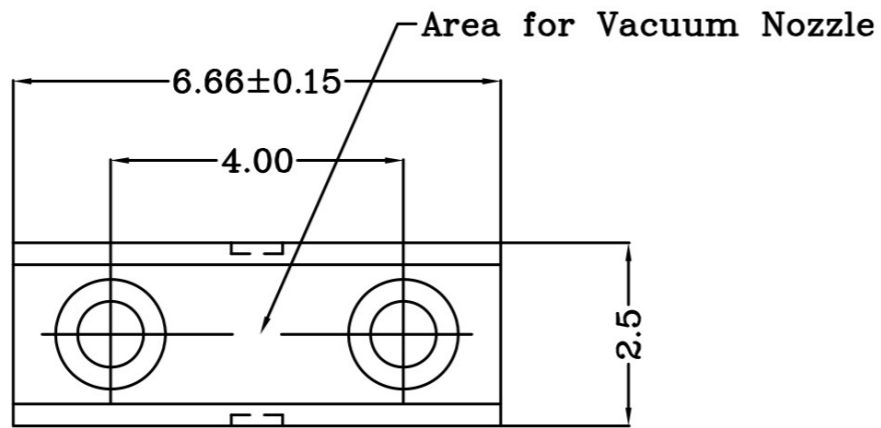
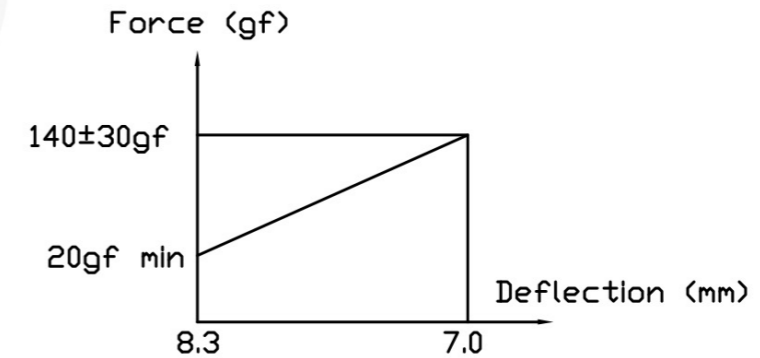
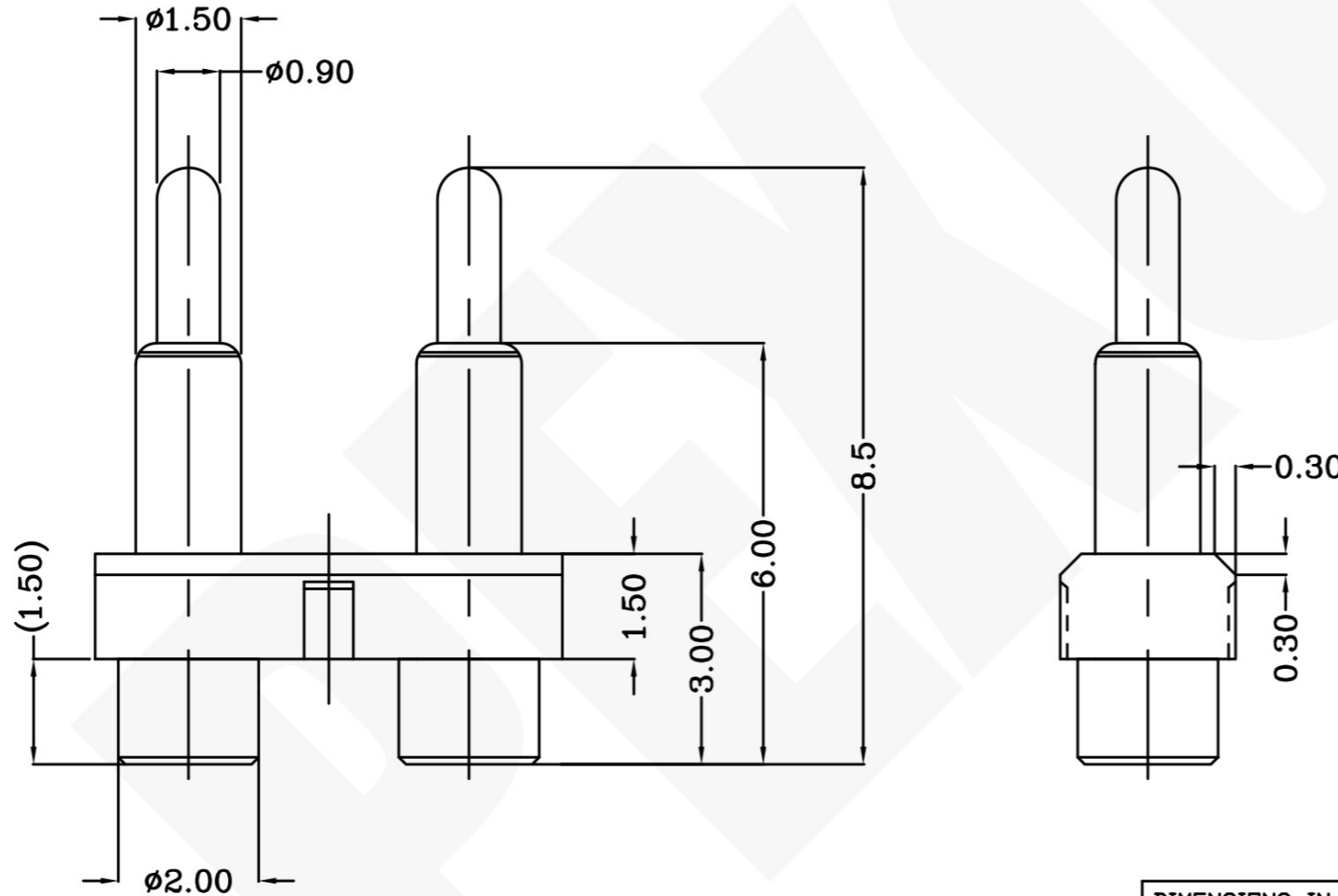


USED ON
-

DWG NO.
C-100076-2



- Notes:
- 1 Material, Housing: PA 4.6 (30% Glass Filled)
Color Black.
Contact: Brass
 - 2 Mechanical demands:
Plating Plunger: Min 0.4Um Au over 1.5um Ni
Plating Body: Min 0.1Um Au over 1.4um .



THIS INFORMATION IS CONFIDENTIAL AND IS DISCLOSED TO YOU ON CONDITION THAT NO FURTHER DISCLOSURE IS MADE BY YOU TO OTHER THAN PEXON PERSONNEL WITHOUT WRITTEN AUTHORIZATION FROM PEXON LTD.

LDC
-
DIST
-

LTR	REVISION RECORD	APVD	DATE
	NEW		2007/05/18

DIMENSIONS IN MM
TOLERANCES UNLESS
OTHER SPECIFIED
0 = ±
0.0 = ±0.15
0.00 = ±0.10
0.000 = ±
ANGLE: ±1°
SURF TEXTURE: 3.2/
REMOVE BURRS. BREAK
SHARP EDGES R0.05 MAX
DO NOT SCALE PRINT

MATL	△ 1	HT TR	-	FIN	- ✓
DWN	Benny	APVD	Lansing	PEXON	
CHK	Andy	REL			
NAME BATTERY POGO CONNECTOR 2 POSITIONS PGC-1.5-8.5-R-2P-4.0PH					
SCALE	1:1	A4	DWG NO. C-100076-2	SHEET	1 OF 1
				REV	A

4

3

2

1

D

C

B

A



PEXON

E-mail: sale@pinconnector.com

WhatsApp: +86-13361867201

www.pinconnector.com