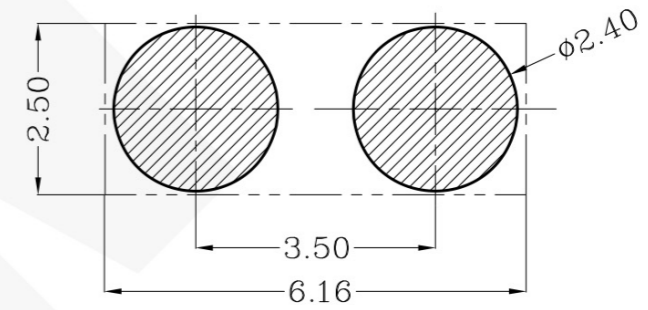
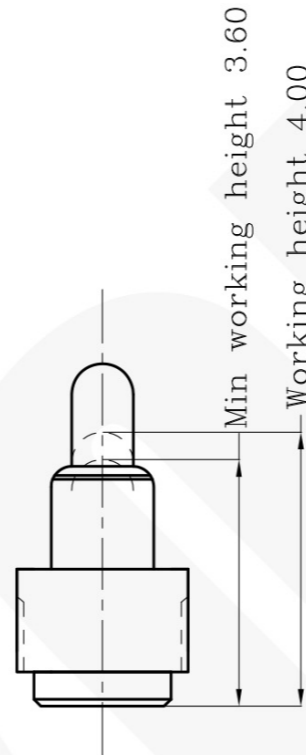
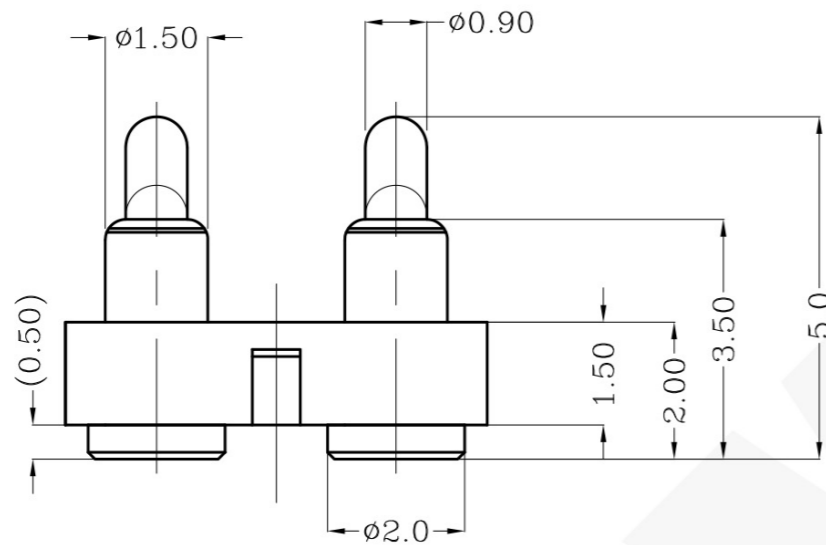
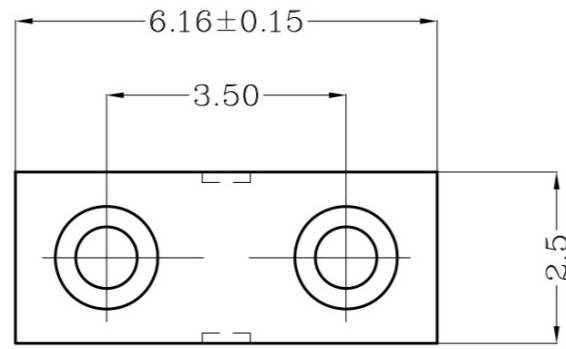


THIS INFORMATION IS CONFIDENTIAL AND IS DISCLOSED TO YOU ON CONDITION THAT NO FURTHER DISCLOSURE IS MADE BY YOU TO OTHER THAN PEXON PERSONNEL WITHOUT WRITTEN AUTHORIZATION FROM PEXON LTD.

DWN No.: C-100345



Recommended PCB Layout

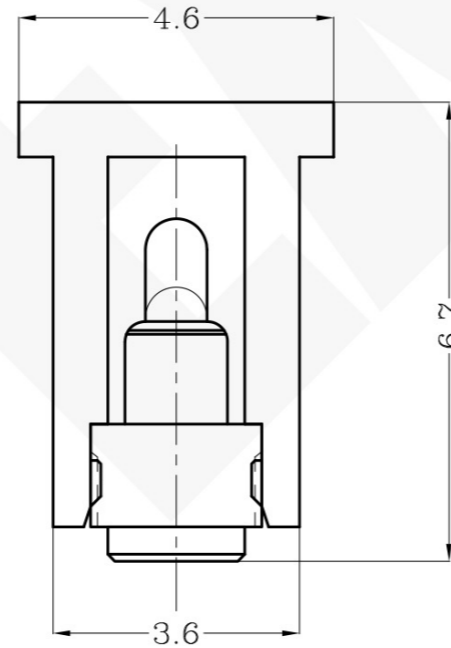
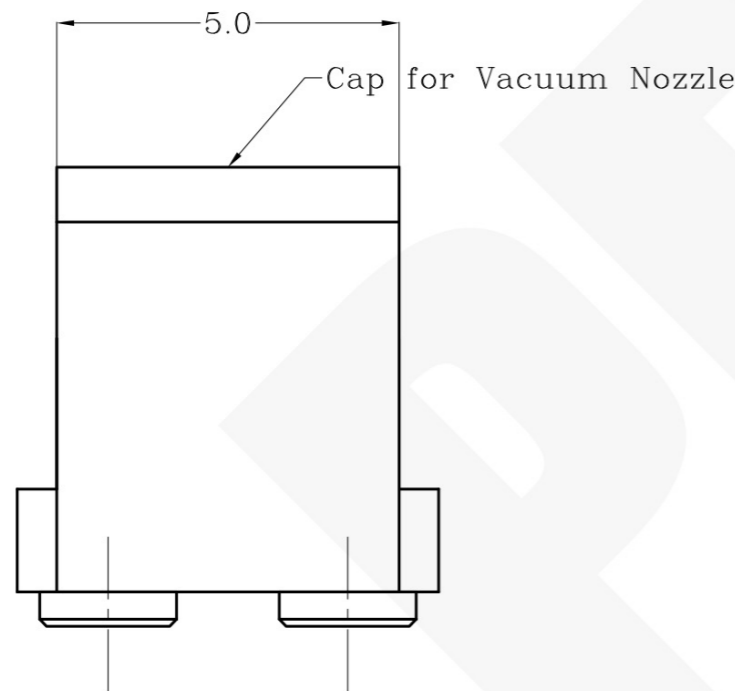
Item	Part name	Q'ty/Ea'	Material	Finish
1	HSG	1	High temp.Plastic UL94 V-0 Color Black	_____
2	Body	2	Leaded Brass	Gold plating over Nickel plating
3	Plunger	2	Leaded Brass	Gold plating over Nickel plating
4	Spring	2	Stainless steel wire	_____
5	CAP	1	High temp.Plastic UL94 V-0 Color Black	_____

Table 1 Mechanical performance

Max.working height	4.00mm	75gf Min. <2.1>
Durability	10000cycle	

Notes:

- 1 Demensions shall be interpreted per ASME Y14.5M.
- 2 Mechanical performance(See the table 1)  
<2.1>The force is the average of forces obtained when plunger goes downwards and upwards.  
<2.2>Warning: Working height are not permitted to be less than Min working height.
- 3 Electrical performance  
Resistance: 30mOhm Max.  
Current rating: 2.0A
- 4 Packaging Specification comforms to EIA 481
- 5 RoHS compliant.



Top-Link Electronics Ltd.		Type	Customer drawing	Unit	mm	Weight
TOLERANCES UNLESS OTHER SPECIFIED		DWN:	Minos	APVD:		<b>PEXON</b>
0. = ± -		CHK:		REL:		
0.0 = ± 0.15		Name				POGO PIN CONNECTOR
0.00 = ± 0.10		Scale	1:1	Size	A4	
0.000 = ± -		DWG No.	C-100345		Page	1/1
Angle: ±1°		Rev.	1		Rev.	1
SURF TEXTURE: REMOVE BURRS.						
BREAK SHARP EDGES R0.05 MAX.DO NOT SCALE PRINT.						

Rev.	NEW	2014/06/30
Revision record.		Date.

DIST  
---

DIST  
---

4

3

2

1

A

B

C

D



**PEXON**

E-mail: [sale@pinconnector.com](mailto:sale@pinconnector.com)

WhatsApp: +86-13361867201

[www.pinconnector.com](http://www.pinconnector.com)