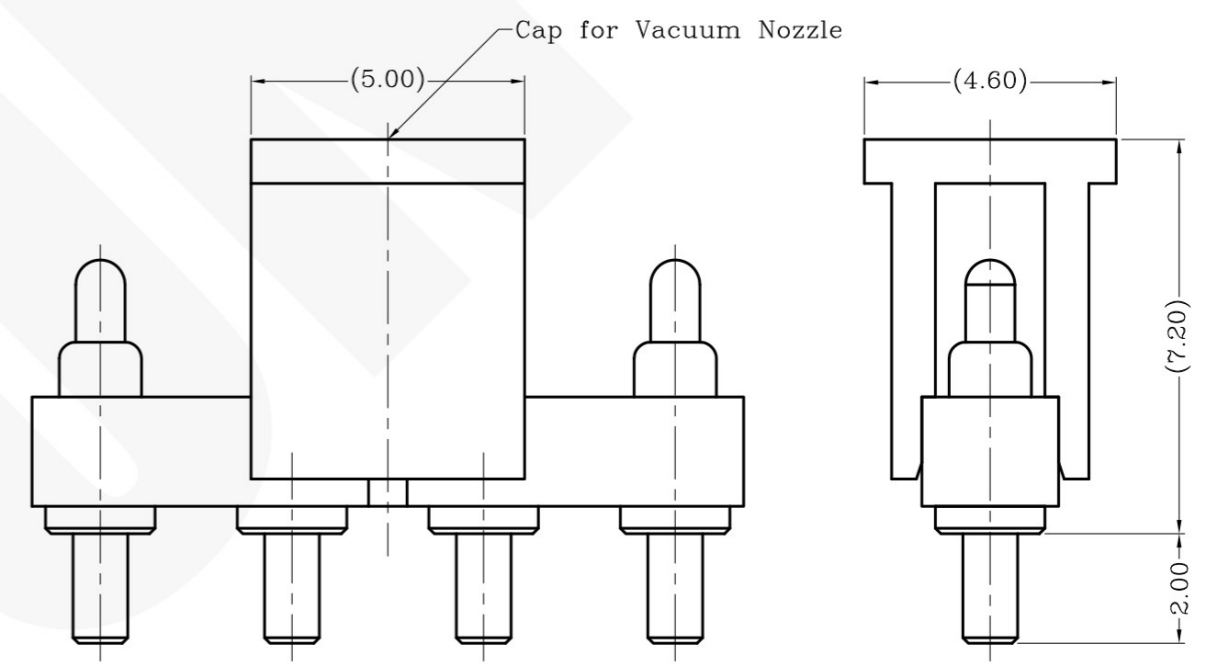


Recommended PCB Layout

- Notes:
- 1 Dimensions shall be interpreted per ASME Y14.5M.
  - 2 Mechanical performance(See the table 1)  
 <2.1>The force is the average of forces obtained when plunger goes downwards and upwards.  
 <2.2>Warning: Working height are not permitted to be less than Min working height.
  - 3 Electrical performance  
 Resistance: 30mOhm Max.  
 ⚠ Current rating: 2.0A
  - 4 Packaging specification conforms to EIA 481
  - 5 RoHS compliant.

Item	Part name	Q'ty/Ea'	Material	Finish
1	HSG	1	High temp.Plastic UL94 V-0 Color Black	_____
2	Body	4	Leaded Brass	⚠ Min Au 0.10um over min Ni 1.4um
3	Plunger	4	Leaded Brass	Min Au 0.40um over min Ni 1.4um
4	Spring	4	Stainless steel wire	_____
5	CAP	1	High temp.Plastic UL94 V-0 Color Black	_____



Working height	4.00mm	105±30gf <2.1>
Durability	10000cycle	

10101041608  
PART NUMBER

Top-Link Electronics Ltd.		Type Customer drawing	Unit mm	Weight _____
TOLERANCES UNLESS OTHER SPECIFIED 0. = ± - 0.0 = ± 0.15 0.00 = ± 0.10 0.000 = ± - Angle: ±1° SURF TEXTURE: REMOVE BURRS. BREAK SHARP EDGES R0.05 MAX.DO NOT SCALE PRINT.		DWN: Caiwanlu	APVD:	<b>PEXON</b>
		CHK:	REL:	
		Name Pogo pin connector		
Scale 1:1	Size A4	DWG No. C-10101041608	Page 1/1	Rev. 2

Rev.	Revision record.	Date.
2	Update	2016/03/28
1	NEW	2016/03/28

DIST  
---  
DIST  
---



**PEXON**

E-mail: [sale@pinconnector.com](mailto:sale@pinconnector.com)

WhatsApp: +86-13361867201

[www.pinconnector.com](http://www.pinconnector.com)