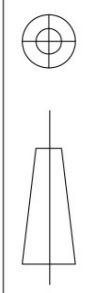
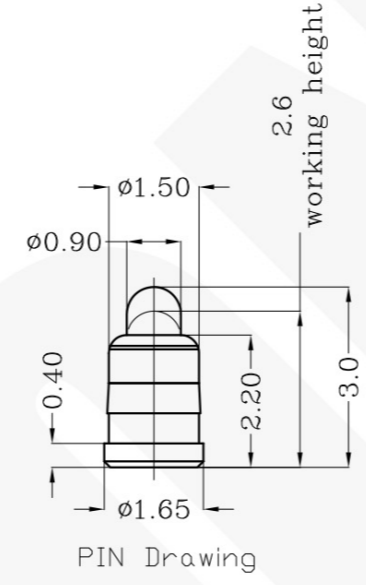
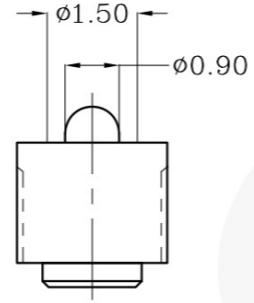
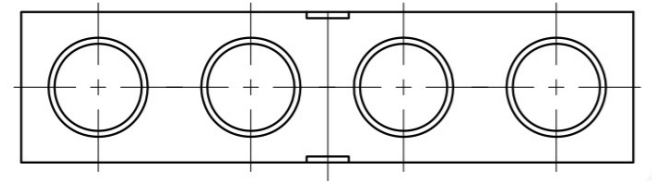
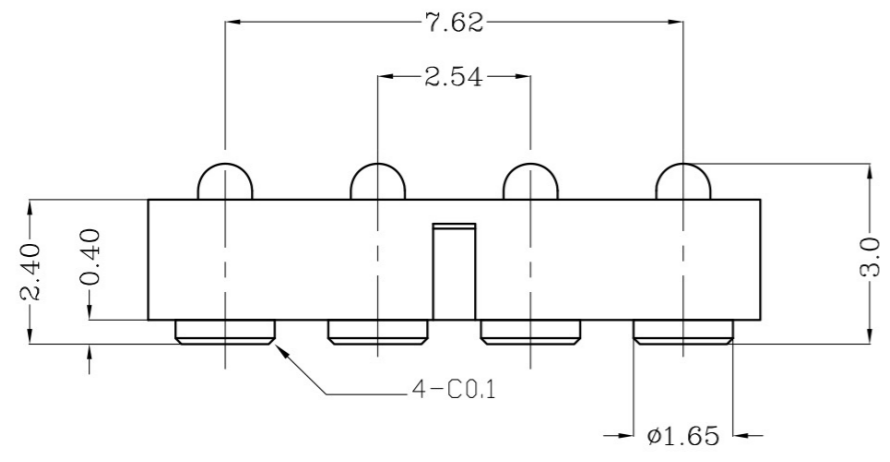
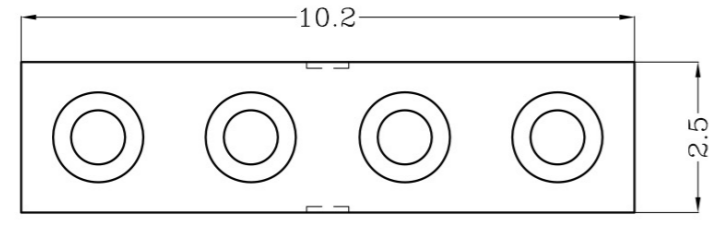


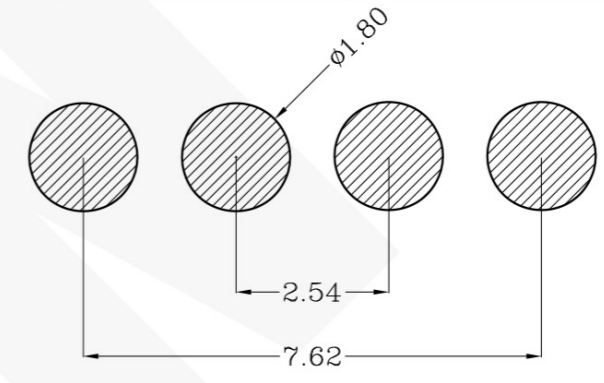
DWN No.: C-100871



THIS INFORMATION IS CONFIDENTIAL AND IS DISCLOSED TO YOU ON CONDITION THAT NO FURTHER DISCLOSURE IS MADE BY YOU TO OTHER THAN PEXON PERSONNEL WITHOUT WRITTEN AUTHORIZATION FROM PEXON LTD.

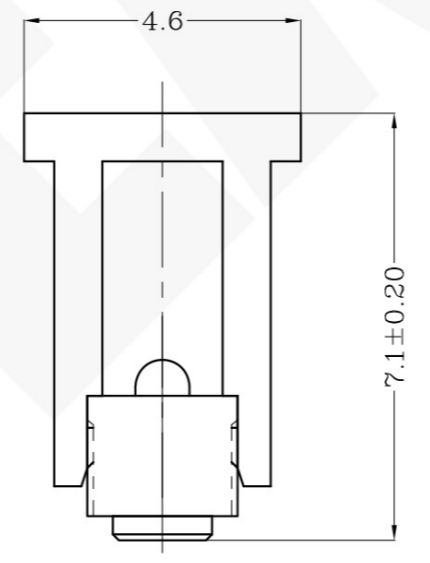
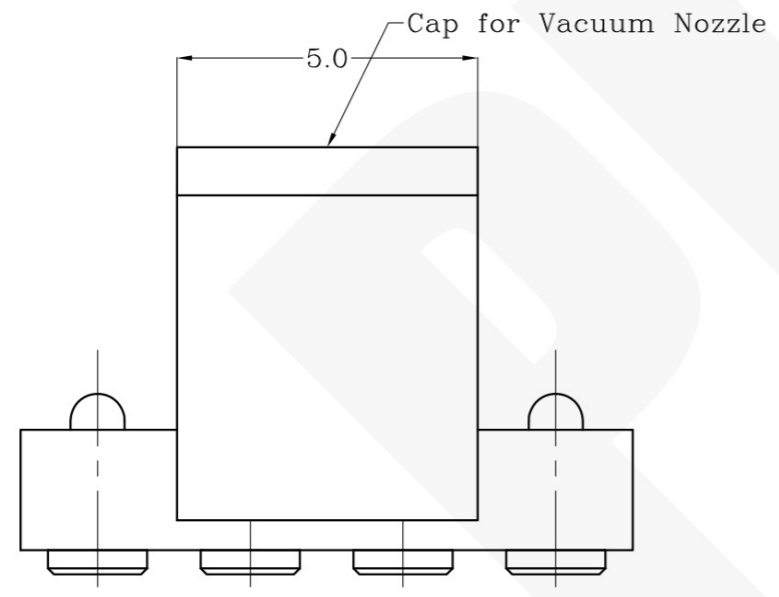


Item	Part name	Q'ty/Ea'	Material	Finish
1	HSG	1	High temp.Plastic UL94 V-0 Color Black	_____
2	Body	4	Leaded Brass	Gold plating over Nickel plating
3	Plunger	4	Leaded Brass	Gold plating over Nickel plating
4	Spring	4	Stainless steel wire	_____
5	CAP	1	High temp.Plastic UL94 V-0 Color Black	_____



Recommended PCB Layout

Working height	2.6mm	40gf Max <2.1>
Durability	10000cycle	



Notes:
 1 Demensions shall be interpreted per ASME Y14.5M.
 2 Mechanical performance(See the table 1)
 <2.1>The force is the average of forces obtained when plunger goes downwards and upwards.
 3 Electrical performance
 Resistance: 200mOhm Max.Current rating: 0.3A
 4 RoHS compliant.

100871-4
PART NUMBER

DIST

Rev.	Revision record.	Date.
	NEW	2012/05/31
3		

Top-Link Electronics Ltd.		Type	Customer drawing	Unit	mm	Weight
TOLERANCES UNLESS OTHER SPECIFIED		DWN:		APVD:		PEXON
0. = ± -		CHK:		REL:		
0.0 = ± 0.15		Name				Customer drawing
0.00 = ± 0.10		Scale	1:1	Size	A4	DWG No.
0.000 = ± -						C-100871
Angle: ±'						Page
SURF TEXTURE: REMOVE BURRS.						1/1
BREAK SHARP EDGES R0.05 MAX.DO NOT SCALE PRINT.						Rev.
						1



PEXON

E-mail: sale@pinconnector.com

WhatsApp: +86-13361867201

www.pinconnector.com