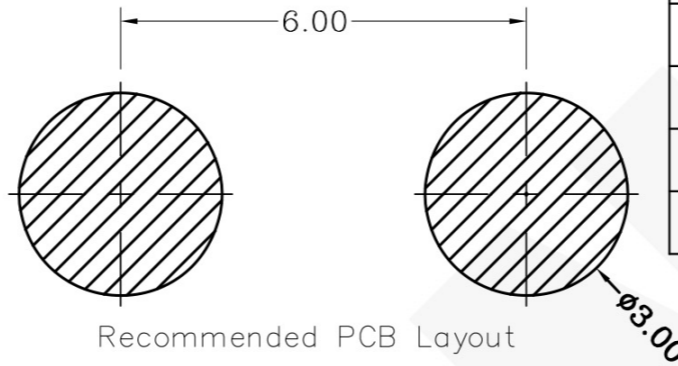
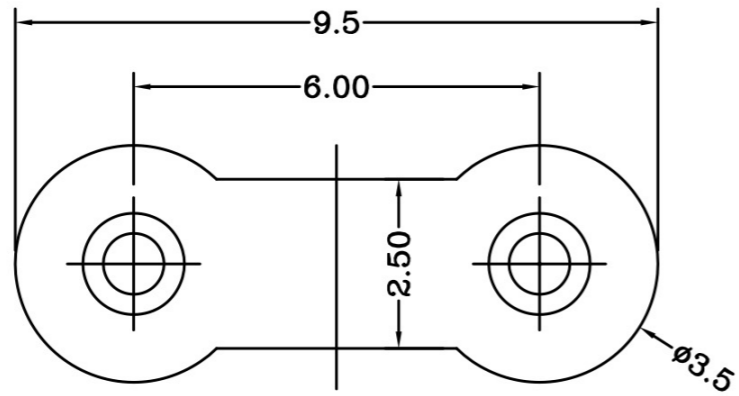
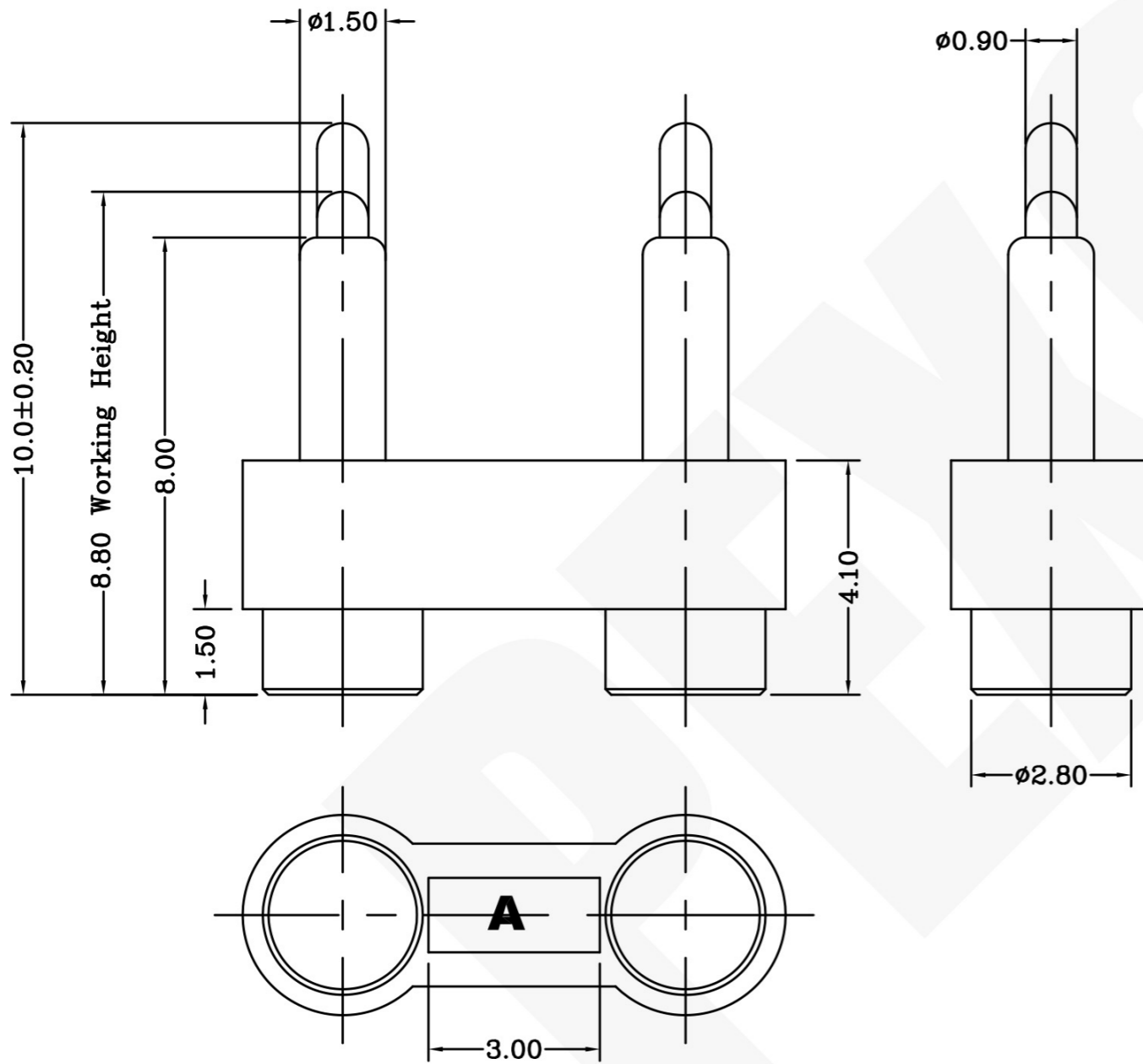


THIS INFORMATION IS CONFIDENTIAL AND IS DISCLOSED TO YOU ON CONDITION THAT NO FURTHER DISCLOSURE IS MADE BY YOU TO OTHER THAN PEXON PERSONNEL WITHOUT WRITTEN AUTHORIZATION FROM PEXON LTD.

DWN No.: C-100089



Item	Part name	Q'ty/Ea'	Material	Finish
1	HSG	1	High temp.Plastic UL94 V-0 Color Black	_____
2	Body	2	Leaded Brass	Gold plating over Nickel plating
3	Plunger	2	Leaded Brass	Gold plating over Nickel plating
4	Spring	2	Stainless steel wire	_____
5				



Working height	8.8mm	120+60/-20gf <2.1>
Durability	10000cycle	

Notes:

- Dimensions shall be interpreted per ASME Y14.5M.
- Mechanical performance(See the table 1)
<2.1>The force is the average of forces obtained when plunger goes downwards and upwards.
<2.2>Warning: Working height are not permitted to be less than Min working height.
- Electrical performance
Resistance: 30mOhm Max.
Operating voltage: 36VDC
Current rating: 2.0A
- RoHS compliant.

DIST

DIST

Rev.	Revision record.	Date.
	NEW	2014/04/21

Top-Link Electronics Ltd.		Type Customer drawing	Unit mm	Weight
TOLERANCES UNLESS OTHER SPECIFIED		DWN: Minos	APVD:	PEXON
0. = ± -		CHK:	REL:	
0.0 = ± 0.15		Name Pogo pin connector		
0.00 = ± 0.10		Scale 1:1	Size A4	DWG No. C-100089
0.000 = ± -		Page 1/1		Rev. A
Angle: ±1°				
SURF TEXTURE: REMOVE BURRS.				
BREAK SHARP EDGES R0.05 MAX.DO NOT SCALE PRINT.				

100089-2
PART NUMBER



PEXON

E-mail: sale@pinconnector.com

WhatsApp: +86-13361867201

www.pinconnector.com