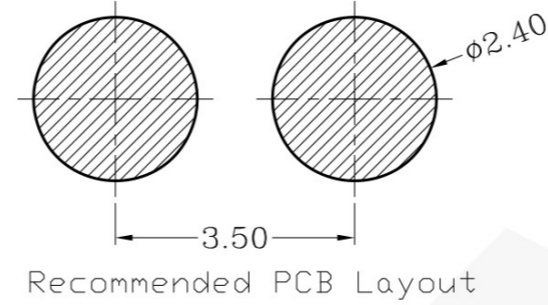
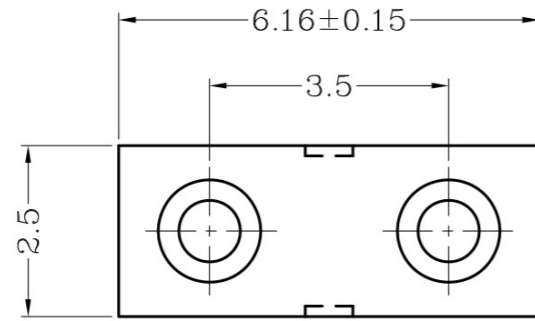
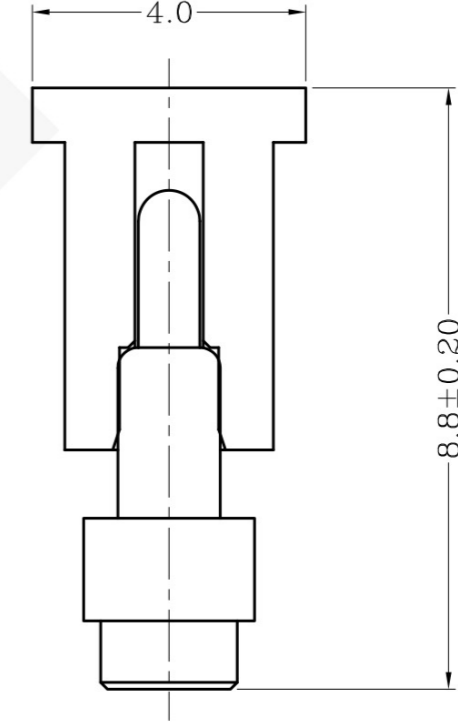
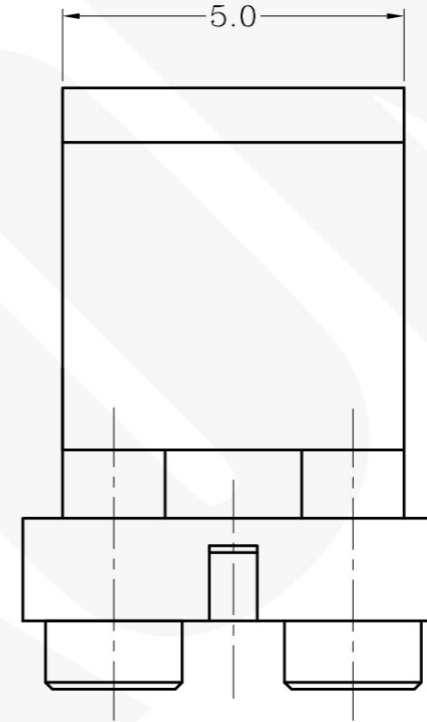
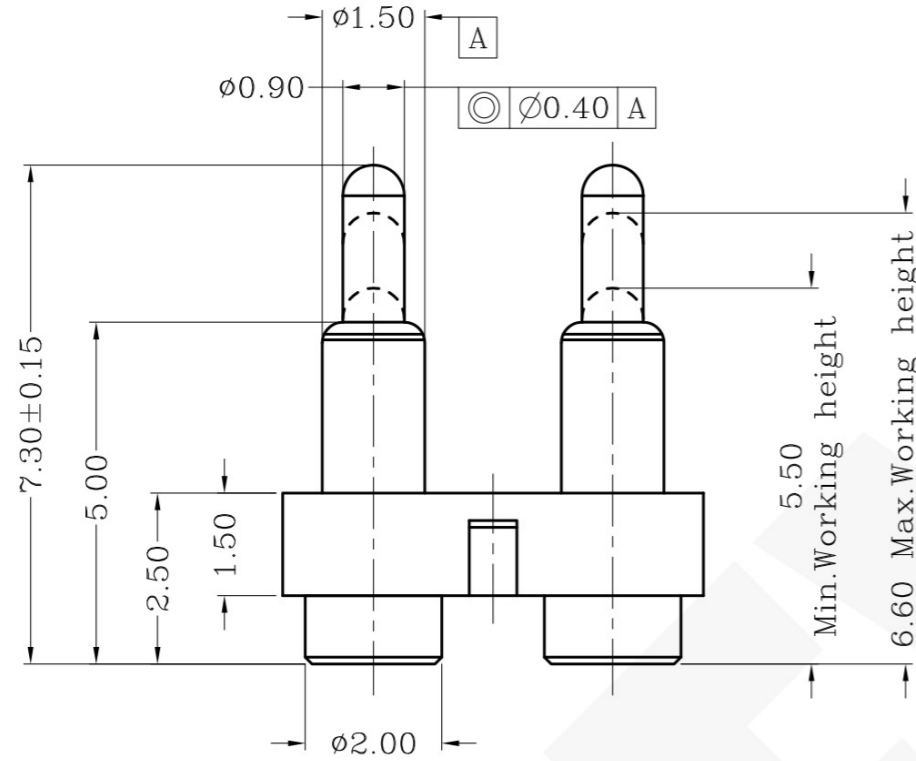


THIS INFORMATION IS CONFIDENTIAL AND IS DISCLOSED TO YOU ON CONDITION THAT NO FURTHER DISCLOSURE IS MADE BY YOU TO OTHER THAN PEXON PERSONNEL WITHOUT WRITTEN AUTHORIZATION FROM PEXON LTD.

DWN No: C-100070



Item	Part name	Q'ty/Ea'	Material	Finish
1	HSG	1	High temp.Plastic UL94 V-0 Color Black	_____
2	Body	2	Leaded Brass	Gold plating over Nickel plating
3	Plunger	2	Leaded Brass	Gold plating over Nickel plating
4	Spring	2	Stainless steel wire	_____
5	CAP	1	High temp.Plastic UL94 V-0 Color Black	_____



Notes:

- Dimensions shall be interpreted per ASME Y14.5M.
- Mechanical performance(See the table 1)
 - The force is the average of forces obtained when plunger goes downwards and upwards.
 - Warning: Working height are not permitted to be less than Min working height.
- Electrical performance
 Resistance: 30mOhm Max.
 Current rating: 2.0A
- Packaging specification conforms to EIA 481
- RoHS compliant.

Max.working height	6.50mm	90±30gf <2.1>
Min.working height	5.50mm	190±35gf
Durability	10000cycle	

100070-2

PART NUMBER

Top-Link Electronics Ltd.		Type	Customer drawing	Unit	mm	Weight	_____
TOLERANCES UNLESS OTHER SPECIFIED		DWN:	Caiwanlu	APVD:		Pexon	
0. = ± -		CHK:		REL:			
0.0 = ± 0.15		Name				Pogo pin connector	
0.00 = ± 0.10		Scale	1:1	Size	A4	DWG No.	C-100070
0.000 = ± -		Page	1/1	Rev.	C1		
Angle: ±1°							
SURF TEXTURE: REMOVE BURRS. BREAK SHARP EDGES R0.05 MAX.DO NOT SCALE PRINT.							

Rev.	Revision record.	Date.
C1	Replace the drawing frame	2015/09/17
C	ADD CAP-003	2007/06/04

DIST

DIST



PEXON

E-mail: sale@pinconnector.com

WhatsApp: +86-13361867201

www.pinconnector.com