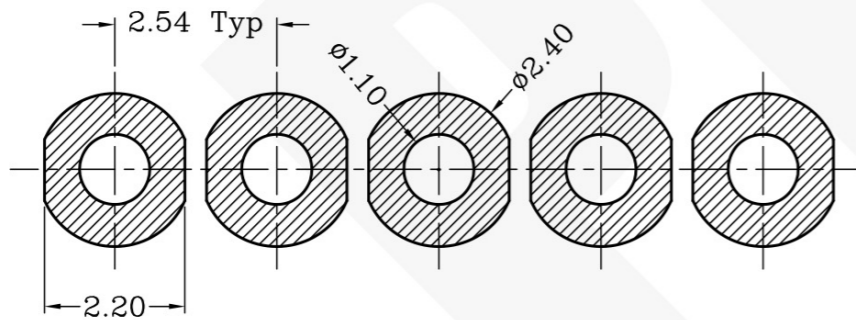
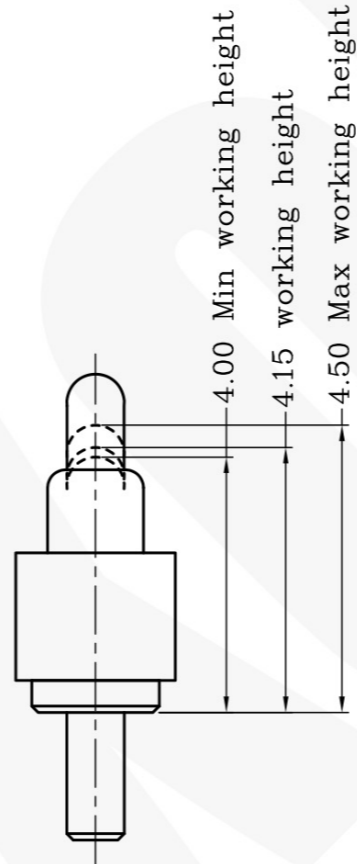
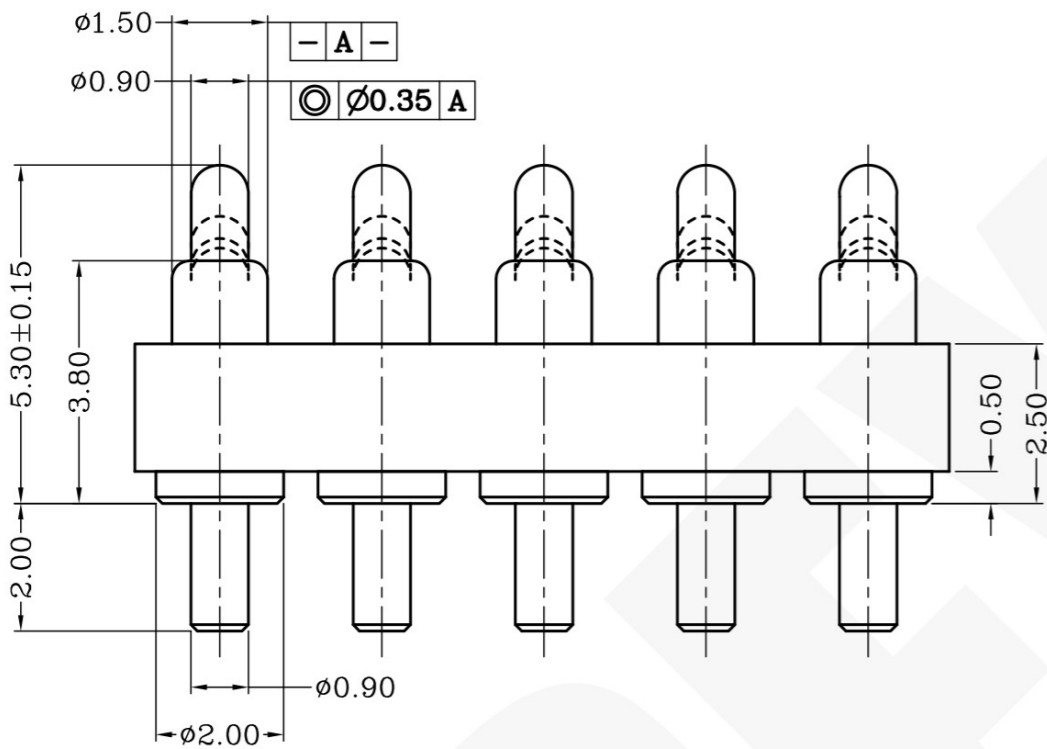
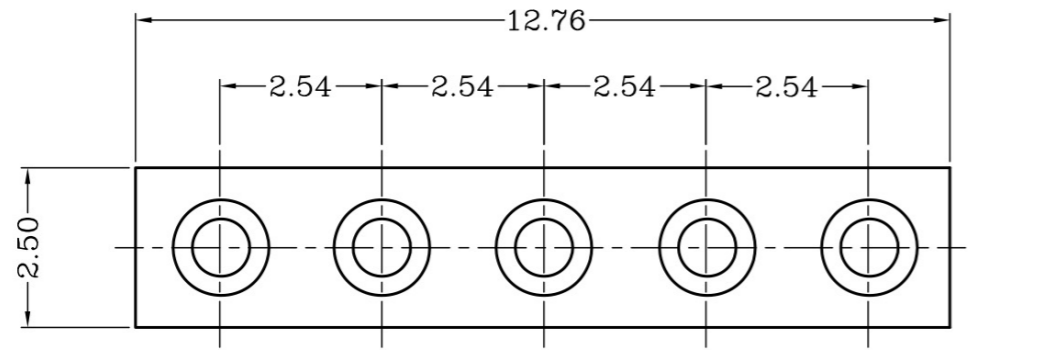


DWN No.: C-10101051167



THIS INFORMATION IS CONFIDENTIAL AND IS DISCLOSED TO YOU ON CONDITION THAT NO FURTHER DISCLOSURE IS MADE BY YOU TO OTHER THAN PEXON PERSONNEL WITHOUT WRITTEN AUTHORIZATION FROM PEXON LTD.

DIST  
---  
DIST  
---



Recommended PCB Layout

Item	Part name	Q'ty/Ea'	Material	Finish
1	HSG	1	High temp.Plastic UL94 V-0 Color Black	_____
2	Body	5	Leaded Brass	Gold plating over Nickel plating
3	Plunger	5	Leaded Brass	Gold plating over Nickel plating
4	Spring	5	Stainless steel wire	_____
5				

Table 1 Mechanical performance		
working height	4.15mm	110±35gf <2.1>
Durability	10000cycle	

Notes:

- 1 Dimensions shall be interpreted per ASME Y14.5M.
- 2 Mechanical performance(See the table 1)  
<2.1>The force is the average of forces obtained when plunger goes downwards and upwards.  
<2.2>Warning: Working height are not permitted to be less than Min working height.
- 3 Electrical performance  
Resistance: 30mOhm Max.  
Current rating: 2.0A
- 4 RoHS compliant.

10110051167

PART NUMBER

Top-Link Electronics Ltd.		Type Customer drawing	Unit mm	Weight
TOLERANCES UNLESS OTHER SPECIFIED		DWN: Cai wanlu	APVD:	<b>PEXON</b>
0. = ± -		CHK:	REL:	
0.0 = ± 0.15		Name Pogo pin connector		
0.00 = ± 0.10		Scale 1:1	Size A4	DWG No. C-10110051167
0.000 = ± -		Page 1/1		Rev. 1
Angle: ±1°				
SURF TEXTURE: REMOVE BURRS. BREAK SHARP EDGES R0.05 MAX.DO NOT SCALE PRINT.				

Rev.	NEW	2014/04/17
	Revision record.	Date.



**PEXON**

E-mail: [sale@pinconnector.com](mailto:sale@pinconnector.com)

WhatsApp: +86-13361867201

[www.pinconnector.com](http://www.pinconnector.com)