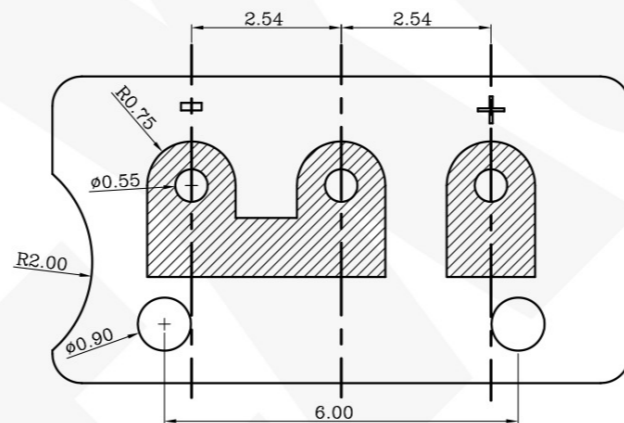
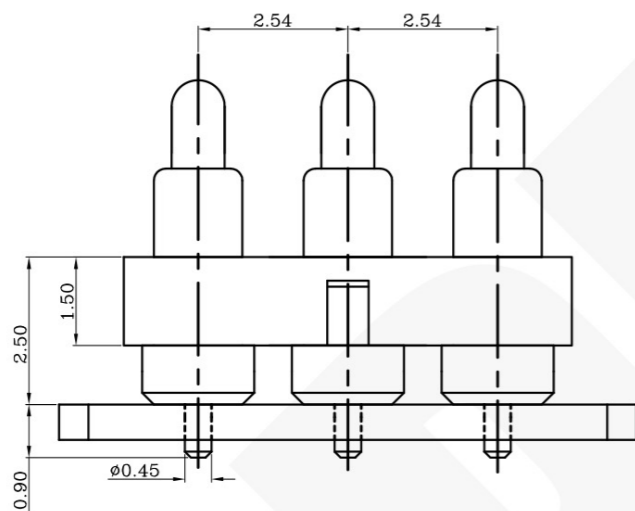
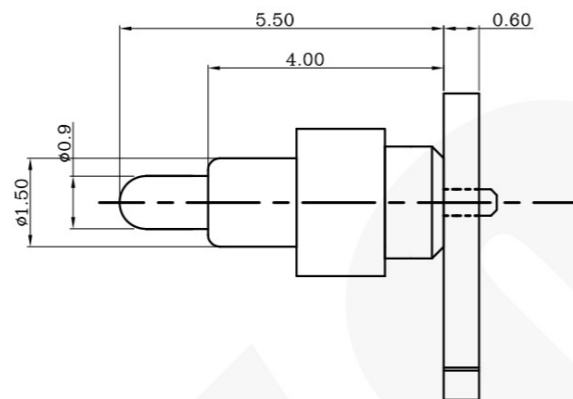
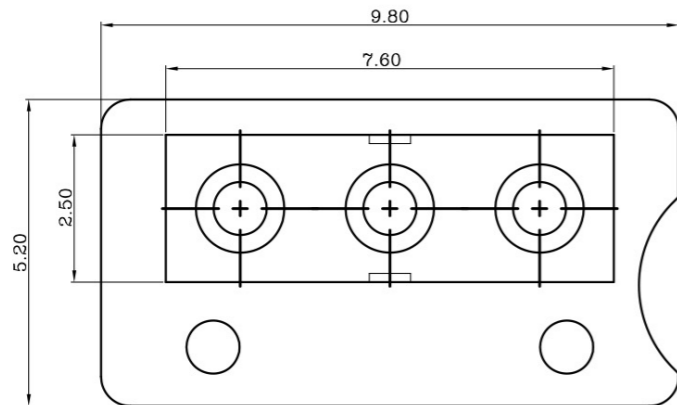


THIS INFORMATION IS CONFIDENTIAL AND IS DISCLOSED TO YOU ON CONDITION THAT NO FURTHER DISCLOSURE IS MADE BY YOU TO OTHER THAN PEXON PERSONNEL WITHOUT WRITTEN AUTHORIZATION FROM PEXON LTD.

DWG NO. C-110573



USED ON



Recommended PCB Layout

Notes:

- 1 Material(材质):  
Housing: PA 46, UL94 V-0 Color Black.  
Contact: Brass  
Spring :Stainless steel wire
- 2 Plating:  
1)Body: Min 0.1um Gold plating over min. 1.4um Nickel plating  
(Body: 镀金0.1um Min 镍底1.4um Min)  
2)Plunger: Min 0.4um Gold plating over min. 1.4um Nickel plating  
(Plunger: 镀金0.4um Min 镍底1.4um Min)
- 3 Mechanical:  
Total stroke(总行程): 1.50mm  
Durability(寿命): 10,000 cycle min.
- 4 Electrical(电性能)  
Contact resistance(接触抵抗): 30mOhm Max.  
Voltage rating(额定电压): 36V DC Max  
Current rating(额定电流): 2.0A

LOC	-
DIST	-

	PIN尾巴加长		2010/03/04
	PCB变更		2009/12/07
	NEW		2009/11/26
LTR	REVISION RECORD	APVD	DATE

DIMENSIONS IN MM  
TOLERANCES UNLESS  
OTHER SPECIFIED  
0 = ±  
0.0 = ±0.15  
0.00 = ±0.10  
0.000 = ±  
ANGLE: ±1°  
SURF TEXTURE: 3.2/  
REMOVE BURRS, BREAK  
SHARP EDGES R0.05 MAX  
DO NOT SCALE PRINT

MATL	1	HT TR	-	FIN	-
DWN	Qin	APVD		<b>PEXON</b>	
CHK		REL			
NAME POGO PIN CONNECTOR 3 POSITIONS PGC-1.5-5.5-R-3P-2.54PH+PCB					
SCALE	1:1	A4	DWG NO. C-110573	SHEET 1 OF 1	REV B

110573-3

PART NUMBER

4

3

2

1

D

C

B

A



**PEXON**

E-mail: [sale@pinconnector.com](mailto:sale@pinconnector.com)

WhatsApp: +86-13361867201

[www.pinconnector.com](http://www.pinconnector.com)