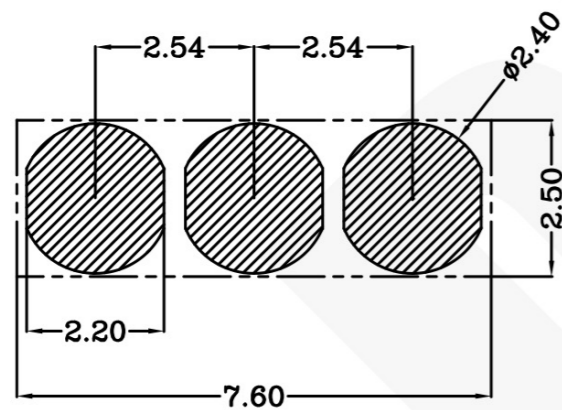
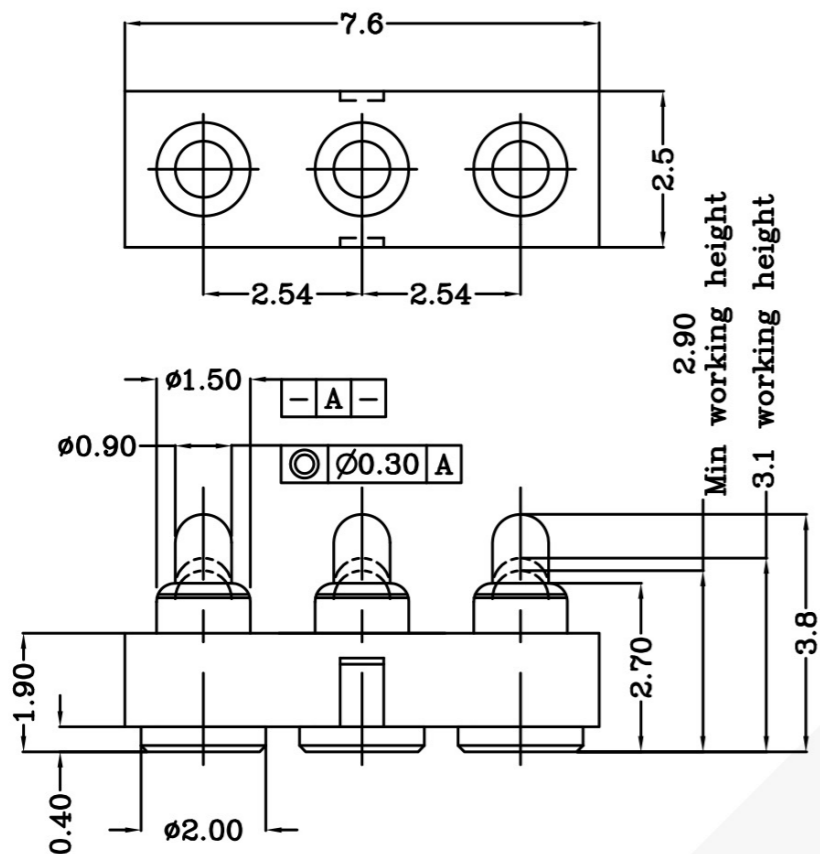




Item	Part name	Q'ty/Ea'	Material	Finish
1	HSG	1	High temp.Plastic UL94 V-0 Color Black	_____
2	Body	3	Leaded Brass	Au 0.1um plating Ni 1.4um
3	Plunger	3	Leaded Brass	Au 0.4um plating Ni 1.4um
4	Spring	3	Stainless steel wire	_____
5	CAP	1	High temp.Plastic UL94 V-0 Color Black	_____



Recommended PCB Layout

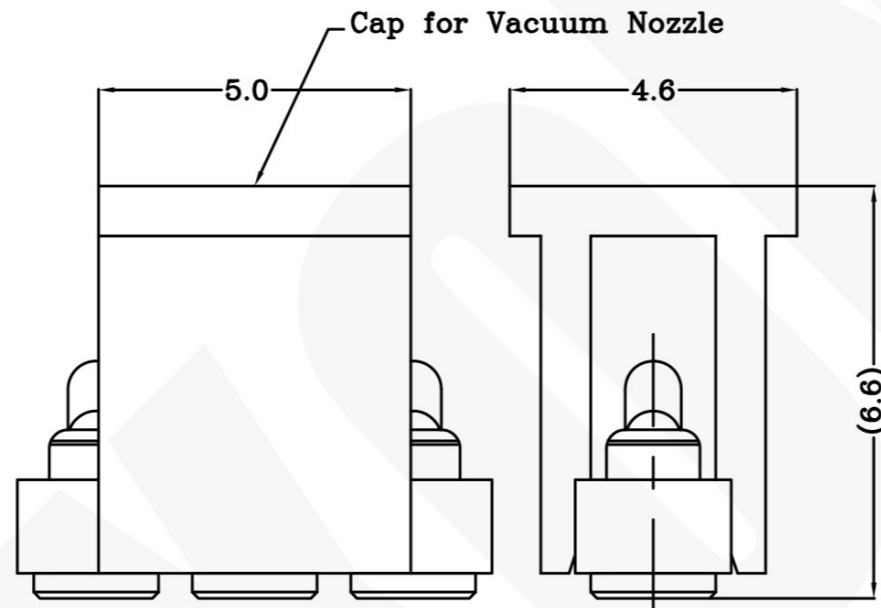


Table 1 Mechanical performance		
working height	3.10mm	80±30gf <2.1>
Durability	10000cycle	

Notes:

- Dimensions shall be interpreted per ASME Y14.5M.
- Mechanical performance(See the table 1)
<2.1>The force is the average of forces obtained when plunger goes downwards and upwards.
<2.2>Warning: Working height are not permitted to be less than Min working height.
- Electrical performance
Resistance: 30mOhm Max.
Current rating: 2.0A
- Packaging specification conforms to EIA 481
- RoHS compliant.

100145-3

PART NUMBER

DIST

DIST

Rev.	Revision record.	Date.
1.1	Update	2014/02/18
1	NEW	2007/08/08

Top-Link Electronics Ltd.		Type	Customer drawing	Unit	mm	Weight					
TOLERANCES UNLESS OTHER SPECIFIED		DWN:	Qin Zuozhong	APVD:		PEXON					
0. = ± -		CHK:		REL:							
0.0 = ± 0.15		Name				Pogo pin connector					
0.00 = ± 0.10		Scale	1:1	Size	A4	DWG No.	C-100145	Page	1/1	Rev.	1.1
0.000 = ± -											
Angle: ±1°											
SURF TEXTURE: REMOVE BURRS. BREAK SHARP EDGES R0.05 MAX.DO NOT SCALE PRINT.											



PEXON

E-mail: sale@pinconnector.com

WhatsApp: +86-13361867201

www.pinconnector.com