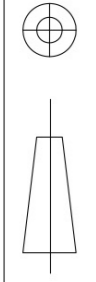
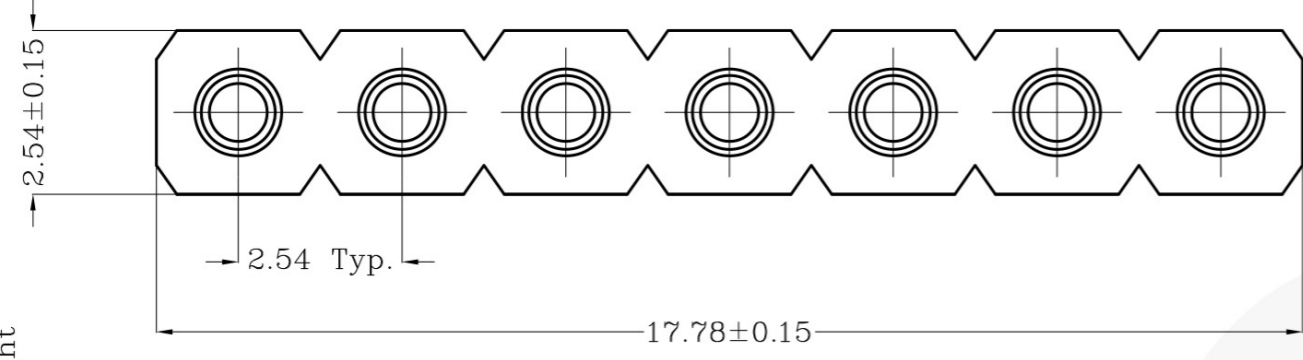


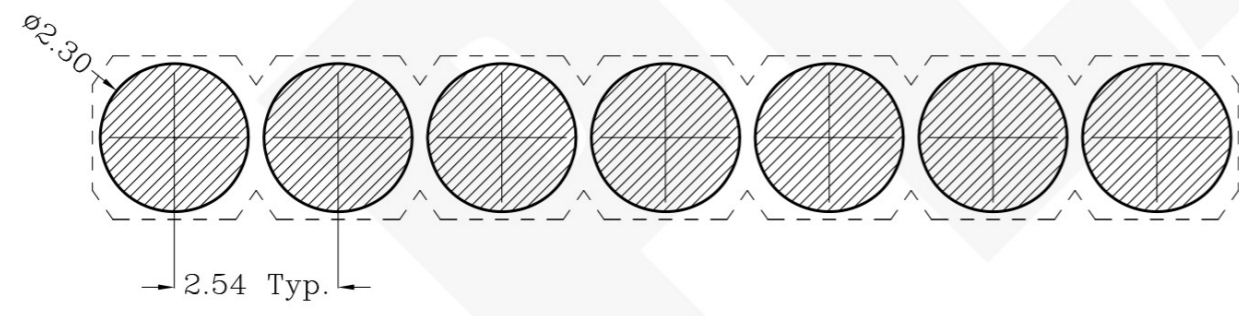
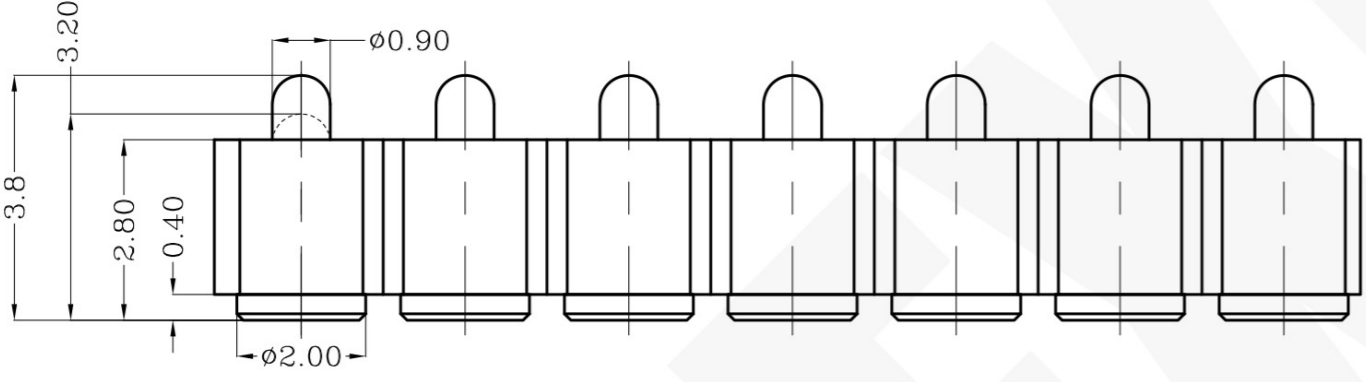
DWN No.: C-110806



THIS INFORMATION IS CONFIDENTIAL AND IS DISCLOSED TO YOU ON CONDITION THAT NO FURTHER DISCLOSURE IS MADE BY YOU TO OTHER THAN PEXON PERSONNEL WITHOUT WRITTEN AUTHORIZATION FROM PEXON LTD.



Working height



Recommended PCB Layout

Item	Part name	Q'ty/Ea'	Material	Finish
1	HSG	1	High temp.Plastic UL94 V-0 Color Black	_____
2	Body	7	Leaded Brass	Au plating over Ni
3	Plunger	7	Leaded Brass	Au plating over Ni
4	Spring	7	Stainless steel wire	_____
5				

Table 1 Mechanical performance		
Working height	3.20mm	60gf min <2.1>
Durability	10000cycle	

Notes:

- 1 Demensions shall be interpreted per ASME Y14.5M.
- 2 Mechanical performance(See the table 1)
<2.1>The force is the average of forces obtained when plunger goes downwards and upwards.
- 3 Electrical performance
Resistance: 30mOhm Max.Current rating: 2.0A
- 4 RoHS compliant.

110806-7
PART NUMBER

Top-Link Electronics Ltd.		Type	Customer drawing	Unit	mm	Weight	
TOLERANCES UNLESS OTHER SPECIFIED		DWN:	Qin Zuozhong	APVD:		PEXON	
0. = ± -		CHK:		REL:			
0.0 = ± 0.15		Name		Customer drawing			
0.00 = ± 0.10		Scale	1:1	Size	A4	DWG No.	C-110806
0.000 = ± -				Page	1/1	Rev.	1
Angle: ±1°							
SURF TEXTURE: REMOVE BURRS. BREAK SHARP EDGES R0.05 MAX.DO NOT SCALE PRINT.							

Rev.	Revision record.	Date.
	NEW	2012/04/17
3		

DIST

DIST



PEXON

E-mail: sale@pinconnector.com

WhatsApp: +86-13361867201

www.pinconnector.com