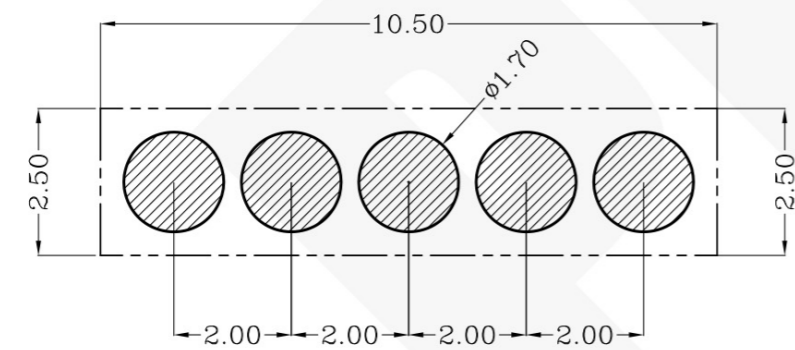
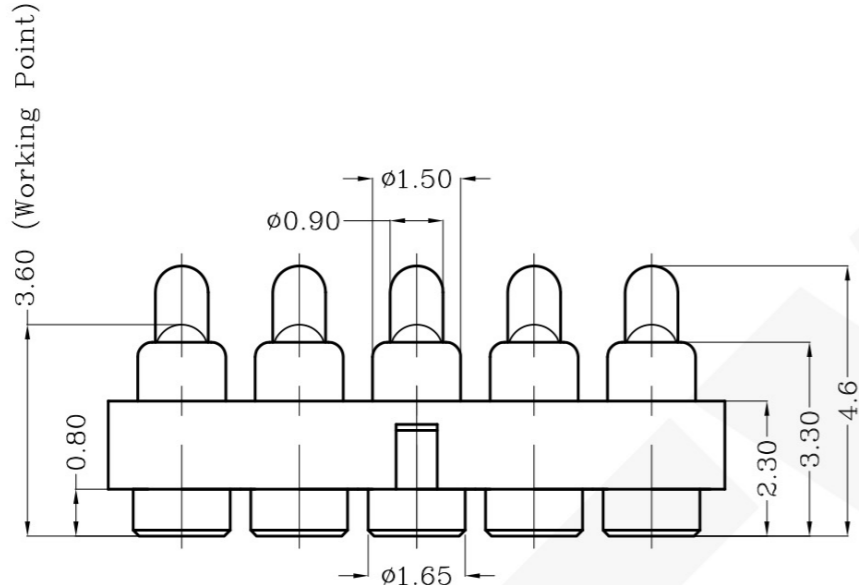
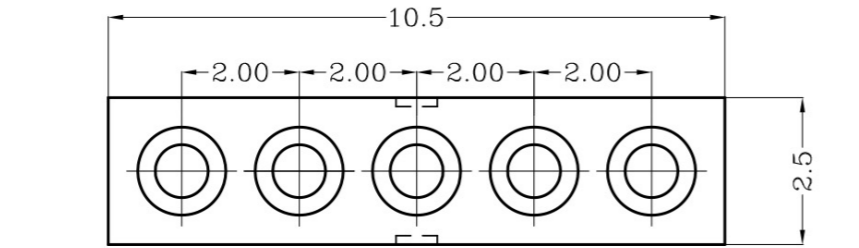


THIS INFORMATION IS CONFIDENTIAL AND IS DISCLOSED TO YOU ON CONDITION THAT NO FURTHER DISCLOSURE IS MADE BY YOU TO OTHER THAN PEXON PERSONNEL WITHOUT WRITTEN AUTHORIZATION FROM PEXON LTD.

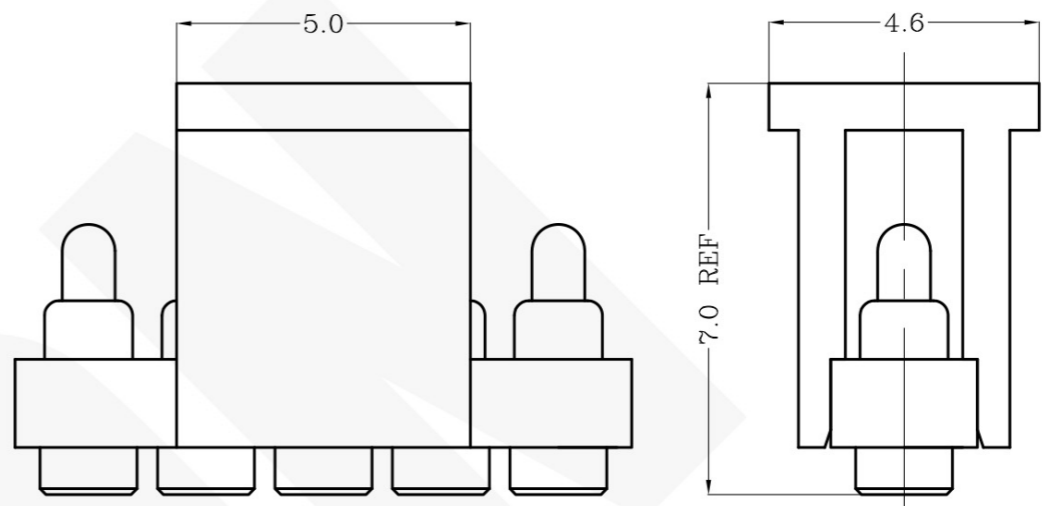
DWG NO.
C-100281



USED ON
-



Recommended PCB Layout



- Notes:
- Material(材质):
Housing: PA46, UL94 V-0 Color Black.
Contact: Brass
Spring :Stainless steel wire
 - Plating:
1)Body: Min 0.1um Gold plating over min. 1.4um Nickel plating
(Body: 镀金0.1um Min 镍底1.4um Min)
2)Plunger: Min 0.4um Gold plating over min. 1.4um Nickel plating
(Plunger: 镀金0.4um Min 镍底1.4um Min)
 - Mechanical:
Force: 100^{+60}_{-20} gf per pin at 1.0mm stroke
(力:下压1.0mm的力: 100^{+60}_{-20} gf)
Total stroke(总行程): 1.20mm
Durability(寿命): 10,000 cycle min.
 - Electrical(电性能)
Contact resistance(接触抵抗): 50mOhm Max.
Voltage rating(额定电压): 36V DC Max
Current rating(额定电流): 2.0A

100281-5
PART NUMBER

DIMENSIONS IN MM TOLERANCES UNLESS OTHER SPECIFIED		MATL	HT TR	FIN
0	= ±-	1	-	-
0.0	= ±0.15	DWN	APVD	Pexon
0.00	= ±0.10	Benny	Lansing	
0.000	= ±	CHK	REL	
ANGLE:	±1°	Andy		
SURF TEXTURE: 3.2/ REMOVE BURRS. BREAK SHARP EDGES R0.05 MAX DO NOT SCALE PRINT		NAME POGO PIN CONNECTOR 5 POSITIONS PGC-1.5-4.6-R-5P-2.0PH		
SCALE	A4	DWG NO.	SHEET	REV
1:1		c-100281	1 OF 1	A

LTR	REVISION RECORD	APVD	DATE
			2008/01/14

LDC
-
DIST
-

4

3

2

1

D

C

B

A



PEXON

E-mail: sale@pinconnector.com

WhatsApp: +86-13361867201

www.pinconnector.com