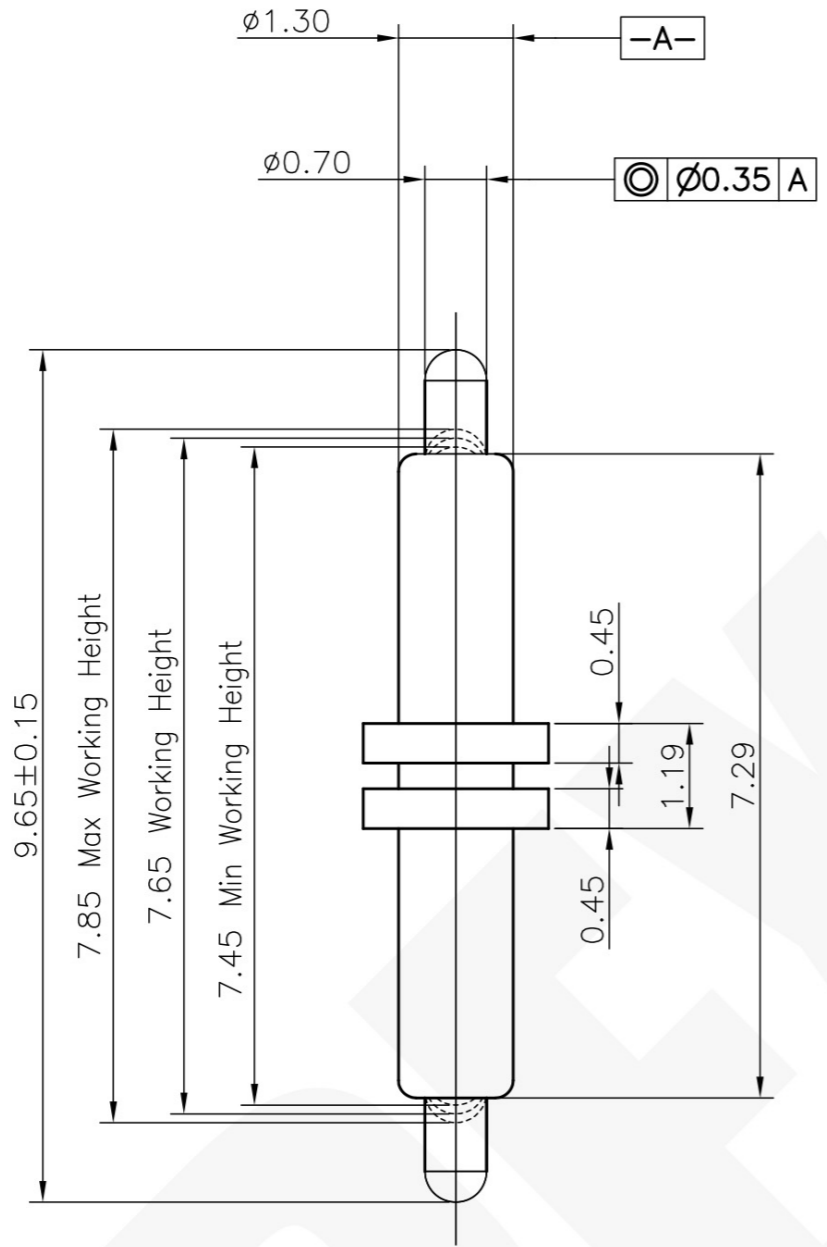


THIS INFORMATION IS CONFIDENTIAL AND IS DISCLOSED TO YOU ON CONDITION THAT NO FURTHER DISCLOSURE IS MADE BY YOU TO OTHER THAN PEXON PERSONNEL WITHOUT WRITTEN AUTHORIZATION FROM PEXON LTD.



- Notes:
- Dimensions shall be interpreted per ASME Y14.5M.
  - Mechanical performance(See the table 1)
    - <2.1>The force is the average of forces obtained when plunger goes downwards and upwards.
    - <2.2>Warning:Working height are not permitted to be less than Min working height.
  - Electrical performance
    - <3.1>Current rating: 0.5A
    - <3.2>Voltage rating: 36VAC/DC
    - <3.3>Dynamic Resistance:30mOhm Max. (between max and min working height)
  - Environmental performance
    - <4.1>RoHS compliant.
    - <4.2>Salt Spray:48h Min
    - <4.3>Operating Temperature range: -40°C~+85°C
    - <4.4>Withstanding Higt Temperature: 260°C/10Sec
  - Packaging: Bag

Working Height	7.65mm	70±20gf
Durability	10000 Cycles Min.	

Item	Part Name	Q'TY	Material	Finish
3	Body	1	Leaded Brass	Au plating 0.1um min Ni plating 1.4um min
2	Plunger	2	Leaded Brass	Au plating 0.75um min Ni plating 1.4um min
1	Spring	2	Stainless steel wire	-----

Top-Link Electronics Ltd.  
 TOLERANCES UNLESS OTHER SPECIFIED  
 0. = ± -  
 0.0 = ± 0.15  
 0.00 = ± 0.10  
 0.000 = ± -  
 Angle: ±1°  
 SURF TEXTURE:  
 REMOVE BURRS.  
 BREAK SHARP EDGES  
 R0.05 MAX.DO NOT SCALE PRINT.

Item	Revision record	Date
1	New Release	2016.09.30

Type	Customer drawing	Unit	mm	<b>PEXON</b>
DWN:	Eric	APVD:	Lansing	
CHK:	Kent	REL:		
NAME Pogo PIN				
Scale	Size	Part NO.	Page	Rev:
1:1	A4	20101011593	1/1	1

D  
C  
B  
A



**PEXON**

E-mail: [sale@pinconnector.com](mailto:sale@pinconnector.com)

WhatsApp: +86-13361867201

[www.pinconnector.com](http://www.pinconnector.com)