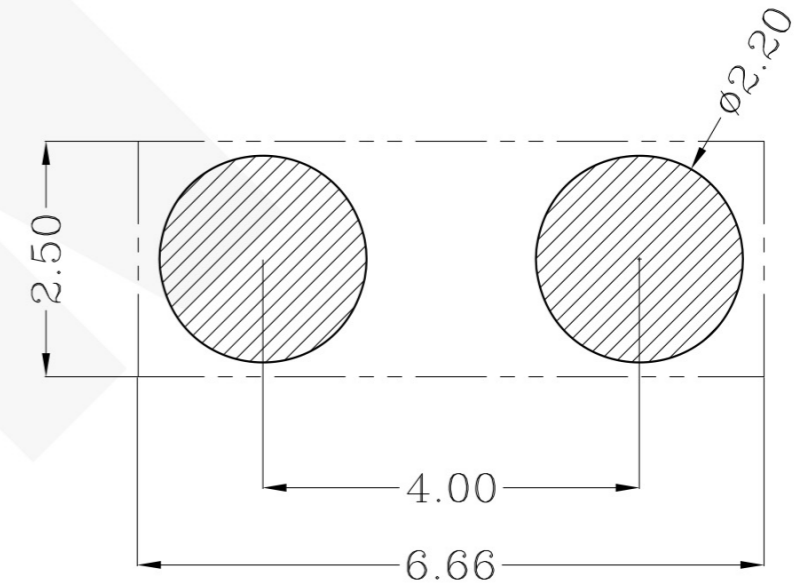
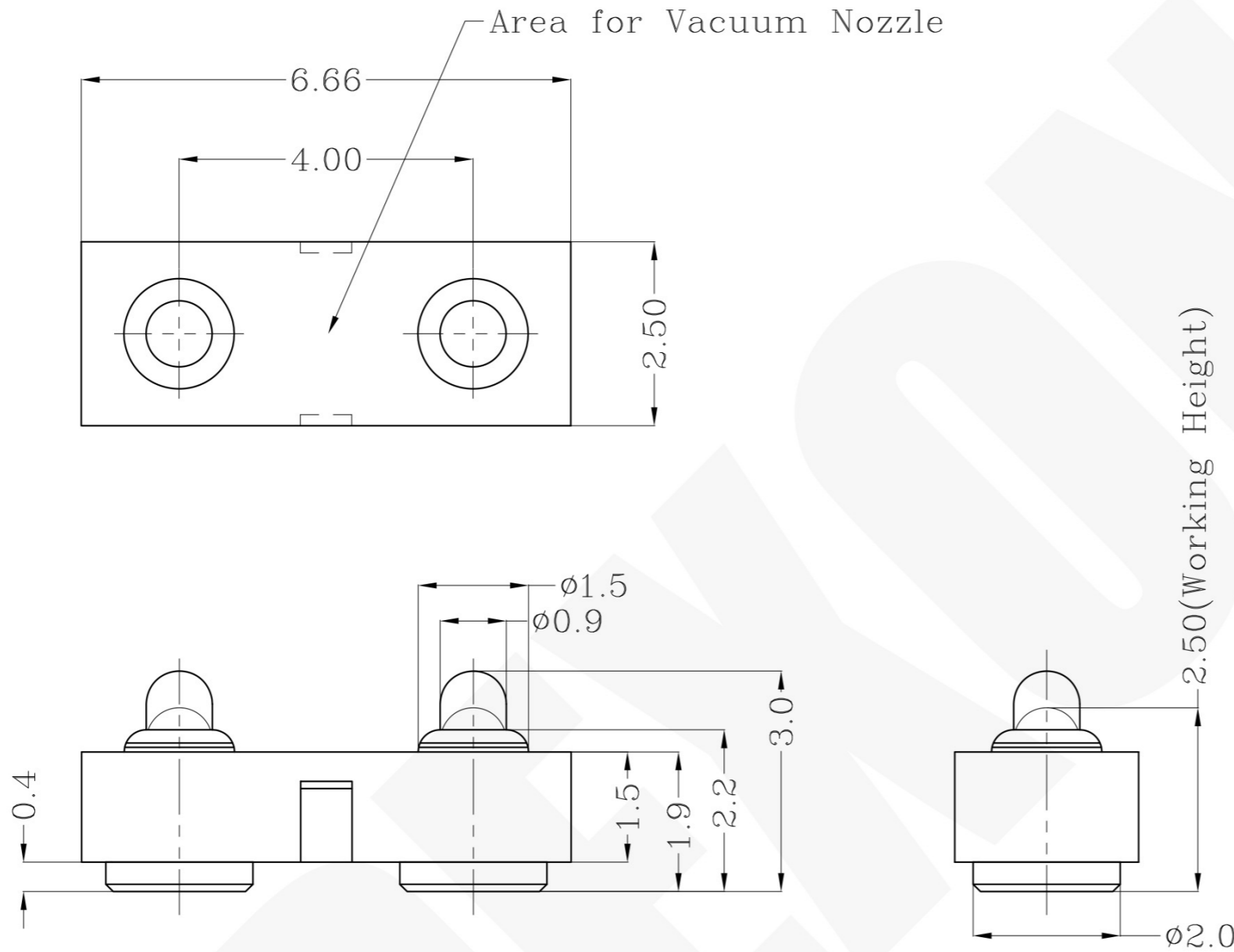


THIS INFORMATION IS CONFIDENTIAL AND IS DISCLOSED TO YOU ON CONDITION THAT NO FURTHER DISCLOSURE IS MADE BY YOU TO OTHER THAN PEXON PERSONNEL WITHOUT WRITTEN AUTHORIZATION FROM PEXON LTD.

DWG NO. C-100517



USED ON



Recommended PCB Layout

Notes:

- Material, Housing: PA 4.6 (30% Glass Filled)  
Color Black.  
Contact: Brass
- Mechanical demands:  
Plating Plunger: Min 0.4um Au over 1.4um Ni  
Plating Body: Min 0.1um Au over 1.4um Ni.

100517-2  
PART NUMBER

DIMENSIONS IN MM  
TOLERANCES UNLESS  
OTHER SPECIFIED  
0 = ±  
0.0 = ±0.15  
0.00 = ±0.10  
0.000 = ±  
ANGLE: ±1°  
SURF TEXTURE: 3.2/  
REMOVE BURRS. BREAK  
SHARP EDGES R0.05 MAX  
DO NOT SCALE PRINT

MATL	HT TR	FIN		
DWN Qin	APVD Lansing			
CHK Andy	REL			
NAME POGO CONNECTOR 2 POSITIONS PGC-1.5-3.0-R-2P-4.0PH				
SCALE 1:1	A4	DWG NO. C-100517	SHEET 1 OF 1	REV 1

LDC	-
DIST	-

LTR	NEW	APVD	DATE
	REVISION RECORD		09/05/07

4

3

2

1

D

C

B

A



**PEXON**

E-mail: [sale@pinconnector.com](mailto:sale@pinconnector.com)

WhatsApp: +86-13361867201

[www.pinconnector.com](http://www.pinconnector.com)