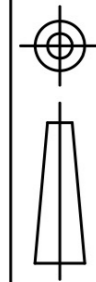
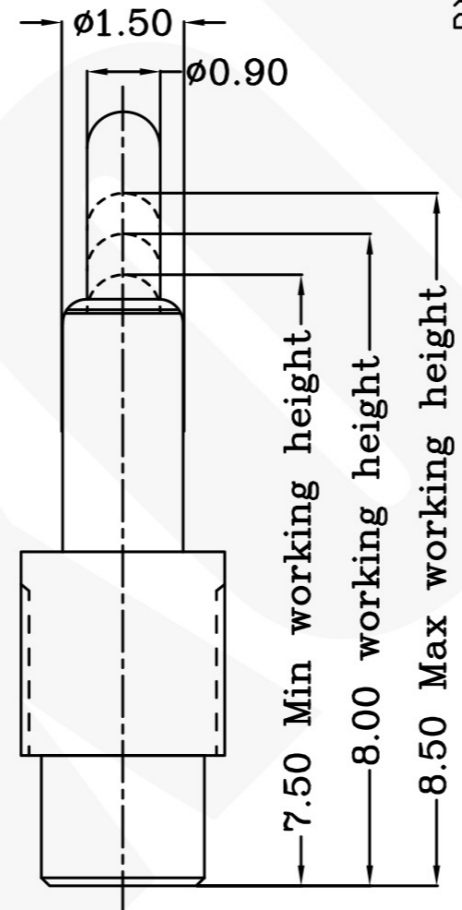
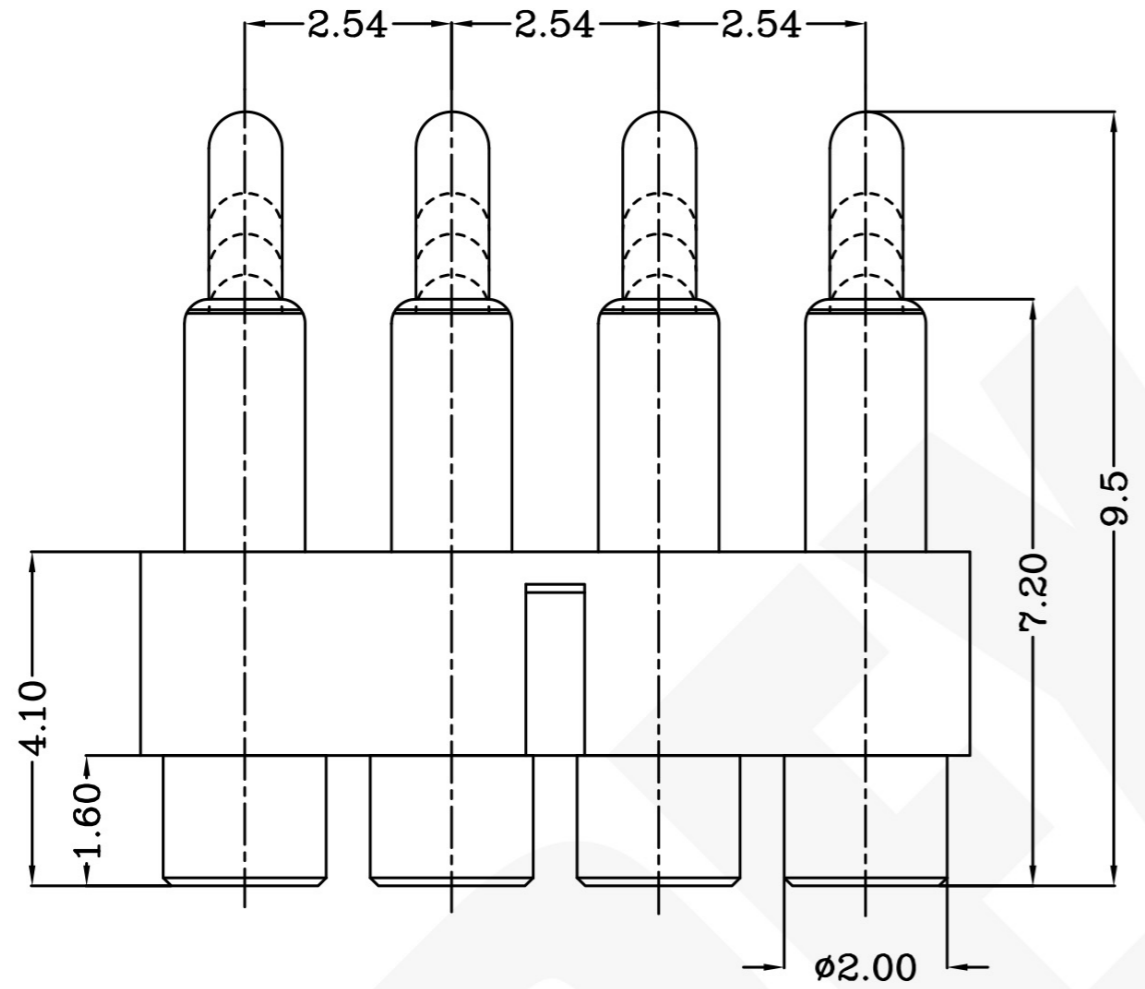
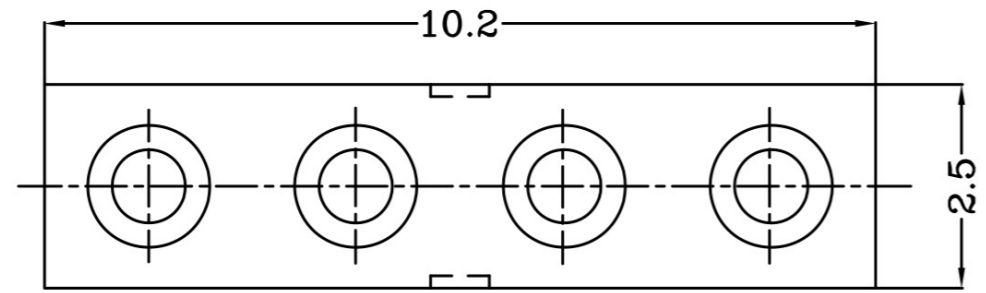


THIS INFORMATION IS CONFIDENTIAL AND IS DISCLOSED TO YOU ON CONDITION THAT NO FURTHER DISCLOSURE IS MADE BY YOU TO OTHER THAN PEXON PERSONNEL WITHOUT WRITTEN AUTHORIZATION FROM PEXON LTD.

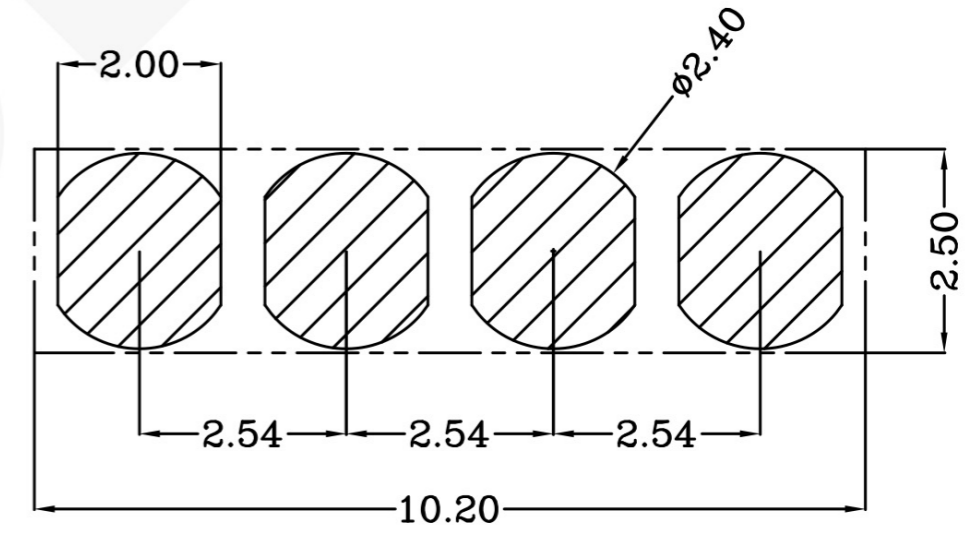
DWG NO. C-110518



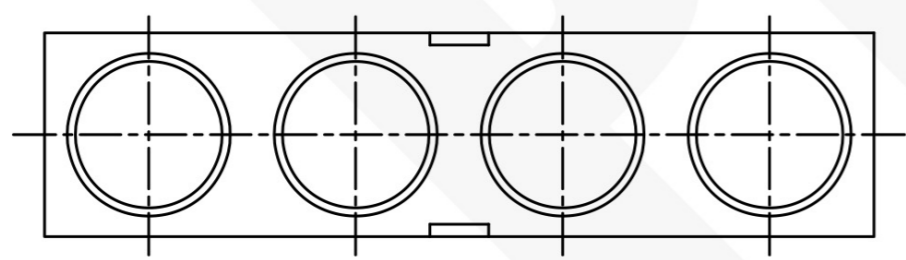
USED ON -



Notes:
 1 Material, Housing: PA 4.6 (30% Glass Filled)
 Color Black.
 Contact: Brass
 2 Mechanical demands:
 Plating Plunger: 0.4Um Au over 1.4um Ni
 Plating Body: 0.1Um Au over 1.4um Ni.



Recommended PCB Layout



110518-4
 PART NUMBER

DIMENSIONS IN MM
 TOLERANCES UNLESS
 OTHER SPECIFIED
 0 = ±
 0.0 = ±0.15
 0.00 = ± 0.10
 0.000 = ±
 ANGLE: ±1°
 SURF TEXTURE: 3.2/
 REMOVE BURRS, BREAK
 SHARP EDGES R0.05 MAX
 DO NOT SCALE PRINT

MATL	△ 1	HT TR	-	FIN	- ✓
DWN	Qin	APVD	Lansing	Pexon	
CHK	Andy	REL			
NAME	PGO CONNECTOR 4 POSITIONS PGC-1.5-9.5-R-4P-2.54PH				
SCALE	1:1	A4	DWG NO.	C-110518	SHEET 1 OF 1
					REV 1

LTR	NEW	APVD	DATE
	REVISION RECORD		2009/02/10

LDC -
 DIST -

4

3

2

1

D
C
B
A



PEXON

E-mail: sale@pinconnector.com

WhatsApp: +86-13361867201

www.pinconnector.com