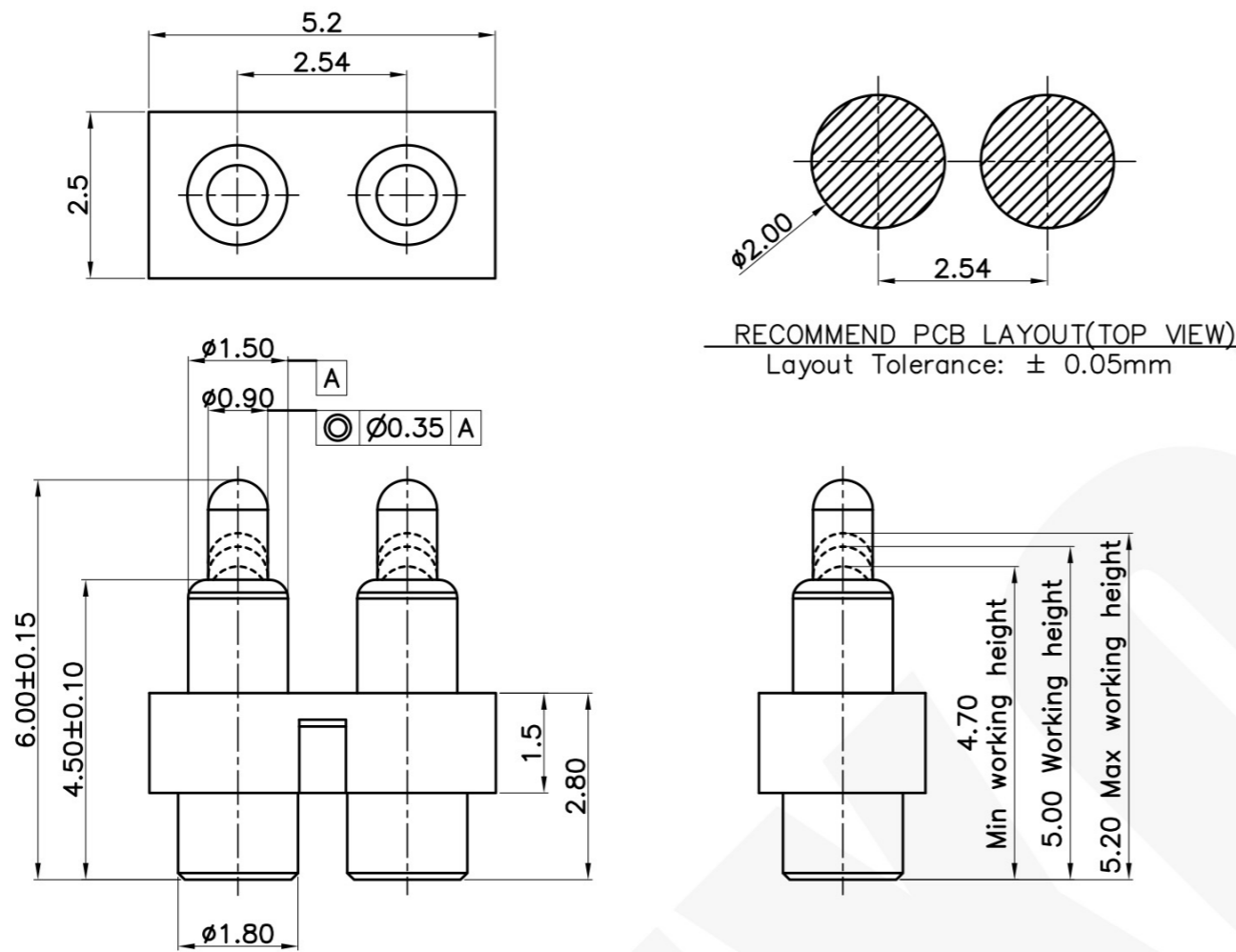
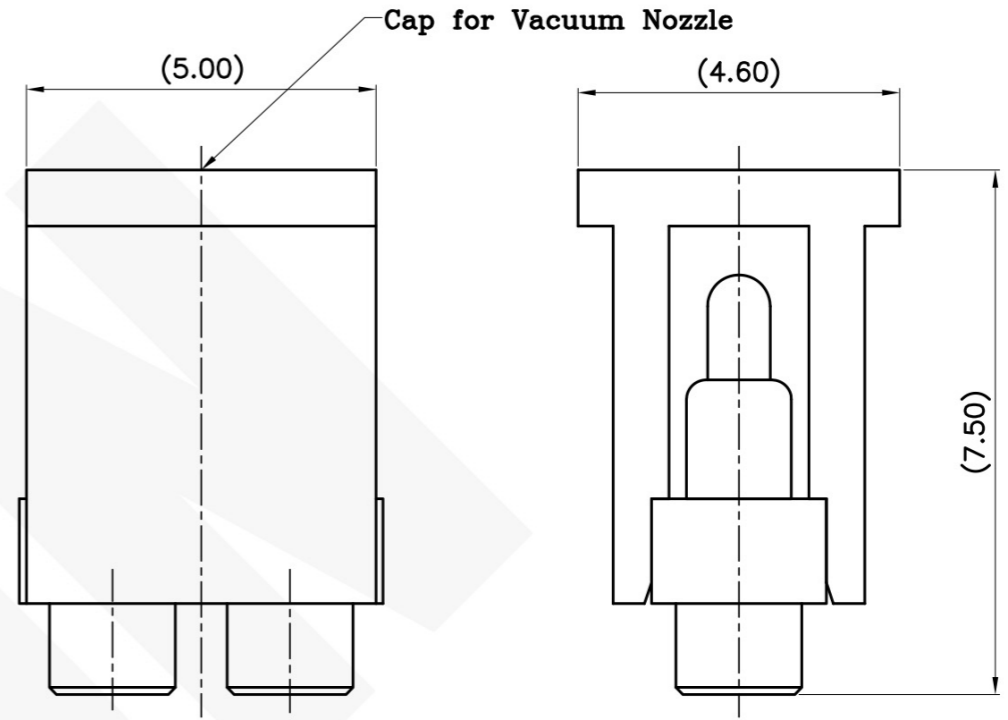


THIS INFORMATION IS CONFIDENTIAL AND IS DISCLOSED TO YOU ON CONDITION THAT NO FURTHER DISCLOSURE IS MADE BY YOU TO OTHER THAN PEXON PERSONNEL WITHOUT WRITTEN AUTHORIZATION FROM PEXON LTD.



RECOMMEND PCB LAYOUT(TOP VIEW)  
Layout Tolerance: ± 0.05mm



Working Height	5.0mm	80gf Min
Durability	10000 Cycles Min.	

**Notes:**

- 1 Dimensions shall be interpreted per ASME Y14.5M
- 2 Mechanical performance(See the table 1)
  - <2.1>The force is the average of forces obtained when plunger goes downwards and upwards
  - <2.2>Warning:Working height are not permitted to be less than Min working height
- 3 Electrical performance
  - <3.1>Current rating: 2.0A
  - <3.2>Voltage rating: 36VAC/DC
  - <3.3>Dynamic Resistance:30mOhm Max (between max and min working height)
  - <3.4>Insulation Resistance:100MOhm minimum
- 4 Environmental performance
  - <4.1> RoHS compliant
  - <4.2>Operating Temperature range:-40°C~+85°C
  - <4.3>Withstanding High Temperature:260°C/10Sec
- 5 Packaging:Carrier tape

Item	Part Name	Q'TY	Material	Finish
5	CAP	1pcs	High temp.Plastic; UL94 V-0 Color Black	-----
4	Body	2pcs	Leaded Brass	Au 0.1um min plated over 1.4um min Ni
3	Plunger	2pcs	Leaded Brass	Au 0.4um min plated over 1.4um min Ni
2	Spring	2pcs	Stainless steel wire	-----
1	Housing	1pcs	High temp.Plastic; UL94 V-0 Color Black	-----

Top-Link Electronics Ltd.  
TOLERANCES UNLESS OTHER SPECIFIED  
0. = ± -  
0.0 = ± 0.15  
0.00 = ± 0.10  
0.000 = ± -  
Angle: ±1°  
SURF TEXTURE: REMOVE BURRS. BREAK SHARP EDGES R0.05 MAX.DO NOT SCALE PRINT.

A	update	2019.01.18
1	New Release	08'/04/07
Item	Revision record	Date

Type	Customer drawing		Unit	mm
DRW:	Caiwanlu	APRD:		
CHK:		REL:		
Name	Pogo Pin Connector			
Scale	1:1	Size	A4	Part NO. 100312-2
				Page 1/1 Rev: A

**PEXON**

4

3

2

1



**PEXON**

E-mail: [sale@pinconnector.com](mailto:sale@pinconnector.com)

WhatsApp: +86-13361867201

[www.pinconnector.com](http://www.pinconnector.com)