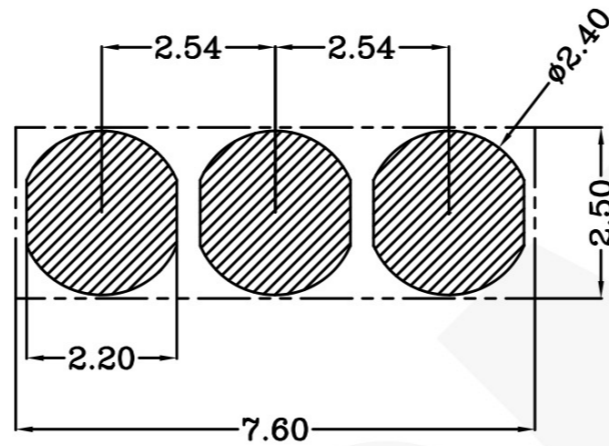
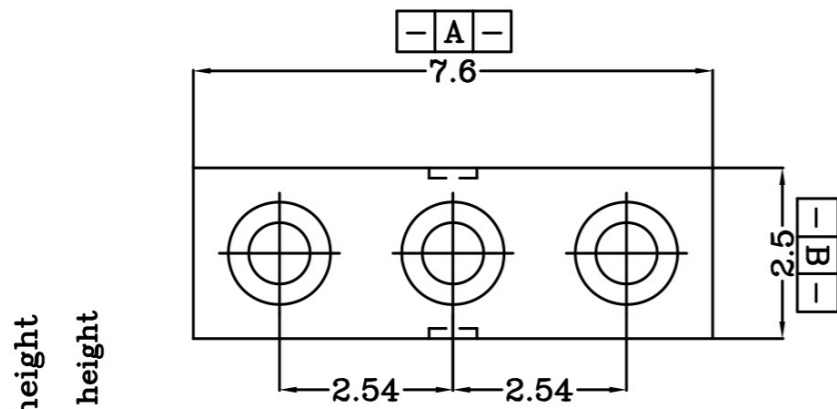


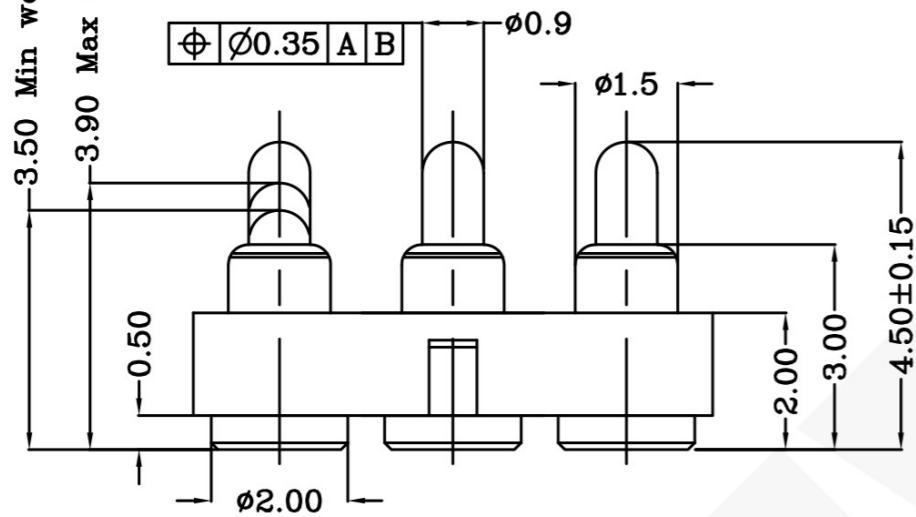
DWN No.: C-100085



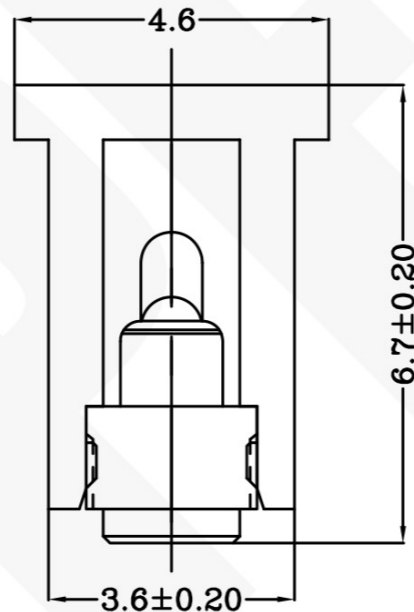
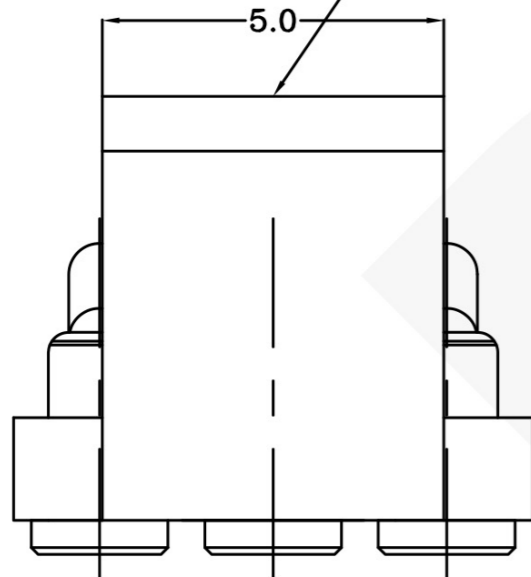
THIS INFORMATION IS CONFIDENTIAL AND IS DISCLOSED TO YOU ON CONDITION THAT NO FURTHER DISCLOSURE IS MADE BY YOU TO OTHER THAN PEXON PERSONNEL WITHOUT WRITTEN AUTHORIZATION FROM PEXON LTD.



Recommended PCB Layout



Cap for Vacuum Nozzle



Item	Part name	Q'ty/Ea'	Material	Finish
1	HSG	1	High temp.Plastic UL94 V-0 Color Black	_____
2	Body	3	Leaded Brass	Gold plating over Nickel plating
3	Plunger	3	Leaded Brass	Gold plating over Nickel plating
4	Spring	3	Stainless steel wire	_____
5	CAP	1	High temp.Plastic UL94 V-0 Color Black	_____

Max.working height	3.90mm	80±20gf <3.1>
Min.working height	3.50mm	115±30gf
Durability	10000cycle	

Notes:

- 1 Demensions shall be interpreted per ASME Y14.5M.
- 2 Mechanical performance(See the table 1)
<3.1>The force is the average of forces obtained when plunger goes downwards and upwards.
<3.2>Warning: Working height are not permitted to be less than Min working height.
- 3 Electrical performance
Resistance: 50mOhm Max.Current rating: 2.0A
- 4 Packaging Spec.Comformance to EIA 481
- 5 RoHS complaint.

100085-3

PART NUMBER

Top-Link Electronics Ltd.		Type	Customer drawing	Unit	mm	Weight					
TOLERANCES UNLESS OTHER SPECIFIED		DWN:	APVD:	Pexon							
0. = ± -		Qin	REL:								
0.0 = ± 0.15		Name		Customer drawing PGC-1.5-4.5-R-3P-2.54PH							
0.00 = ± 0.10		Scale	1:1	Size	A4	DWG No.	C-100085	Page	1/1	Rev.	A1
0.000 = ± -											
Angle: ±1°											
SURF TEXTURE: REMOVE BURRS. BREAK SHARP EDGES R0.05 MAX.DO NOT SCALE PRINT.											

DIST

Rev.	Revision record.	Date.	2011/04/11
4			
3			
2			
1			



PEXON

E-mail: sale@pinconnector.com

WhatsApp: +86-13361867201

www.pinconnector.com