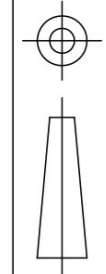


THIS INFORMATION IS CONFIDENTIAL AND IS DISCLOSED TO YOU ON CONDITION THAT NO FURTHER DISCLOSURE IS MADE BY YOU TO OTHER THAN PEXON PERSONNEL WITHOUT WRITTEN AUTHORIZATION FROM PEXON LTD.

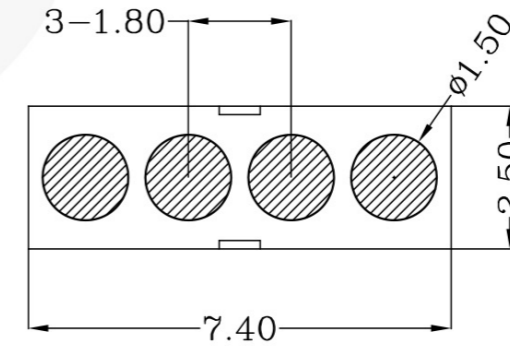
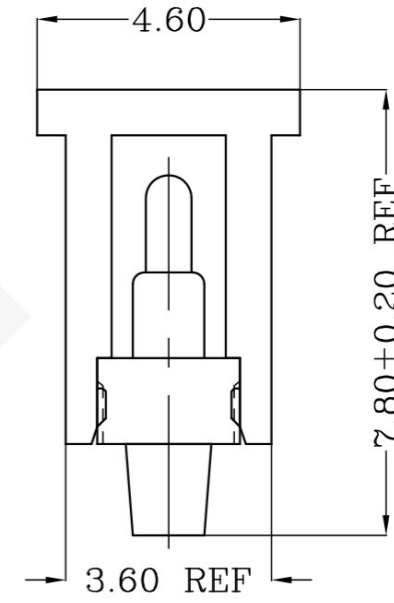
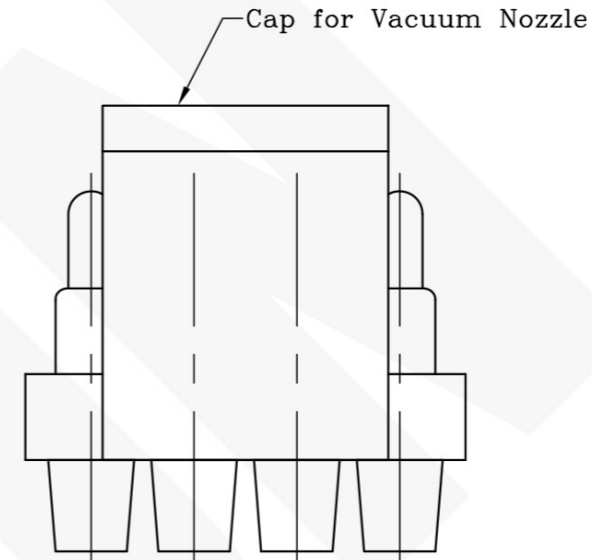
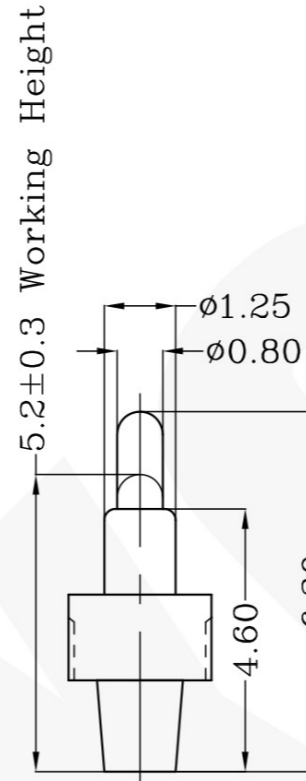
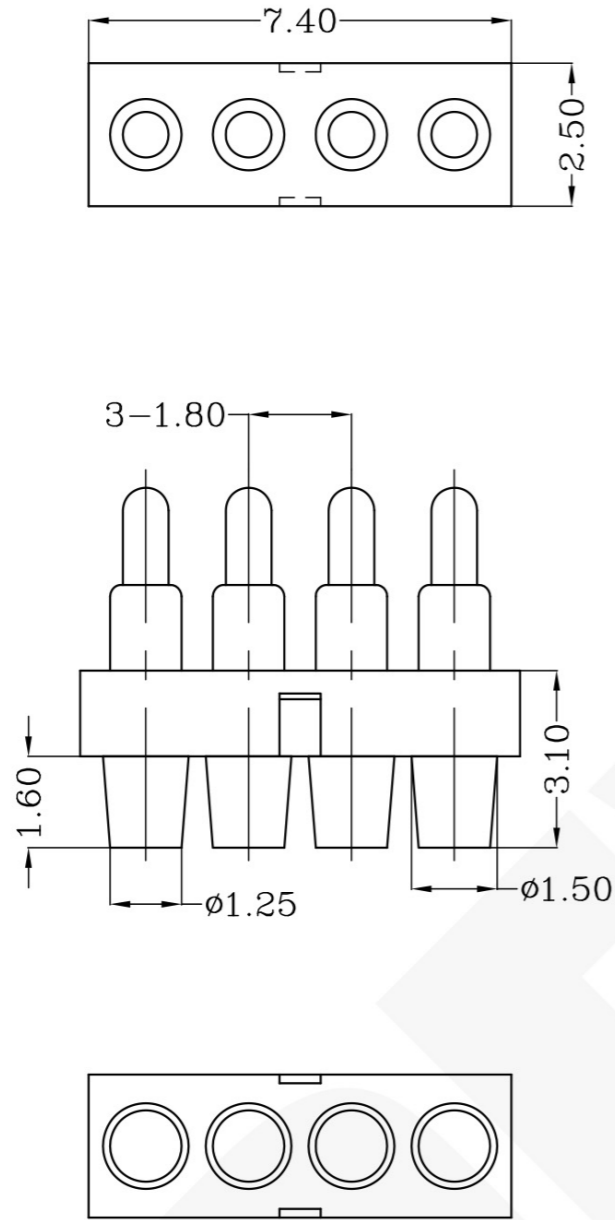


DWG NO.

C-100522

USED ON

-



Recommended PCB Layout

Notes:

1 Material, Housing: PA 4.6 (30% Glass Filled)
Color Black.

Contact: Brass

2 Mechanical demands:

Plating Plunger: Min 0.4um Au over 1.4um Ni

Plating Body: Min 0.1um Au over 1.4um Ni.

100522-4

PART NUMBER

DIMENSIONS IN MM TOLERANCES UNLESS OTHER SPECIFIED		MATL	HT TR	FIN
0	= ±-	1	-	- ✓
0.0	= ±0.10	DWN	APVD	Pexon
0.00	= ±-	CHK	REL	
0.000	= ±	NAME		
ANGLE: ±1°		POGO CONNECTOR		
SURF TEXTURE: 3.2/		4 POSITIONS 1.8PH PGC-1.25-6.3-R-4P-1.8PH		
REMOVE BURRS. BREAK SHARP EDGES R0.05 MAX DO NOT SCALE PRINT		SCALE	DWG NO.	SHEET
		1:1	A4 C-100522	1 OF 1
				REV A

LDC	-
DIST	-

	new		2009/05/31
LTR	REVISION RECORD	APVD	DATE

4

3

2

1

D

C

B

A



PEXON

E-mail: sale@pinconnector.com

WhatsApp: +86-13361867201

www.pinconnector.com