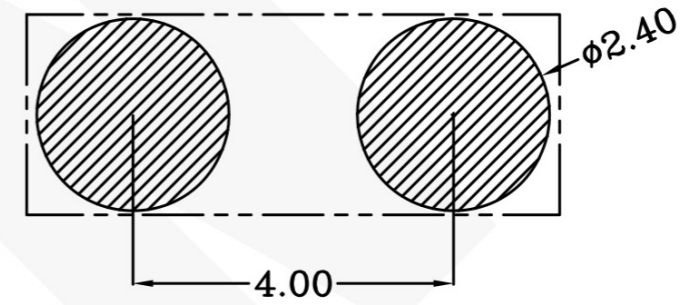
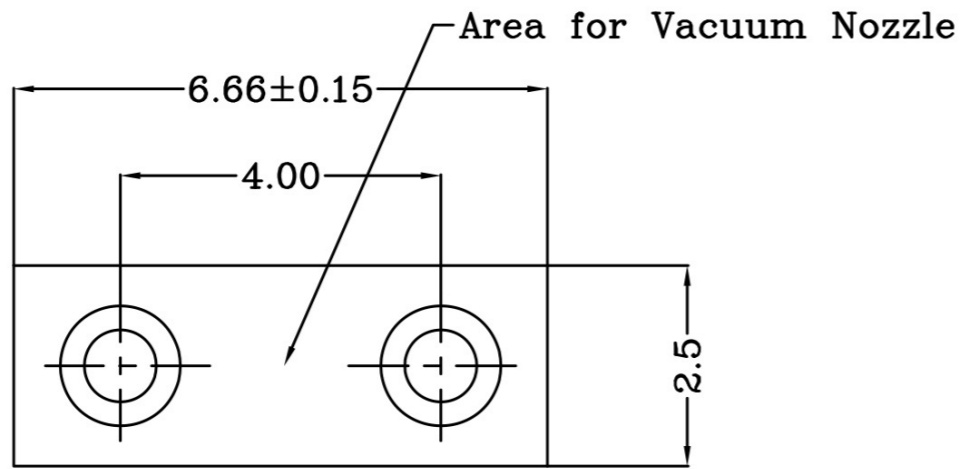


THIS INFORMATION IS CONFIDENTIAL AND IS DISCLOSED TO YOU ON CONDITION THAT NO FURTHER DISCLOSURE IS MADE BY YOU TO OTHER THAN PEXON PERSONNEL WITHOUT WRITTEN AUTHORIZATION FROM PEXON LTD.

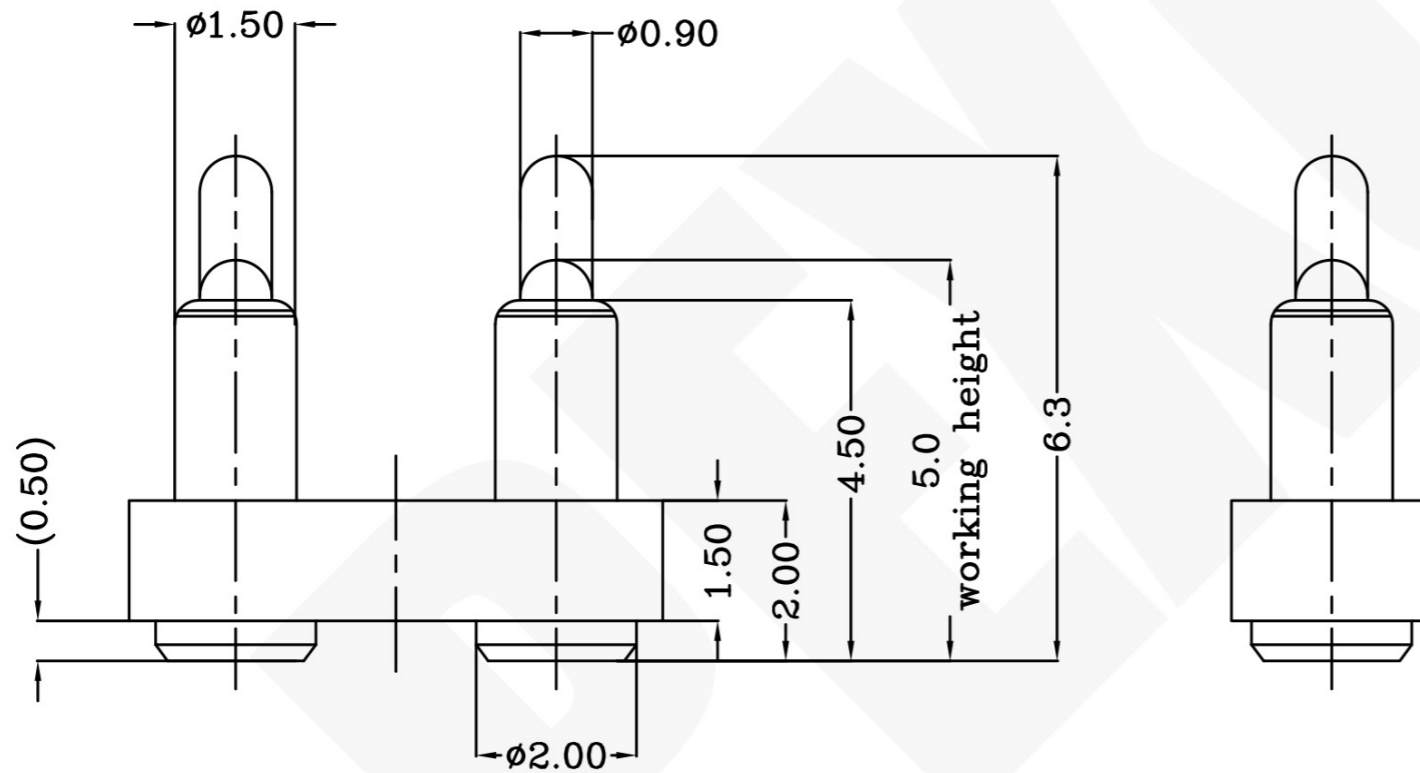
DWG NO.
C-100203



USED ON



Recommended PCB Layout



Notes:

- 1 Material, Housing: PA 4.6 (30% Glass Filled)
Color Black.
Contact: Brass
- 2 Mechanical demands:
Plating Plunger: Min. 0.4Um Au over 1.25um Ni
Plating Body: Min. 0.1Um Au over 1.25um Ni.
- 3 Mechanical
 - 1) Force: 90gf min per pin at 1.3mm stroke
 - 2) Total stroke : 1.60mm
 - 3) Durability: 10,000 cycle min.

100203-2

PART NUMBER

DIMENSIONS IN MM
TOLERANCES UNLESS
OTHER SPECIFIED
0 = ±
0.0 = ±0.15
0.00 = ±0.10
0.000 = ±
ANGLE: ±1°

SURF TEXTURE: 3.2/
REMOVE BURRS. BREAK
SHARP EDGES R0.05 MAX
DO NOT SCALE PRINT

MATL	△	HT TR	—	FIN	— ✓
DWN	Benny	APVD	Lansing	PEXON	
CHK	Andy	REL			
NAME BATTERY POGO CONNECTOR 2 POSITIONS PGC-1.5-6.3-R-2P-4.0PH					
SCALE	1:1	A4	DWG NO.	C-100203	SHEET
			1 OF 1		REV
					B

LDC
-
DIST
-

LTR	取消倒角	APVD	DATE
			2007/12/04

4

3

2

1

D

C

B

A



PEXON

E-mail: sale@pinconnector.com

WhatsApp: +86-13361867201

www.pinconnector.com