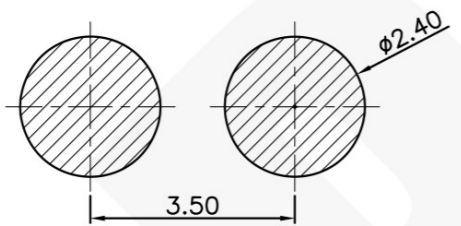
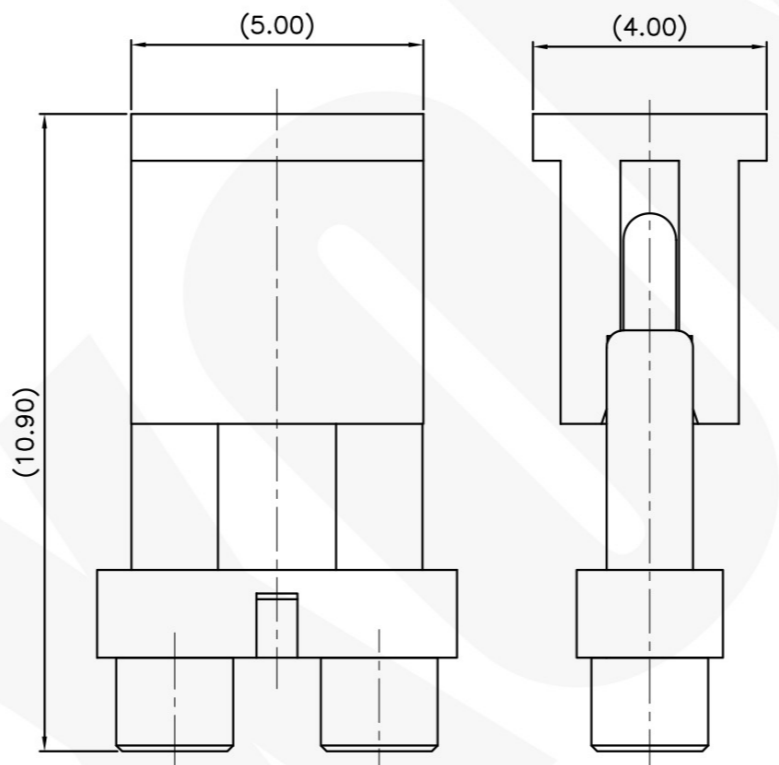
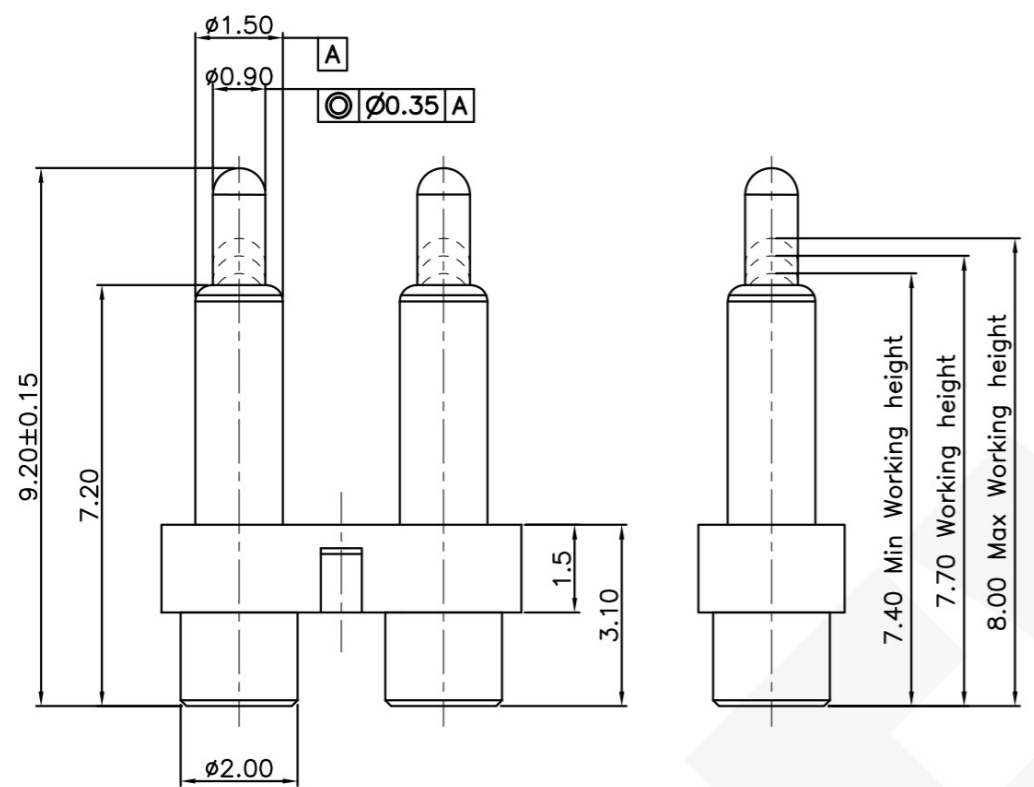
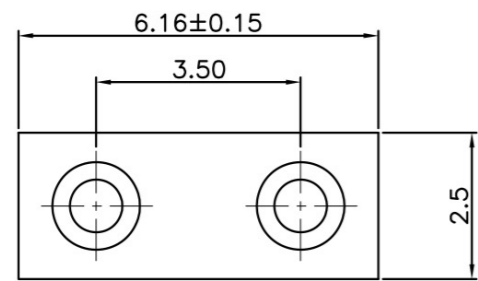


THIS INFORMATION IS CONFIDENTIAL AND IS DISCLOSED TO YOU ON CONDITION THAT NO FURTHER DISCLOSURE IS MADE BY YOU TO OTHER THAN PEXON PERSONNEL WITHOUT WRITTEN AUTHORIZATION FROM PEXON LTD.



**RECOMMEND PCB LAYOUT(TOP VIEW)**  
Layout Tolerance: ± 0.05mm

**Notes:**

- 1 Dimensions shall be interpreted per ASME Y14.5M
- 2 Mechanical performance(See the table 1)
  - <2.1>The force is the average of forces obtained when plunger goes downwards and upwards
  - <2.2>Warning:Working height are not permitted to be less than Min working height
- 3 Electrical performance
  - <3.1>Current rating: 2.0A
  - <3.2>Voltage rating: 36VAC/DC
  - <3.3>Dynamic Resistance:30mOhm Max (between max and min working height)
  - <3.4>Insulation Resistance:100MOhm minimum
- 4 Environmental performance
  - <4.1> RoHS compliant
  - <4.2>Operating Temperature range:-40°C~+85°C
  - <4.3>Withstanding High Temperature:260°C/10Sec
- 5 Packaging:Carrier tape

Working Height	7.70mm	155±35gf
Durability	10000 Cycles Min.	

Item	Part Name	Q'TY	Material	Finish
5	CAP	1pcs	High temp.Plastic; UL94 V-0 Color Black	-----
4	Body	2pcs	Leaded Brass	Au 0.1um min plated over 1.4um min Ni
3	Plunger	2pcs	Leaded Brass	Au 0.4um min plated over 1.4um min Ni
2	Spring	2pcs	Stainless steel wire	-----
1	Housing	1pcs	High temp.Plastic; UL94 V-0 Color Black	-----

Top-Link Electronics Ltd.  
TOLERANCES UNLESS OTHER SPECIFIED  
0. = ± -  
0.0 = ± 0.15  
0.00 = ± 0.10  
0.000 = ± -  
Angle: ±'  
SURF TEXTURE: REMOVE BURRS. BREAK SHARP EDGES R0.05 MAX.DO NOT SCALE PRINT.

Type	Customer drawing		Unit	mm
DRW:	Caiwanlu	APRD:		
CHK:	REL:			
Name	Pogo Pin Connector			
Scale	1:1	Size	A4	Part NO. 100167-2
Page	1/1	Rev:	B	

Item	Revision record	Date
B	Update	2018/09/17
A	New Release	2008/05/06

**PEXON**



**PEXON**

E-mail: [sale@pinconnector.com](mailto:sale@pinconnector.com)

WhatsApp: +86-13361867201

[www.pinconnector.com](http://www.pinconnector.com)