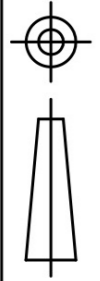
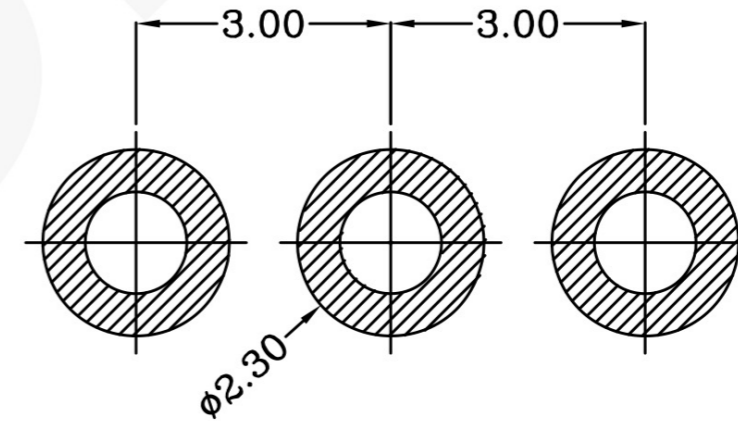
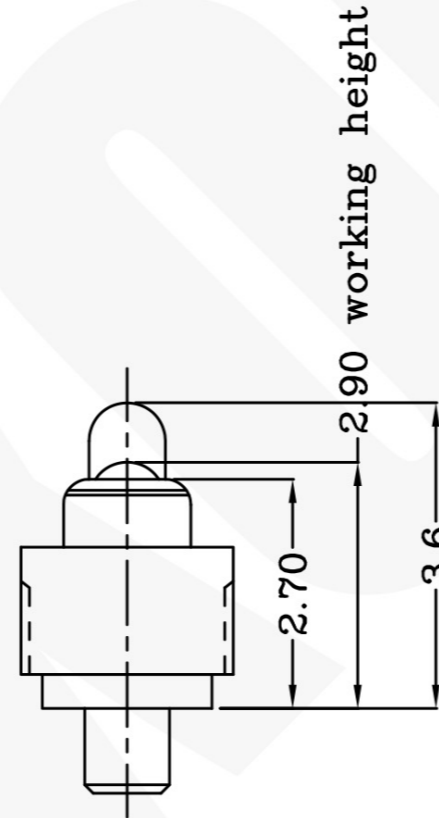
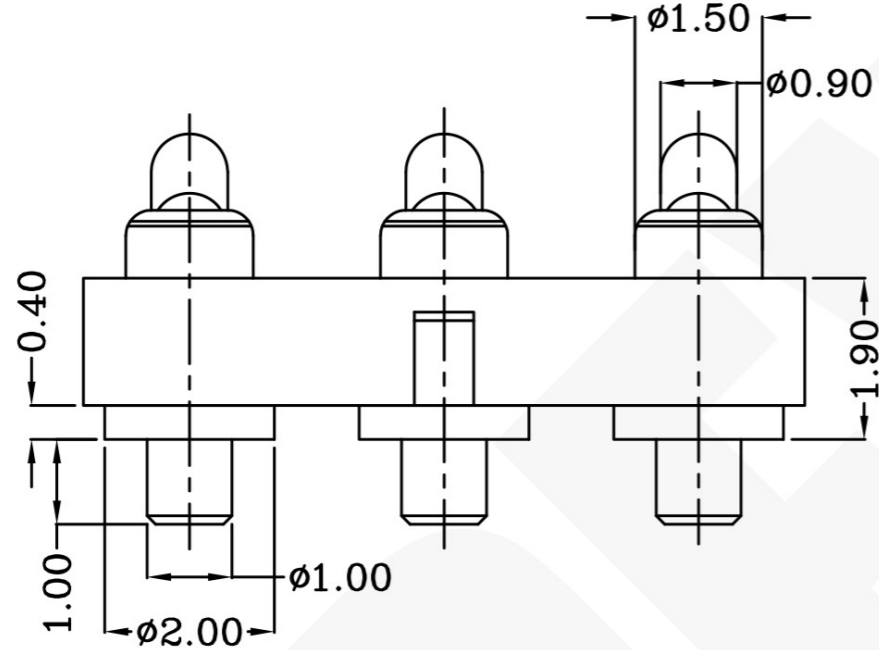
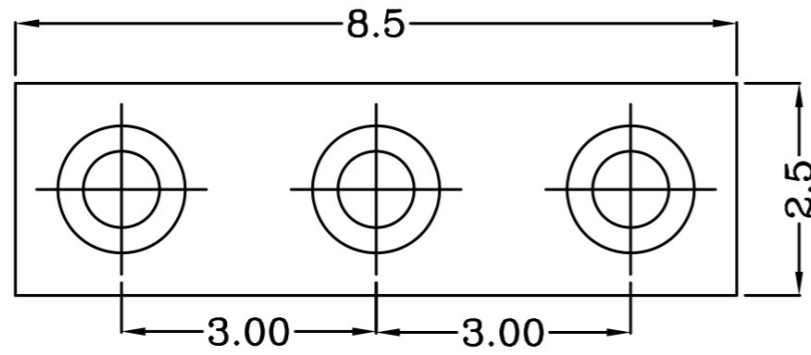


THIS INFORMATION IS CONFIDENTIAL AND IS DISCLOSED TO YOU ON CONDITION THAT NO FURTHER DISCLOSURE IS MADE BY YOU TO OTHER THAN PEXON PERSONNEL WITHOUT WRITTEN AUTHORIZATION FROM PEXON LTD.

DWG NO.
C-110561



USED ON
-



Recommended PCB Layout

Notes:

1 Material, Housing: PA 4.6 (30% Glass Filled)
Color Black.

Contact: Brass

2 Mechanical demands:

Plating Plunger: Min 0.4um Au over 1.4um Ni

Plating Body: Min 0.1um Au over 1.4um Ni.

110561-3

PART NUMBER

DIMENSIONS IN MM
TOLERANCES UNLESS
OTHER SPECIFIED
0 = ±
0.0 = ±0.15
0.00 = ±0.10
0.000 = ±
ANGLE: ±1°
SURF TEXTURE: 3.2/
REMOVE BURRS. BREAK
SHARP EDGES R0.05 MAX
DO NOT SCALE PRINT

MATL	△ 1	HT TR	-	FIN	- ✓
DWN	QIn	APVD		PEXON	
CHK		REL			
NAME	PGO 3P PGC-1.5-3.6-R-3P-3.0PH				
SCALE	1:1	A4	DWG NO. C-110561	SHEET 1 OF 1	REV A

LDC	-
DIST	-

	NEW		2009/09/16
LTR	REVISION RECORD	APVD	DATE

4

3

2

1

D

C

B

A



PEXON

E-mail: sale@pinconnector.com

WhatsApp: +86-13361867201

www.pinconnector.com