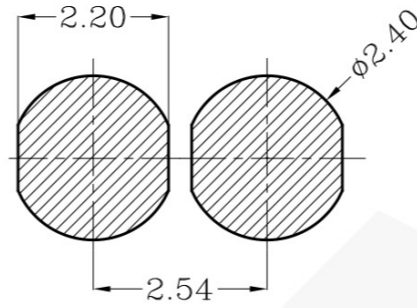
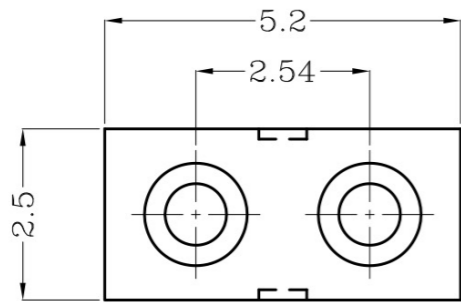
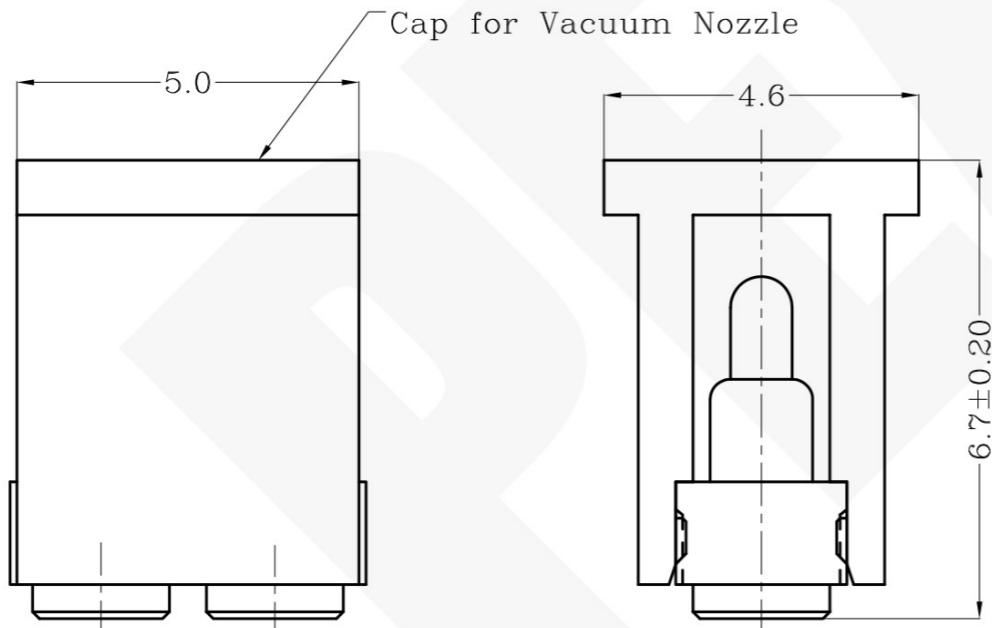
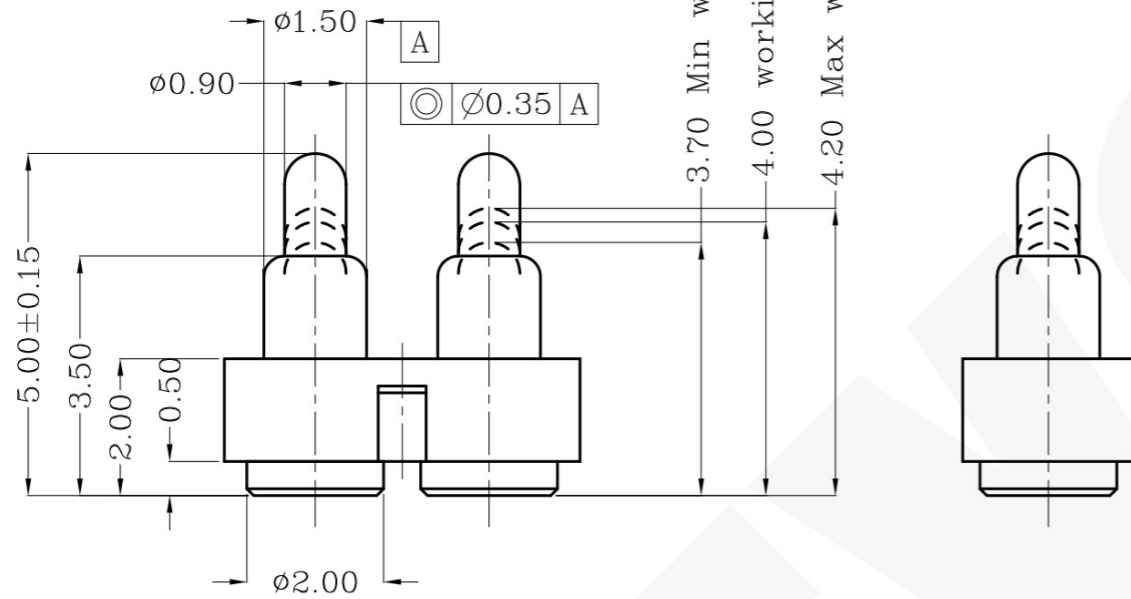


THIS INFORMATION IS CONFIDENTIAL AND IS DISCLOSED TO YOU ON CONDITION THAT NO FURTHER DISCLOSURE IS MADE BY YOU TO OTHER THAN PEXON PERSONNEL WITHOUT WRITTEN AUTHORIZATION FROM PEXON LTD.

DWN No:  
C-100100



Recommended PCB Layout



Item	Part name	Q'ty/Ea'	Material	Finish
1	HSG	1	High temp.Plastic UL94 V-0 Halogen-free Color Black	
2	Body	2	Leaded Brass	Au plating 0.1um min Ni plating 1.4um min
3	Plunger	2	Leaded Brass	Au plating 0.4um min Ni plating 1.4um min
4	Spring	2	Stainless steel wire	
5	CAP	1	High temp.Plastic UL94 V-0 Color Black	

working height	4.0mm	80gf Min <2.1>
Durability	10000cycle	

Notes:

- Dimensions shall be interpreted per ASME Y14.5M.  
尺寸标准遵从ASME Y14.5M.
- Mechanical performance(See the table 1) (机械性能见表1)  
<2.1>The force is the average of forces obtained when plunger goes downwards and upwards.  
<2.1>弹力大小为产品下压和回弹时的平均值  
<2.2>Warning: Working height are not permitted to be less than Min working height.  
<2.2>工作高度不得低于标示的最小工作高度
- Electrical performance (电气性能)  
Insulation Resistance: 1,000MOhm minimum(绝缘电阻:1000M欧以上)  
Dielectric Withstand Voltage: 500VAC/minute(抗击电压: 500VAC/minute)  
Dynamic Resistance: 30mOhm Max.(between max and min working height)  
工作范围内的动态电阻:30mOhm 最大  
Current rating: 2.5A(额定电流:2.5A)
- Packaging specification conforms to EIA 481  
包装规范符合EIA 481
- Working temperature (工作环境)  
Withstanding Higt Temperature: 270°C(耐温: 270°C)  
Operational Temperature: -40°C~+85°C(工作温度: -40°C~+85°C )
- RoHS compliant.(产品符合RoHS标准)

100100-2

PART NUMBER

Top-Link Electronics Ltd.		Type	Unit	Weight
TOLERANCES UNLESS OTHER SPECIFIED		Customer drawing	mm	
0. = ± -		DWN:	Pexon	
0.0 = ± 0.15		Qin Zuozhong		
0.00 = ± 0.10		APVD:		
0.000 = ± -		CHK:	REL:	
Angle: ±1°		Name		
SURF TEXTURE: REMOVE BURRS. BREAK SHARP EDGES R0.05 MAX.DO NOT SCALE PRINT.		Pogo pin connector		
Scale	Size	DWG No.	Page	Rev.
1:1	A4	C-100100	1/1	C2

Rev.	Revision record.	Date.
c2	Change to halogen-free ML	2014/06/19
c1	update	2014/01/06
c	update remark	2007/10/23

DIST  
---

DIST  
---



**PEXON**

E-mail: [sale@pinconnector.com](mailto:sale@pinconnector.com)

WhatsApp: +86-13361867201

[www.pinconnector.com](http://www.pinconnector.com)