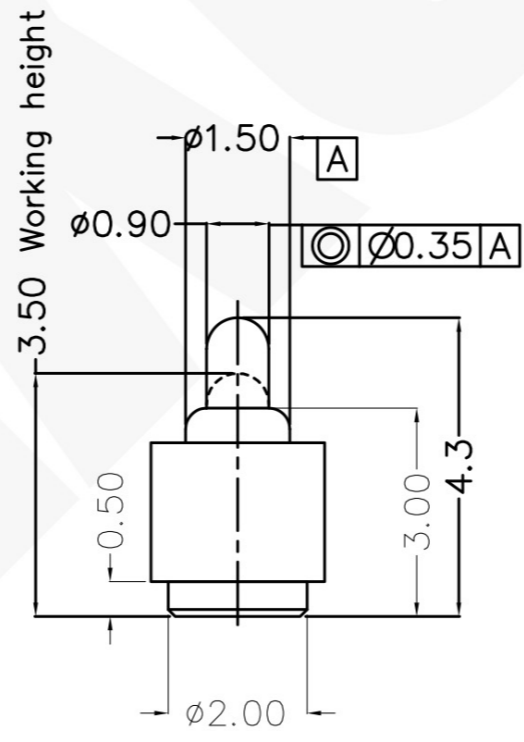
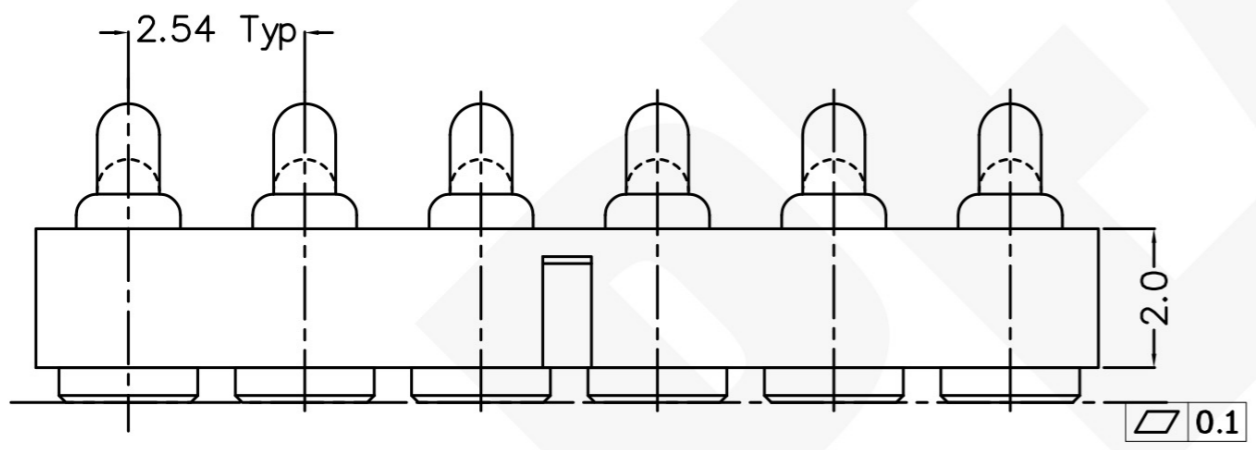
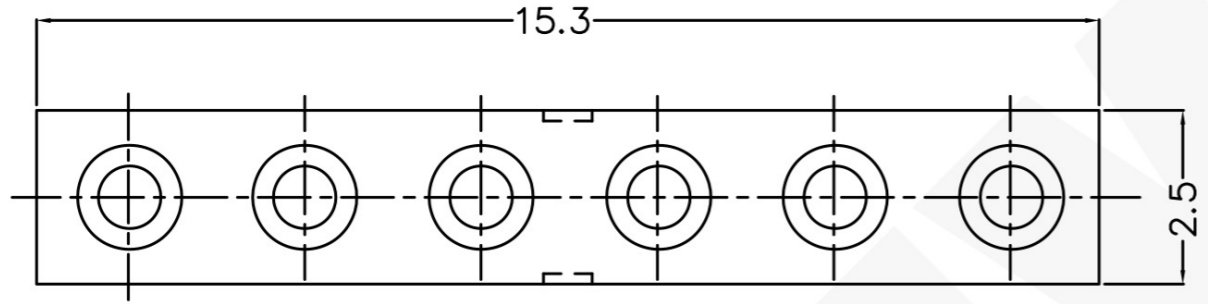
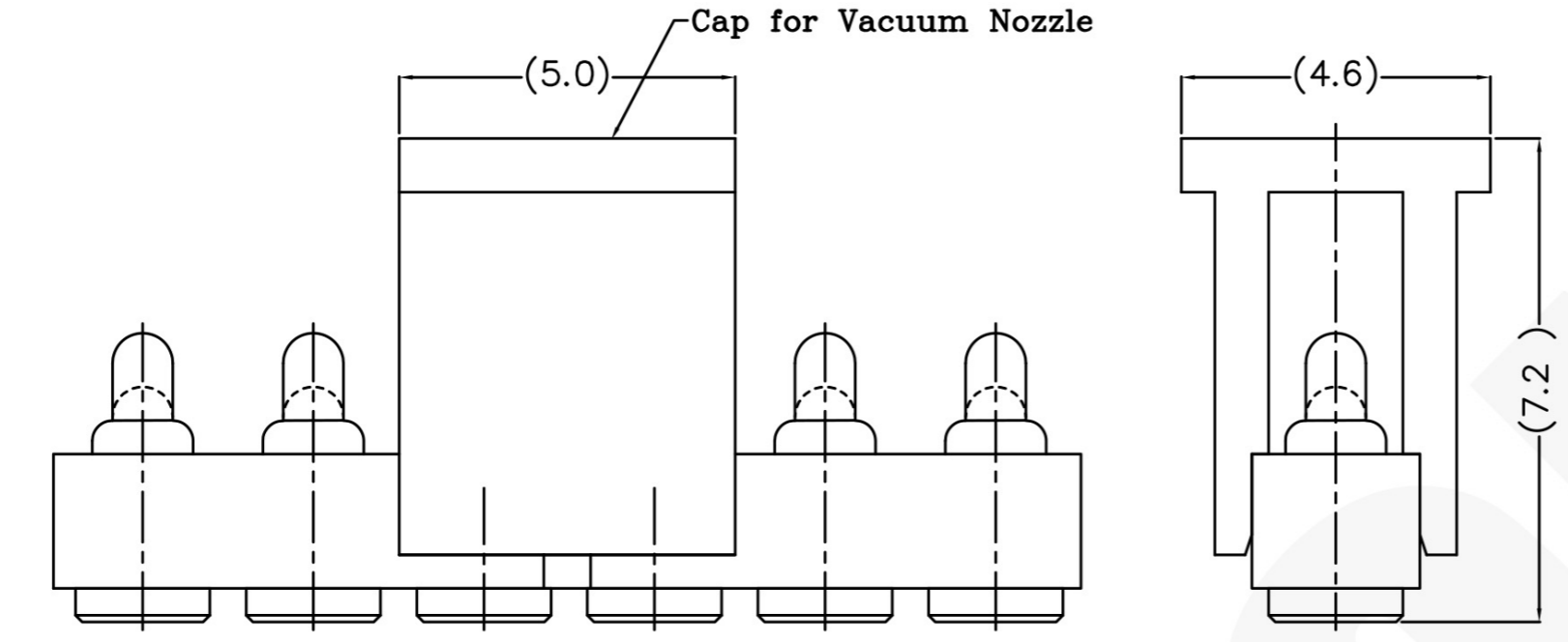
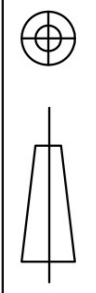
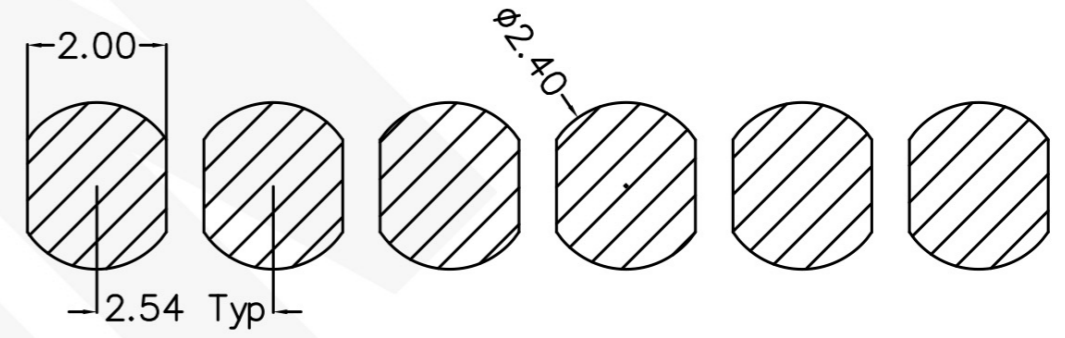


THIS INFORMATION IS CONFIDENTIAL AND IS DISCLOSED TO YOU ON CONDITION THAT NO FURTHER DISCLOSURE IS MADE BY YOU TO OTHER THAN PEXON PERSONNEL WITHOUT WRITTEN AUTHORIZATION FROM PEXON LTD.

DWN No.: C-100944



Item	Part name	Q'ty/Ea'	Material	Finish
1	HSG	1	High temp.Plastic UL94 V-0 Color Black	_____
2	Body	6	Leaded Brass	Gold plating over Nickel plating
3	Plunger	6	Leaded Brass	Gold plating over Nickel plating
4	Spring	6	Stainless steel wire	_____
5	CAP	1	High temp.Plastic UL94 V-0 Color Black	_____



Recommended PCB Layout

working height	3.50mm	120±30gf
Durability	10000cycle	

- Notes:
- 1 Demensions shall be interpreted per ASME Y14.5M.
 - 2 Mechanical performance(See the table 1)
<2.1>The force is the average of forces obtained when plunger goes downwards and upwards.
 - 3 Electrical performance
Resistance: 30mOhm Max.Current rating: 2.0A
 - 4 Packaging Spec.Comformance to EIA 481
 - 5 RoHS compliant.

100944-6
PART NUMBER

Top-Link Electronics Ltd.	Type	Customer drawing	Unit	mm	Weight
TOLERANCES UNLESS OTHER SPECIFIED	DWN:	Cai wanlu	APVD:		PEXON
0. = ± -	CHK:		REL:		
0.0 = ± 0.15	Name				Customer drawing
0.00 = ± 0.10	Scale	1:1	Size	A4	DWG No.
0.000 = ± -					C-100944
Angle: ±1°					Page
SURF TEXTURE: REMOVE BURRS. BREAK SHARP EDGES R0.05 MAX.DO NOT SCALE PRINT.					1/1
					Rev.
					1

Rev.	Revision record.	Date.
	NEW	2013/01/31
3		

DIST



PEXON

E-mail: sale@pinconnector.com

WhatsApp: +86-13361867201

www.pinconnector.com