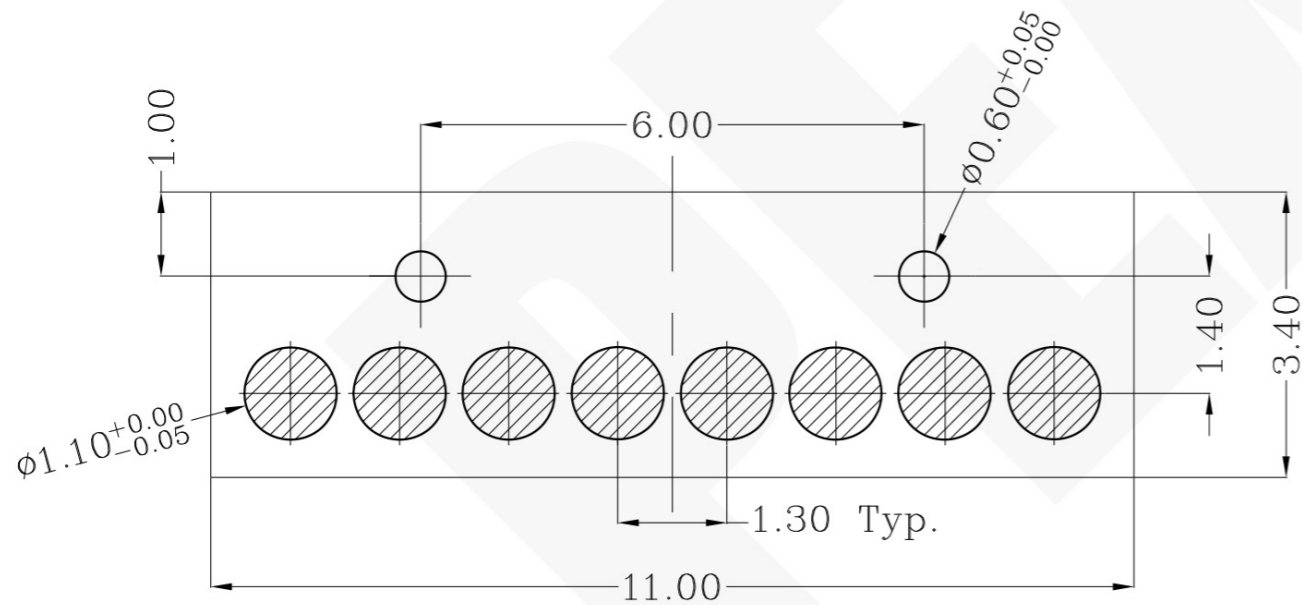
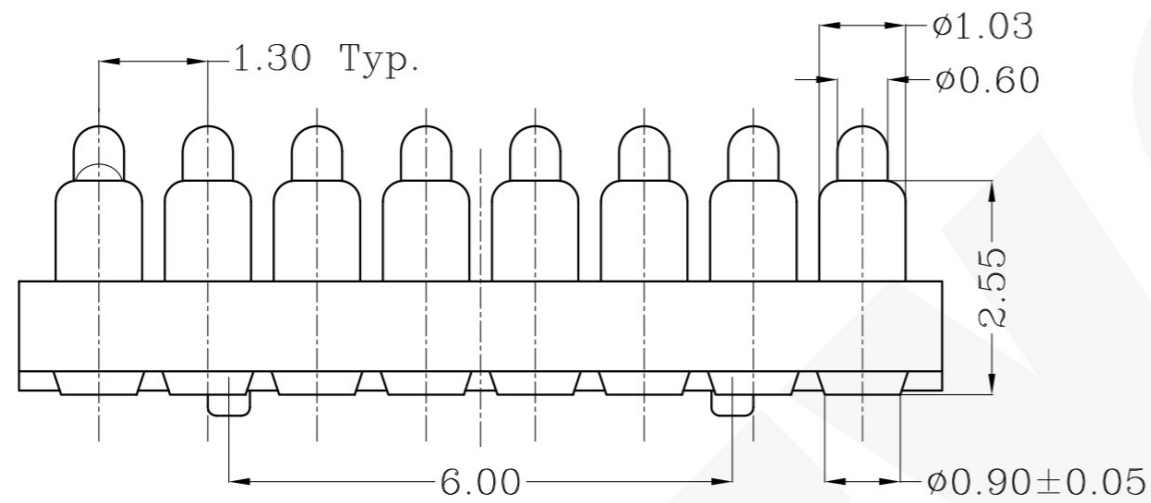
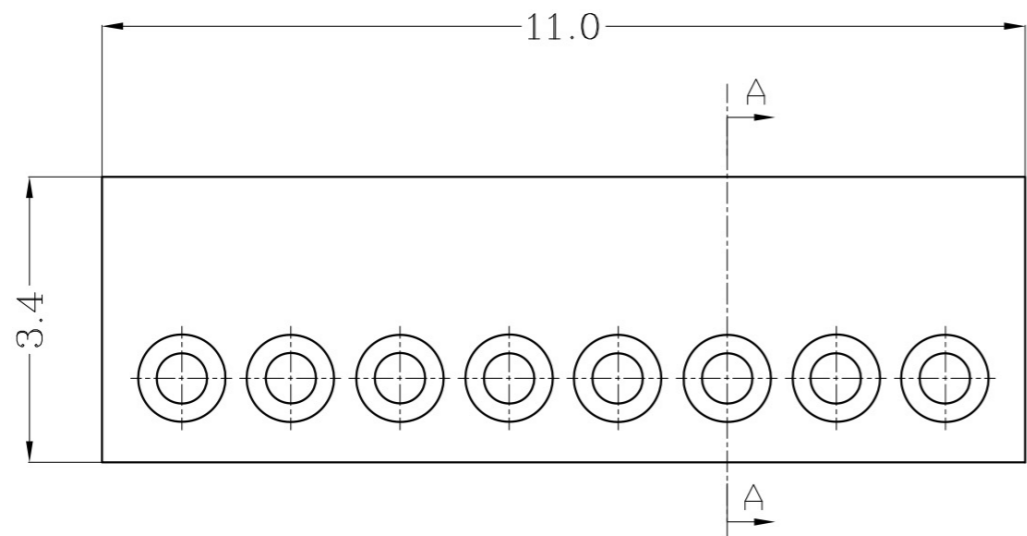
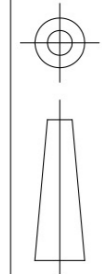
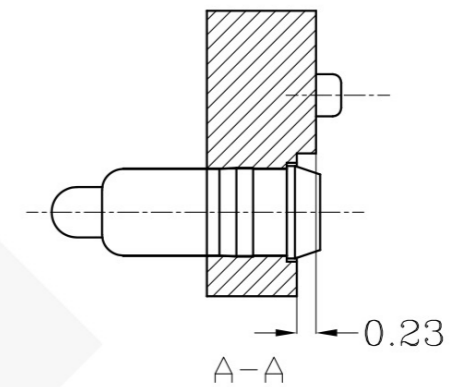
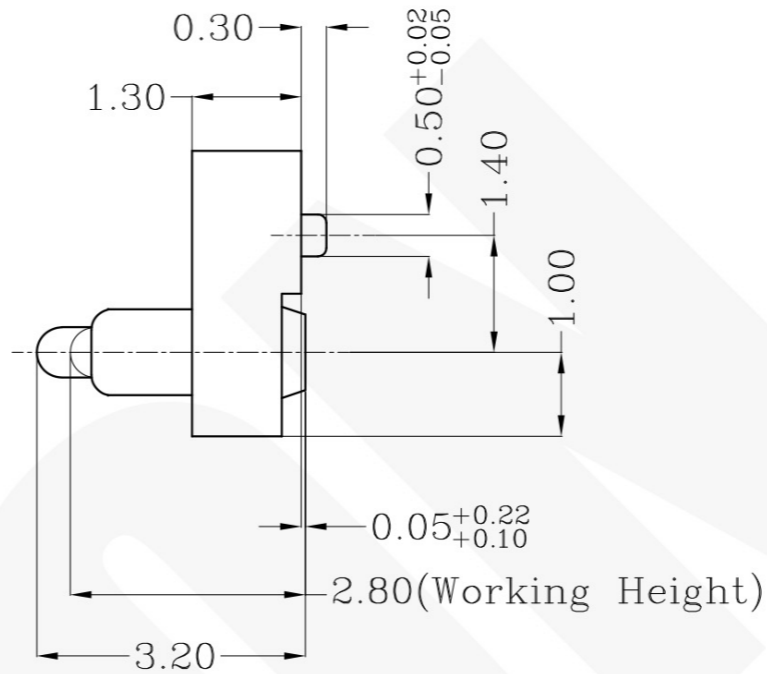


THIS INFORMATION IS CONFIDENTIAL AND IS DISCLOSED TO YOU ON CONDITION THAT NO FURTHER DISCLOSURE IS MADE BY YOU TO OTHER THAN PEXON PERSONNEL WITHOUT WRITTEN AUTHORIZATION FROM PEXON LTD.

DWG NO. C-100668



Recommended PCB Layout



USED ON

Notes:

- Material(材质):  
Housing: High temp.Plastic, UL94 V-0 Color Black.  
Contact: Brass  
Spring :Stainless steel wire
- Plating:  
1)Body: Min 0.1um Gold plating over min. 1.4um Nickel plating  
(Body: 镀金0.1um Min 镍底1.4um Min)  
2)Plunger: Min 0.4um Gold plating over min. 1.4um Nickel plating  
(Plunger: 镀金0.4um Min 镍底1.4um Min)
- Mechanical:  
Force: 70±20gf per pin at 0.4mm stroke  
Total stroke(总行程): 0.60mm  
Durability(寿命): 10,000 cycle min.
- Electrical(电性能)  
Contact resistance(接触阻抗): 30mOhm Max.  
Voltage rating(额定电压): 36V DC Max  
Current rating(额定电流): 2.0A

100668-8  
PART NUMBER

DIMENSIONS IN MM TOLERANCES UNLESS OTHER SPECIFIED		MATL	HT TR	FIN
0	= ±	1	—	— ✓
0.0	= ±0.15	DWN	APVD	Pexon
0.00	= ±0.10	Qin	REL	
0.000	= ±	CHK	REL	NAME POGO PIN CONNECTOR 8 POSITIONS PGC-1.5-3.2-R-8P-1.30PH
ANGLE:	±1°	SURF TEXTURE: 3.2/		
REMOVE BURRS. BREAK SHARP EDGES R0.05 MAX DO NOT SCALE PRINT		SCALE	DWG NO.	SHEET
		1:1	A4	1 OF 1
		C-100668		REV 1

LDC	-	NEW	2010/12/08
DIST	-	LTR	REVISION RECORD
		APVD	DATE



**PEXON**

E-mail: [sale@pinconnector.com](mailto:sale@pinconnector.com)

WhatsApp: +86-13361867201

[www.pinconnector.com](http://www.pinconnector.com)