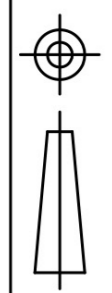
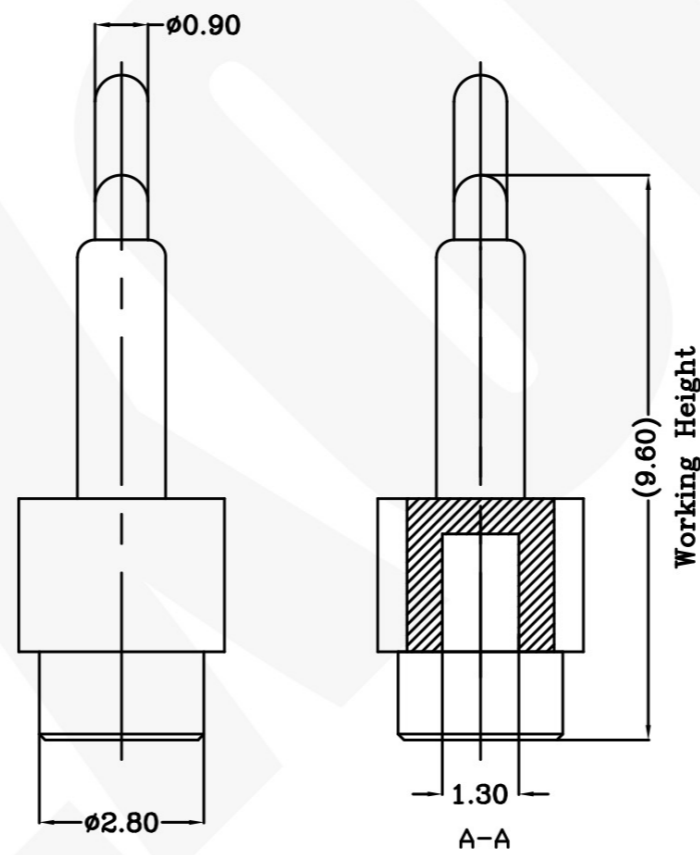
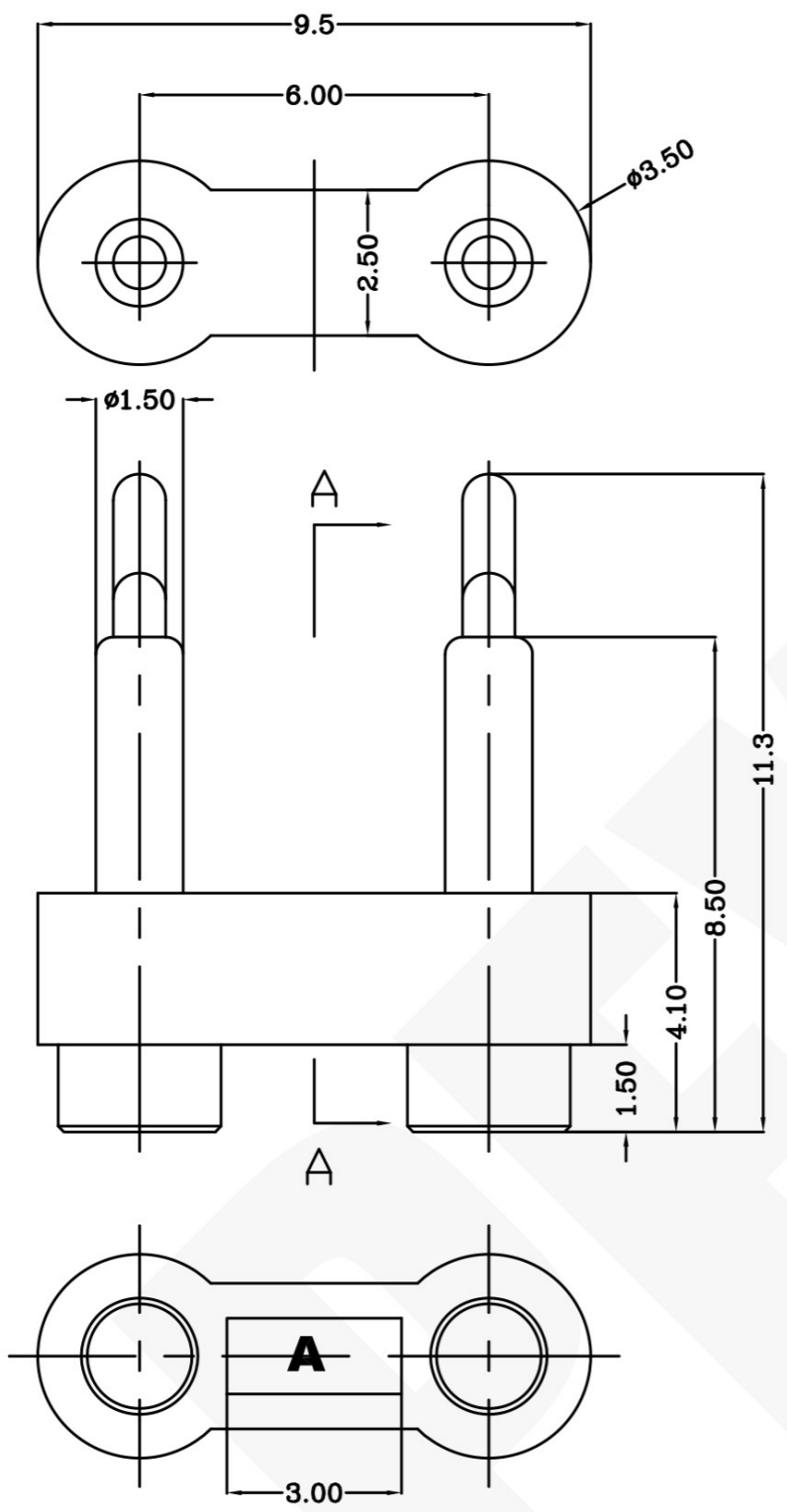


USED ON
-

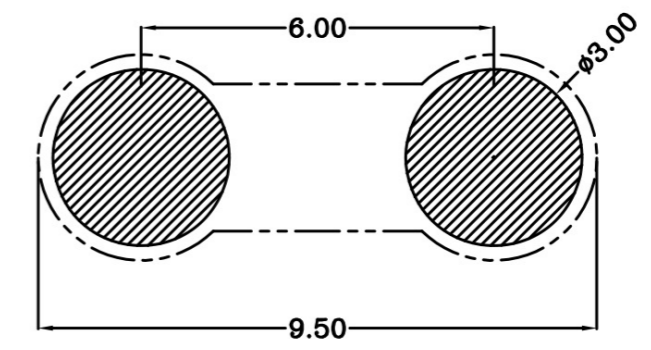
DWG NO.
C-100053



THIS INFORMATION IS CONFIDENTIAL AND IS DISCLOSED TO YOU ON CONDITION THAT NO FURTHER DISCLOSURE IS MADE BY YOU TO OTHER THAN PEXON PERSONNEL WITHOUT WRITTEN AUTHORIZATION FROM PEXON LTD.



Notes:
 1 Material, Housing: PA 4.6 (30% Glass Filled)
 Color Black.
 Contact: Brass
 2 Mechanical demands:
 Plating Plunger: 0.5Um Au over 1.5um Ni
 Plating Body: 0.125Um Au over 1.4um Ni.



Recommended PCB Layout

100053-2
PART NUMBER

DIMENSIONS IN MM TOLERANCES UNLESS OTHER SPECIFIED		MATL	HT TR	FIN
0	= ±-	1	-	-
0.0	= ±0.15	DWN	APVD	Pexon
0.00	= ±0.10	Benny	Lansing	
0.000	= ±	CHK	REL	
ANGLE: ±1°		Andy		
SURF TEXTURE: 3.2/√		NAME BATTERY POGO CONNECTOR 2 POSITIONS PGC-1.5-11.3-R-2P-6.0PH		
REMOVE BURRS. BREAK SHARP EDGES R0.05 MAX DO NOT SCALE PRINT		SCALE	DWG NO.	SHEET
		1:1	A4 C-100053	1 OF 1
				REV B

LTR	REVISION RECORD	APVD	DATE
	update remark		2007/09/07

LDC	-
DIST	-



PEXON

E-mail: sale@pinconnector.com

WhatsApp: +86-13361867201

www.pinconnector.com