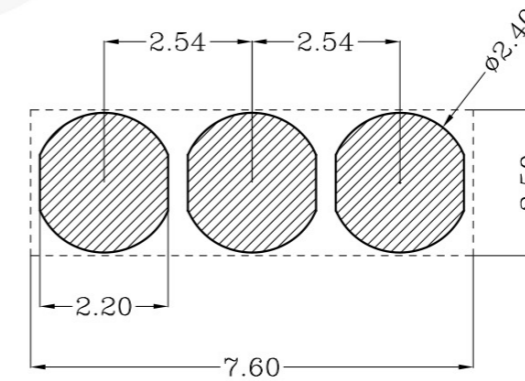
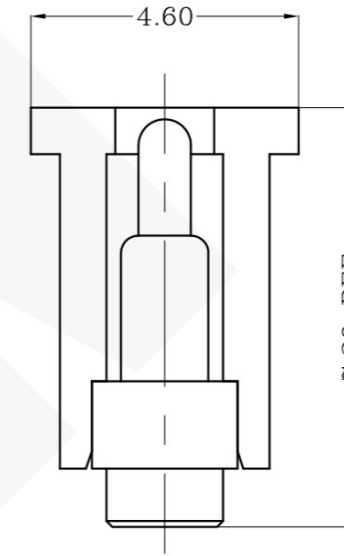
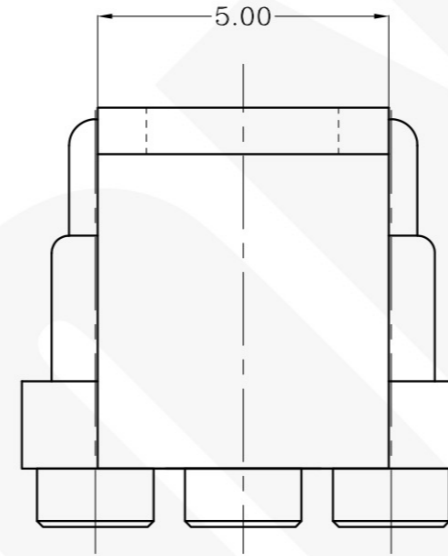
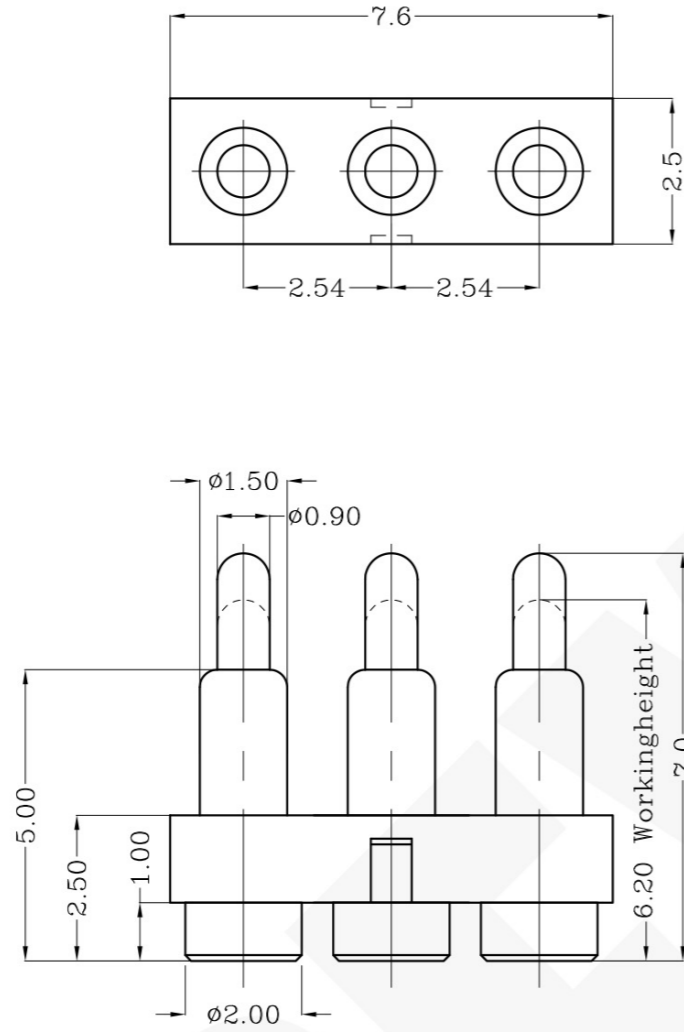


THIS INFORMATION IS CONFIDENTIAL AND IS DISCLOSED TO YOU ON CONDITION THAT NO FURTHER DISCLOSURE IS MADE BY YOU TO OTHER THAN PEXON PERSONNEL WITHOUT WRITTEN AUTHORIZATION FROM PEXON LTD.

DWG NO.  
C-100204



USED ON



Recommended PCB Layout

Notes:

- 1 Material, Housing: PA 4.6 (30% Glass Filled)  
Color Black.  
Contact: Brass
- 2 Mechanical demands:  
Plating Plunger: 0.4um Au over 1.4um Ni  
Plating Body: 0.1um Au over 1.4um Ni.

100204-3

PART NUMBER

DIMENSIONS IN MM  
TOLERANCES UNLESS  
OTHER SPECIFIED  
0 = ±-  
0.0 = ±0.15  
0.00 = ±0.10  
0.000 = ±  
ANGLE: ±1°  
SURF TEXTURE: 3.2/  
REMOVE BURRS. BREAK  
SHARP EDGES R0.05 MAX  
DO NOT SCALE PRINT

MATL	1	HT TR	-	FIN	- ✓
DWN	Qin	APVD		<h1>Pexon</h1>	
CHK		REL			
NAME	POGO CONNECTOR 3 POSITIONS				
SCALE	1:1	A4	DWG NO. C-100204	SHEET 1 OF 1	REV A

LDC	-
DIST	-

	NEW		2007/10/18
LTR	REVISION RECORD	APVD	DATE

4

3

2

1

D

C

B

A



**PEXON**

E-mail: [sale@pinconnector.com](mailto:sale@pinconnector.com)

WhatsApp: +86-13361867201

[www.pinconnector.com](http://www.pinconnector.com)