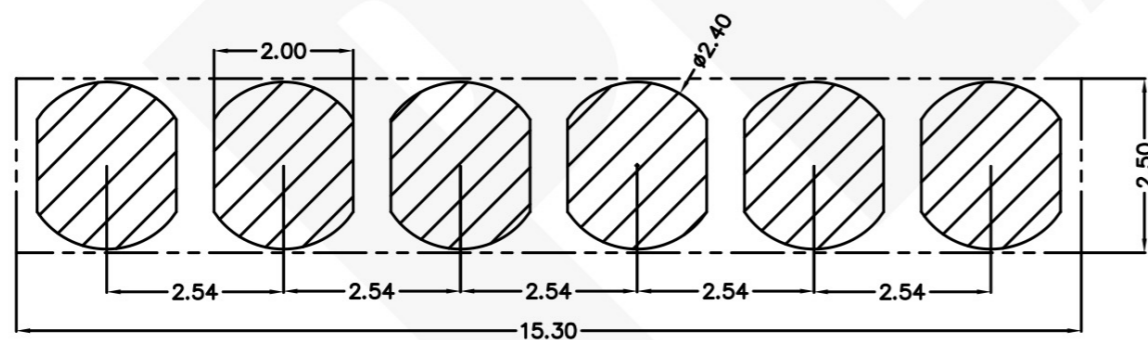
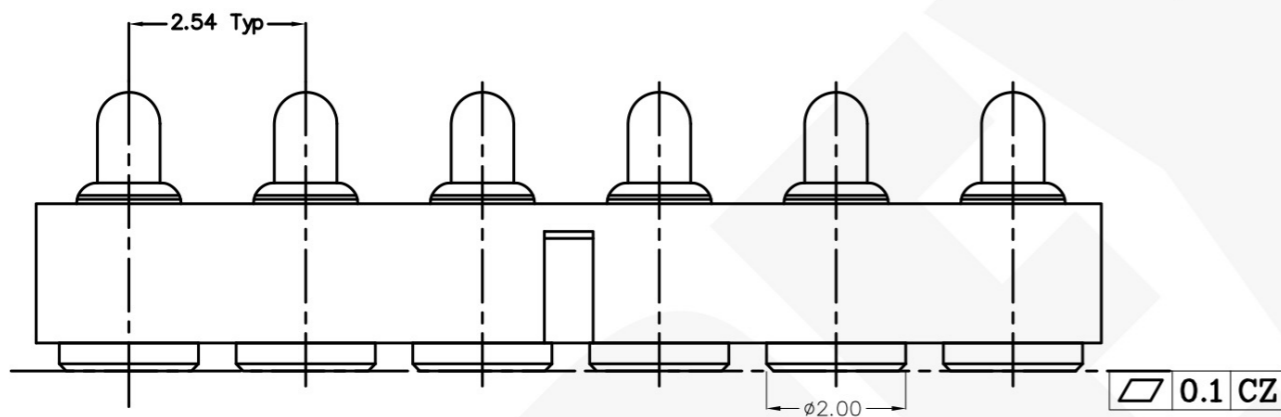
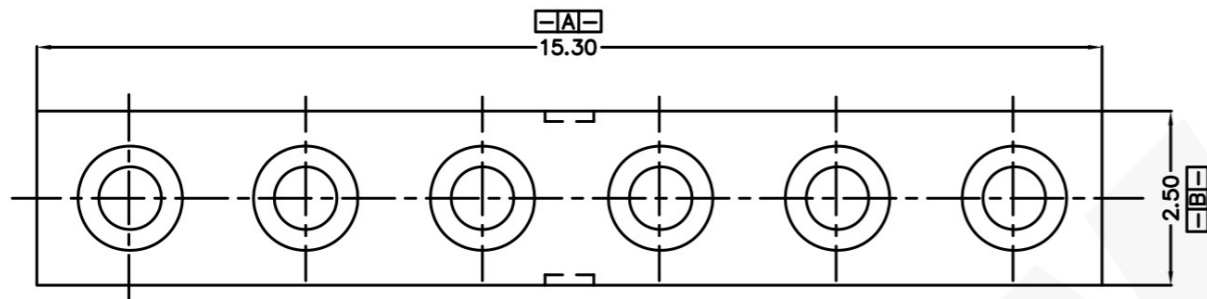
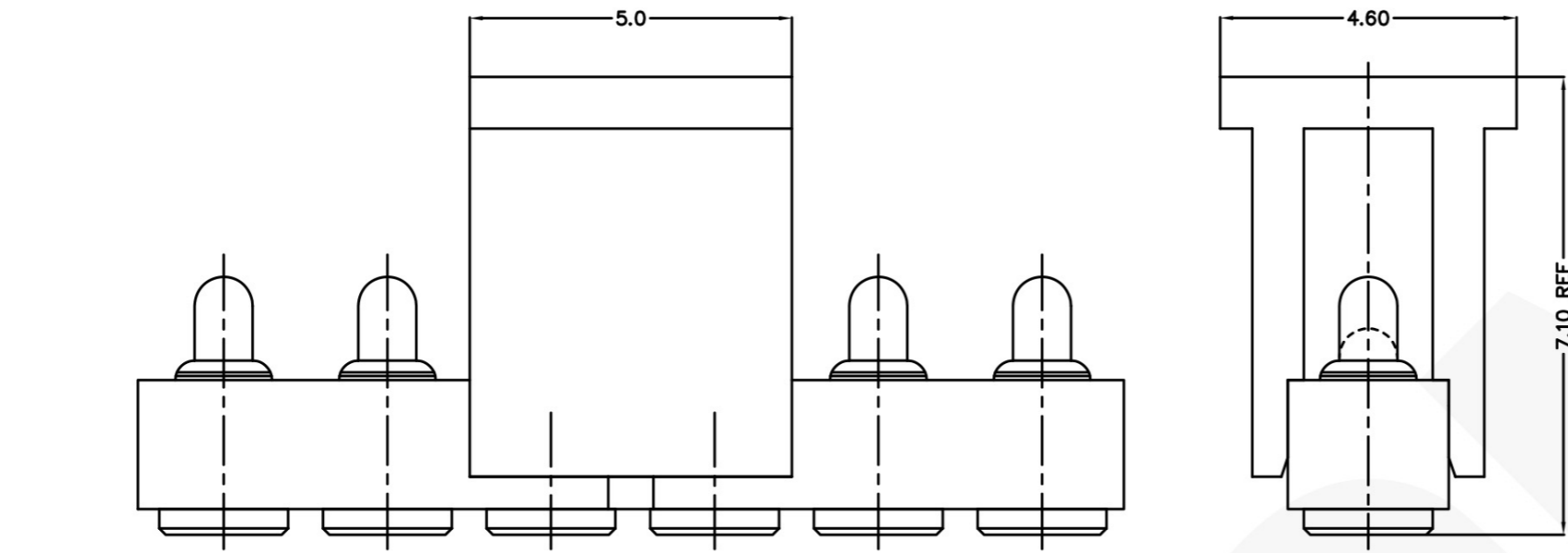
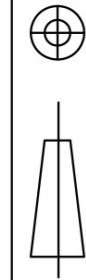
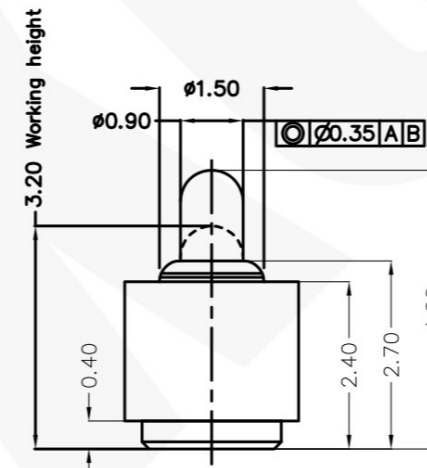


THIS INFORMATION IS CONFIDENTIAL AND IS DISCLOSED TO YOU ON CONDITION THAT NO FURTHER DISCLOSURE IS MADE BY YOU TO OTHER THAN PEXON PERSONNEL WITHOUT WRITTEN AUTHORIZATION FROM PEXON LTD.

DWN No.: C-100701



Recommended PCB Layout



Item	Part name	Q'ty/Ea'	Material	Finish
1	HSG	1	High temp.Plastic UL94 V-0 Color Black	_____
2	Body	6	Leaded Brass	Gold plating over Nickel plating
3	Plunger	6	Leaded Brass	Gold plating over Nickel plating
4	Spring	6	Stainless steel wire	_____
5	CAP	1	High temp.Plastic UL94 V-0 Color Black	_____

Table 1 Mechanical performance		
working height	3.20mm	80gf Min <2.1>
Durability	10000cycle	

Notes:

- 1 Dimensions shall be interpreted per ASME Y14.5M.
- 2 Mechanical performance(See the table 1)  
<2.1>The force is the average of forces obtained when plunger goes downwards and upwards.
- 3 Electrical performance  
Resistance: 50mOhm Max.Current rating: 2.0A
- 4 Packaging Spec.Comformance to EIA 481
- 5 RoHS compliant.

DIST  
---  
DIST  
---

Rev.	Revision record.	Date.
4		
3		
2		
1		

Top-Link  
Electronics Ltd.  
TOLERANCES UNLESS  
OTHER SPECIFIED  
0. = ± -  
0.0 = ± 0.15  
0.00 = ± 0.10  
0.000 = ± -  
Angle: ±1°  
SURF TEXTURE:  
REMOVE BURRS.  
BREAK SHARP EDGES  
R0.05 MAX.DO NOT  
SCALE PRINT.

Type	Customer drawing	Unit	mm	Weight
DWN:	Qin Zuozhong	APVD:		<b>Pexon</b>
CHK:		REL:		
Name	Customer drawing			
Scale	1:1	Size	A4	DWG No.
				C-100701
Page	1/1	Rev.	A	

100701-6

PART NUMBER



**PEXON**

E-mail: [sale@pinconnector.com](mailto:sale@pinconnector.com)

WhatsApp: +86-13361867201

[www.pinconnector.com](http://www.pinconnector.com)