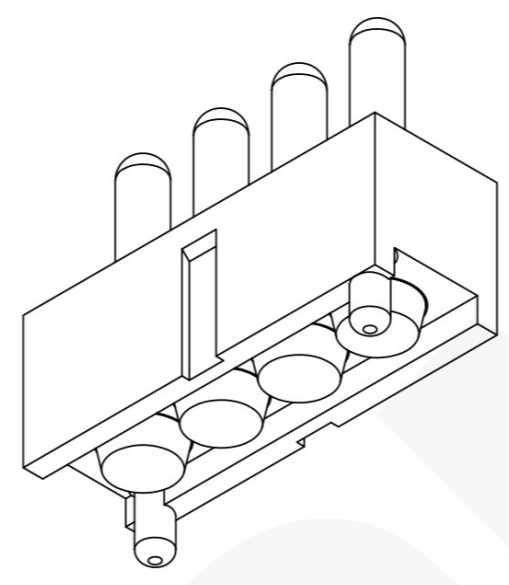
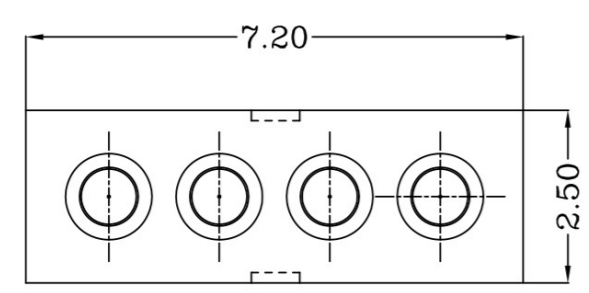


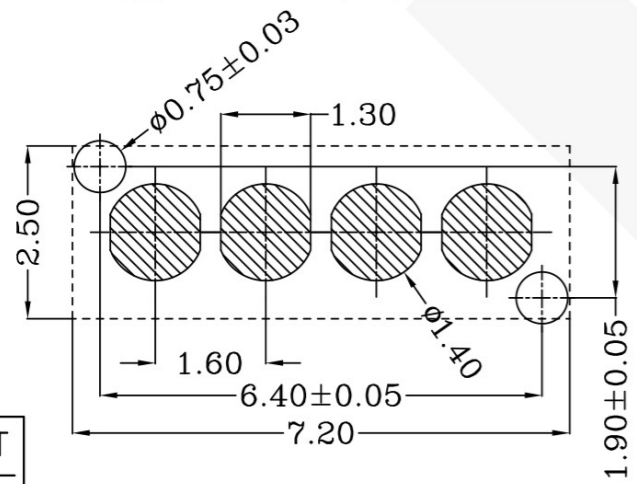
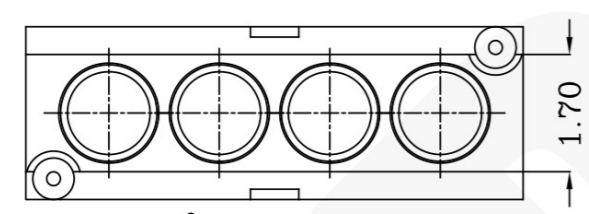
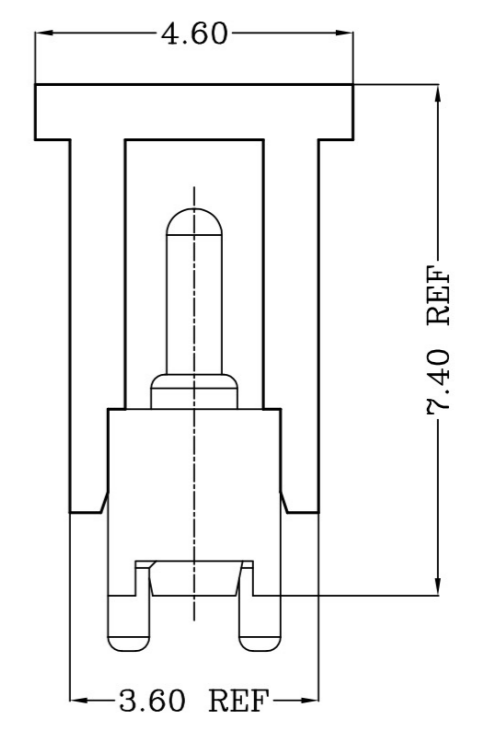
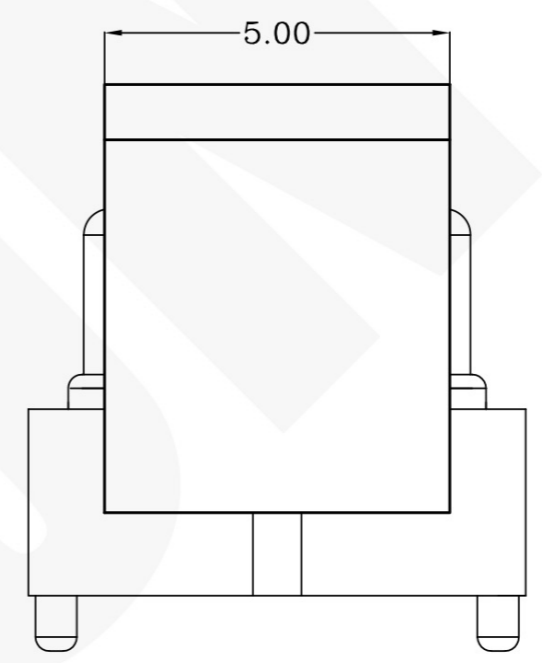
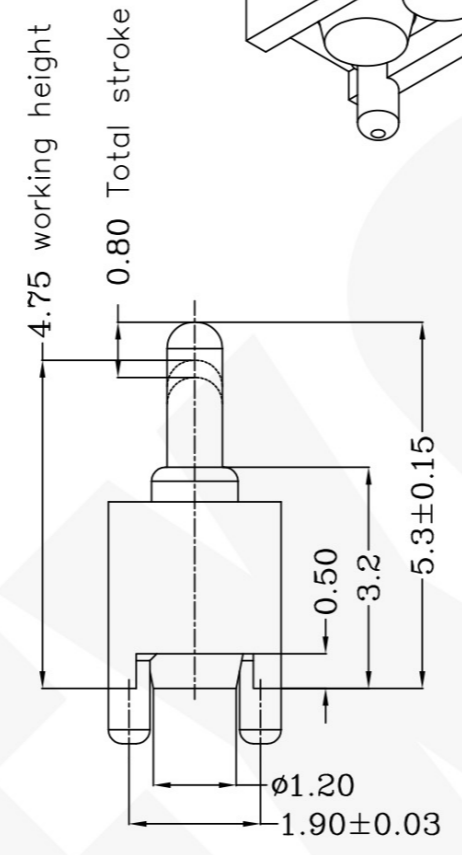
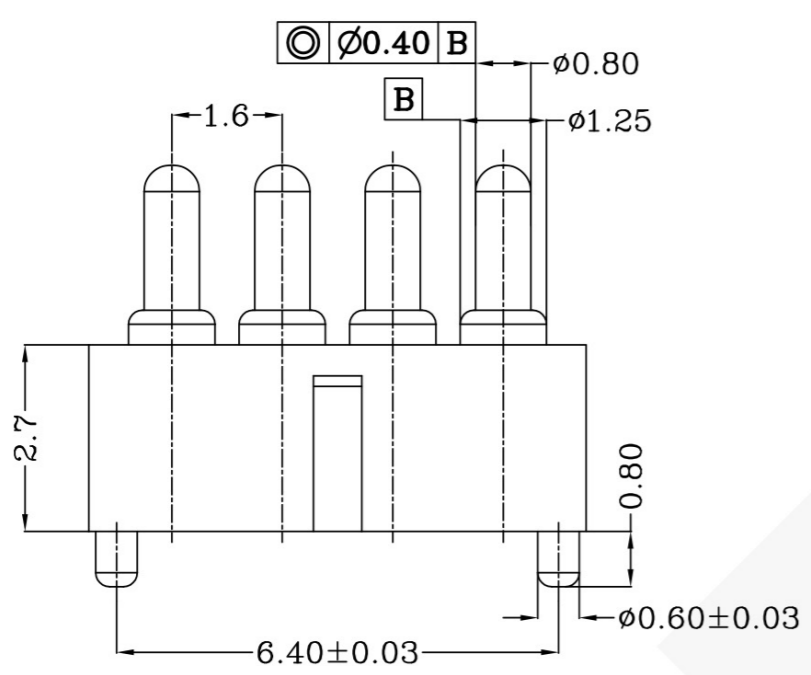
DWN No.: C-100705



THIS INFORMATION IS CONFIDENTIAL AND IS DISCLOSED TO YOU ON CONDITION THAT NO FURTHER DISCLOSURE IS MADE BY YOU TO OTHER THAN PEXON PERSONNEL WITHOUT WRITTEN AUTHORIZATION FROM PEXON LTD.



Item	Part name	Q'ty/Ea'	Material	Finish
1	HSG	1	High temp.Plastic UL94 V-0 Color Black	_____
2	Body	4	Leaded Brass	Gold plating over Nickel plating
3	Plunger	4	Leaded Brass	Gold plating over Nickel plating
4	Spring	4	Stainless steel wire	_____
5	CAP	1	High temp.Plastic UL94 V-0 Color Black	_____



working height	4.750mm	30 ⁺¹⁰ ₋₅ gf <3.1>
Durability	10000cycle	

- Notes:
- 1 Demensions shall be interpreted per ASME Y14.5M.
 - 2 Mechanical performance(See the table 1)
 - 3 <3.1>The force is the average of forces obtained when plunger goes downwards and upwards.
 - 3 Electrical performance
Resistance: 200mOhm Max.Current rating: 1.5A
 - 4 Packaging Spec.Comformance to EIA 481
 - 5 Operating temperature: -40°C~+85°C
 - 6 SMT Mounting
 - 7 To ensure the product reliability, the store and working environments must maintain clean and no contamination is permitted on the product.
 - 8 RoHS complaint.

100705-4
PART NUMBER

Rev.	Revision record.	Date.
	modification PCB	2011/06/22
	To the tolerances	2011/06/13
	Reduce pin high 0.2	2011/06/09
	Renewal	2011/06/09
4		
3		

Top-Link Electronics Ltd.		Type	Customer drawing	Unit	mm	Weight
TOLERANCES UNLESS OTHER SPECIFIED		DWN:	Qin Zuozhong	APVD:		PEXON
0. = ± -		CHK:		REL:		
0.0 = ± 0.15		Name				Customer drawing PGC-1.5-5.3-R-4P-1.6PH
0.00 = ± 0.10		Scale	1:1	Size	A4	DWG No.
0.000 = ± -				DWG No.	C-100705	Page
Angle: ±1°				Page	1/2	Rev.
SURF TEXTURE: REMOVE BURRS.				Rev.	5	
BREAK SHARP EDGES R0.05 MAX.DO NOT SCALE PRINT.						



PEXON

E-mail: sale@pinconnector.com

WhatsApp: +86-13361867201

www.pinconnector.com