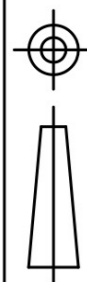
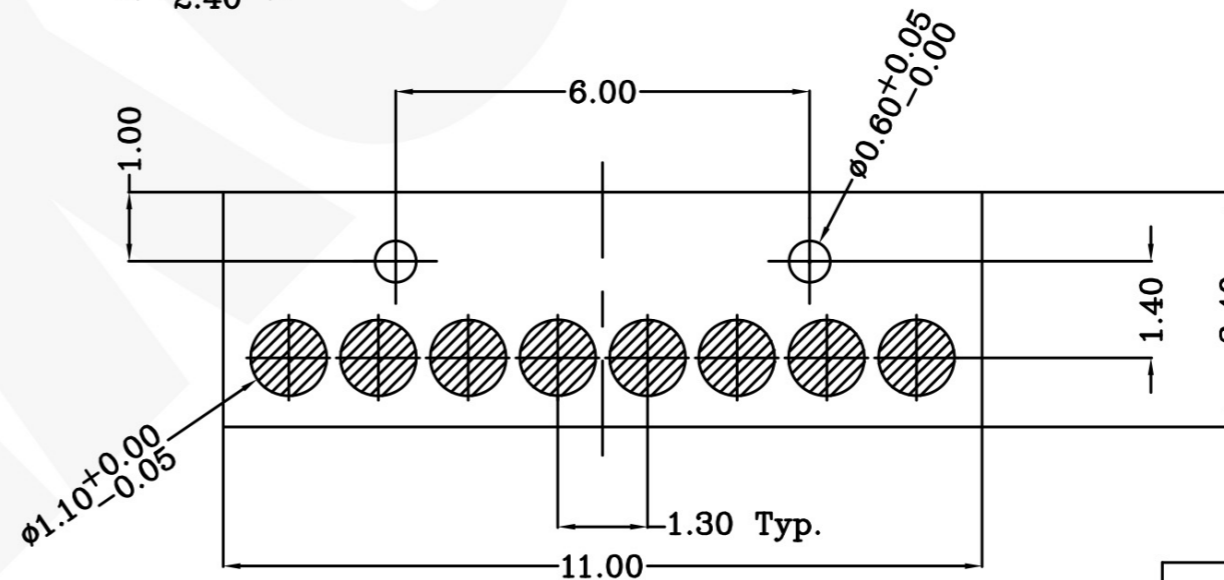
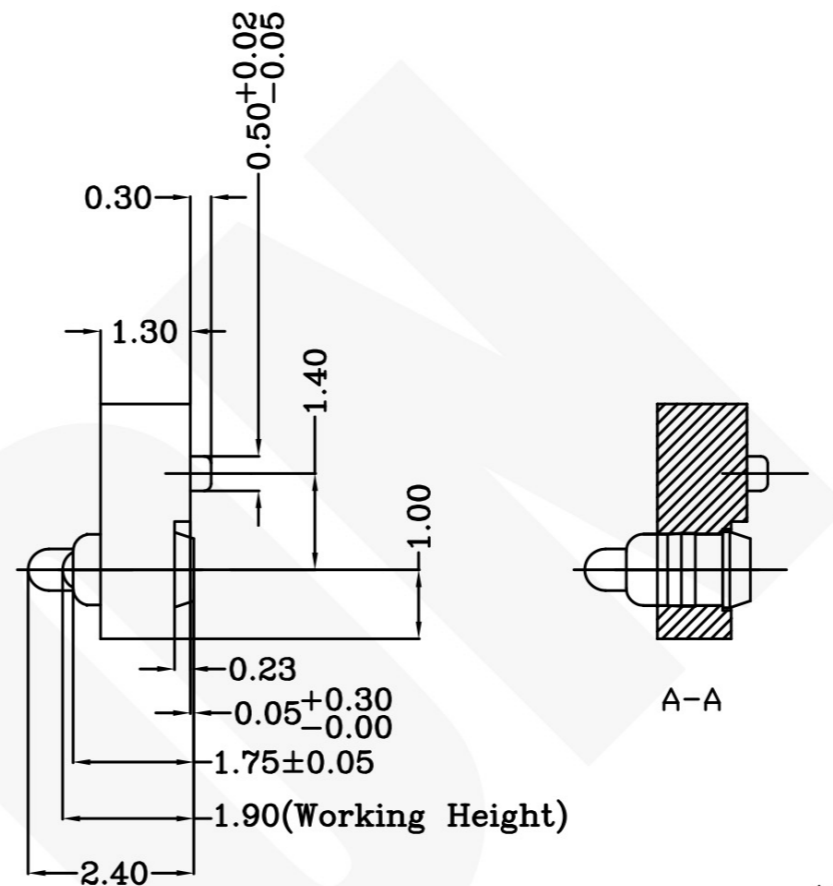
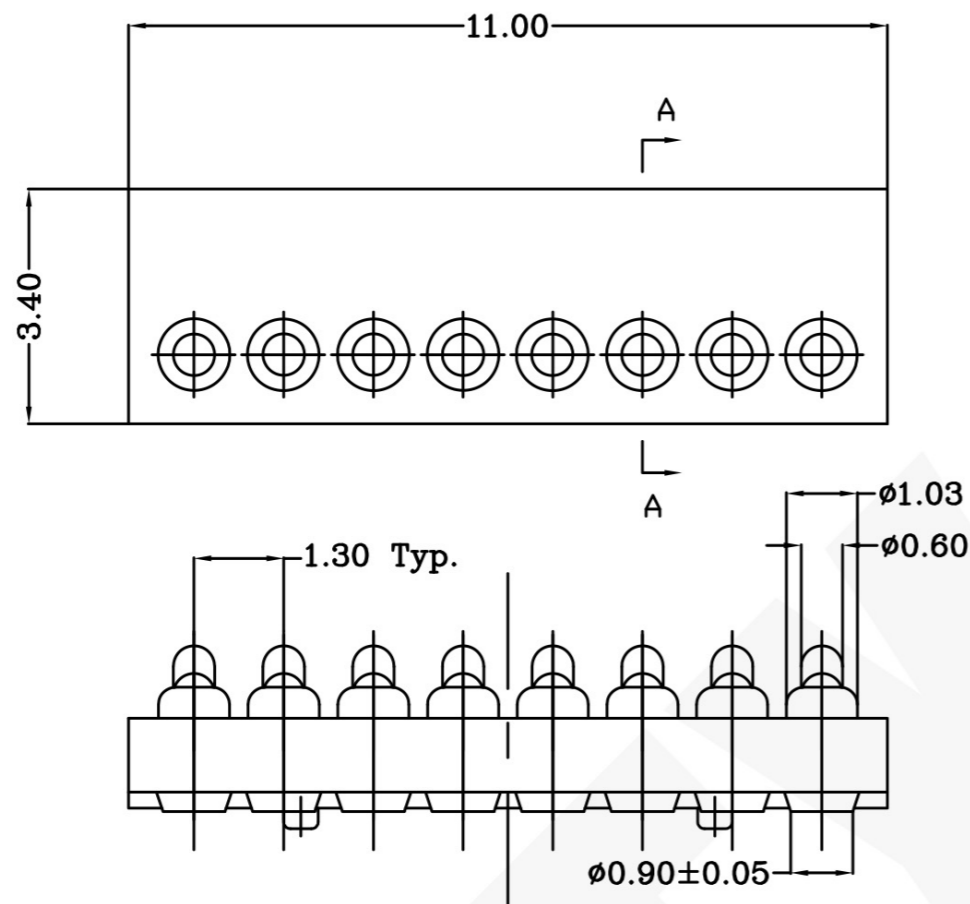


THIS INFORMATION IS CONFIDENTIAL AND IS DISCLOSED TO YOU ON CONDITION THAT NO FURTHER DISCLOSURE IS MADE BY YOU TO OTHER THAN PEXON PERSONNEL WITHOUT WRITTEN AUTHORIZATION FROM PEXON LTD.

DWG NO.
C-100190



USED ON
-



- Notes:
- Material, Housing: PA 46 (30% Glass Filled)
Color Black.
Contact: Brass
 - Mechanical demands:
Plating Plunger: 0.25um Au over 1.25um Ni
Plating Body: 0.10um Au over 1.25um Ni.
Full stroke 0.6 mm
Force: 70±20 gf at 0.50 mm stroke.

Recommended PCB Layout

100190-8

PART NUMBER

DIMENSIONS IN MM
TOLERANCES UNLESS
OTHER SPECIFIED
0 = ±-
0.0 = ±0.15
0.00 = ±0.10
0.000 = ±
ANGLE: ±1°
SURF TEXTURE: 3.2/
REMOVE BURRS. BREAK
SHARP EDGES R0.05 MAX
DO NOT SCALE PRINT

MATL	△ 1	HT TR	-	FIN	- ✓
DWN		APVD		PEXON	
CHK		REL			
NAME BATTERY POGO CONNECTOR 8 POSITIONS PGC-1.03-2.5-1R-8P-1.3PH					
SCALE	1:1	A4	DWG NO. C-100190	SHEET	1 OF 1
				REV	F

LDC	-
DIST	-

改HSG和公差		2007/12/20	
LTR	REVISION RECORD	APVD	DATE

4

3

2

1

D

C

B

A



PEXON

E-mail: sale@pinconnector.com

WhatsApp: +86-13361867201

www.pinconnector.com